

INSTALLATION INSTRUCTION

TLDL SERIES



WARNING

DISCONNECT POWER DURING INSTALLATION AND BEFORE SERVICING.
READ ALL INSTRUCTIONS COMPLETELY BEFORE STARTING INSTALLATION.

SAFETY PRECAUTIONS

Before starting the installation, disconnect the power by turning off the circuit breaker. Turning the power off by using the light switch is not sufficient to prevent electrical shock.

Fixture is for outdoor use and should not be used in areas of limited ventilation or high-ambient temperature. All work must be done by a qualified electrician.

Fixture should be ceiling mounted or wall mounted. Fixture should be located at least 12" away from any combustible materials.

Fixture should not be recessed.

INSTALLATION:

Supply wire: Min 70°C when connecting wire leads in junction box

Min 105°C when connecting wire leads inside the fixture.

Option A: ceiling mounting, Fig. 1

1. Loose 2 pieces of screw(4) and open the top J-box(1).
2. Locate J-box (1) with recessed junction box with proper screws
3. Make 3 wires(2) connection with power supply cords.
4. Rotate (3) housing to attach J-box (1) and tighten 2 pieces of screw (4)
5. Use silicon sealant to seal the gap between ceiling and J-box(1)

Option B: pendant mounting, Fig. 2

1. Loose 2 pieces of screw(4) and open the top J-box(1).
2. Screw OD3/4" steel pipe tightly and tighten the screw(5)
3. Power supply cords go through steel pipe(4) and make wire connection with 3 wires inside of fixture properly
4. Rotate (3) housing to attach J-box (1) and tighten 2 pieces of screw (4)

WARNING:

1. This product must be installed in accordance with the applicable installation code by a person familiar with the construction and operation of the product and the hazards involved.
2. Fixtures are available into 100 to 277 volts or 347 to 480 volt input. Please verify the label of fixture before wiring fixture to field wires.

IMPORTANT: To weather-proof your outdoor installation, be sure to seal all housing (Mounting, Conduit, Plugs, Etc.) with silicone sealant.

TROUBLE SHOOTER - CHECK LIST IF LIGHT DOES NOT WORK:

Check Your Power Source.

Check Electrical Connections.

Check To Insure Proper Seating Of Lamp.

Check If Lamp Burned Out.

Fig. 1

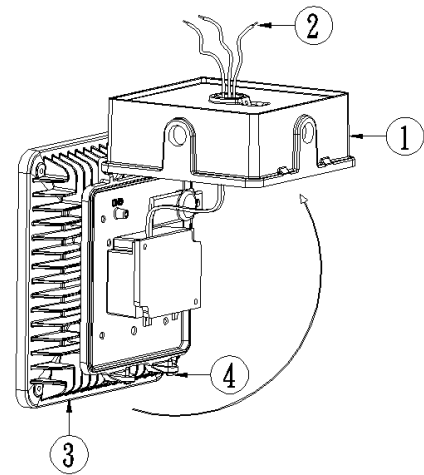


Fig. 2

