

Installation Instructions

TLHBUS300 High Bay

Important

READ INSTRUCTIONS CAREFULLY BEFORE INSTALLING. KEEP THIS INSTRUCTIONS FOR FUTURE REFERENCE

Fixtures must be wired in accordance with the National electrical code and all applicable local codes. Proper grounding is required for safety.

THIS PRODUCT MUST BE INSTALLED IN ACCORDANCE WITH THE APPLICABLE INSTALLATION CODE BY A QUALIFIED ELECTRICIAN WHO IS FAMILIAR WITH THE CONSTRUCTION AND OPERATION OF THE PRODUCT AND THE HAZARDS INVOLVED.

WARNING: Risk of fire or electric shock. High bay Light installation requires knowledge of luminaires and electrical systems. If not qualified, DO NOT try to install. Please contact an electrician.

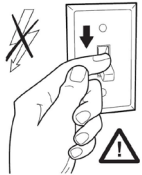
WARNING: Risk of fire or electric shock. Suitable for wet locations. Make sure the power is off permier to install.

WARNING: Risk of fire or electric shock. Suitable for non-insulated surface and frame. DO NOT cover fixture with insulation liner or similar material.

WARNING: DO NOT install in unstable, loose or breakable surfaces.

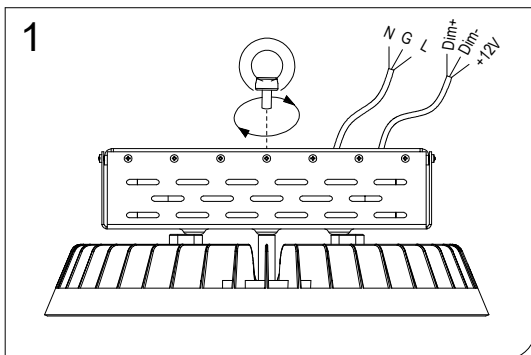
WARNING: DO NOT let objects impact or exert force on the surface of the fixture.

Installation and Electrical Connection

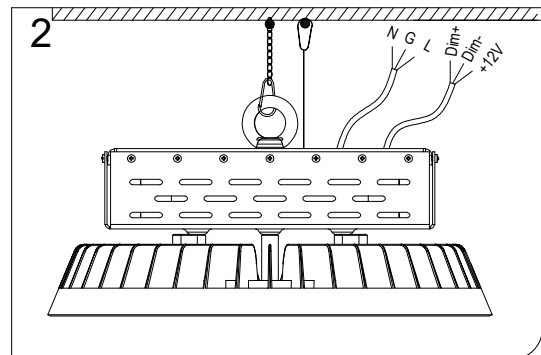


WARNING
RISK OF FIRE, ELECTRIC SHOCK OR PERSONAL INJURY
Before installation, turn power off.

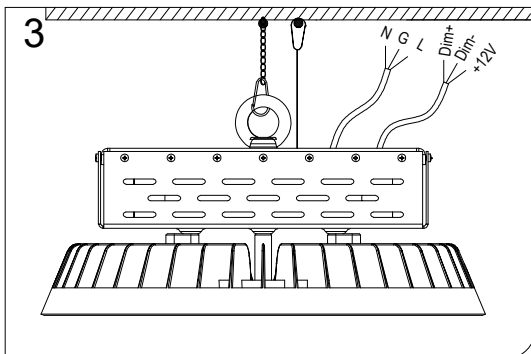
1 The specific steps of installation (Hook ring)



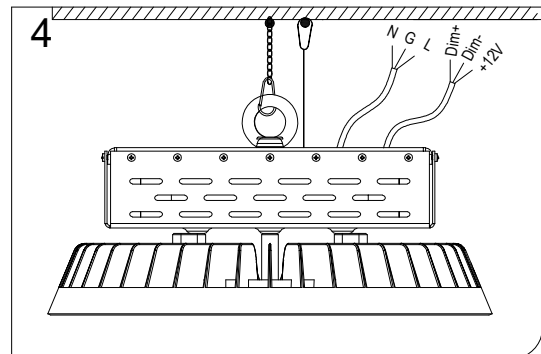
1. Take the fixture and hook ring out from cartoon box, tighten hook as arrow, fixed the hook screw.



2. Connect chain and safety wire to the installation location, adjust the lamp high and level.



3. Connect the AC cable, L for the line, N for neutral, G for the ground. Adjust the light by positive and negative pole butt can.

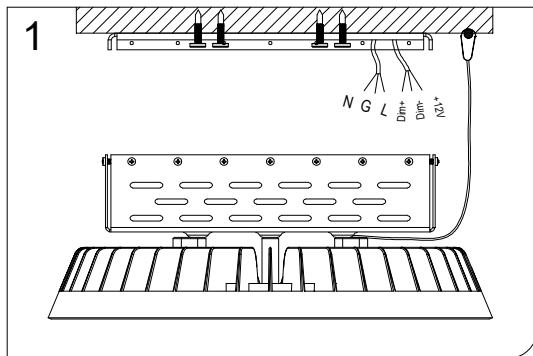


4. After the installation of the whole lamp, it can be powered on

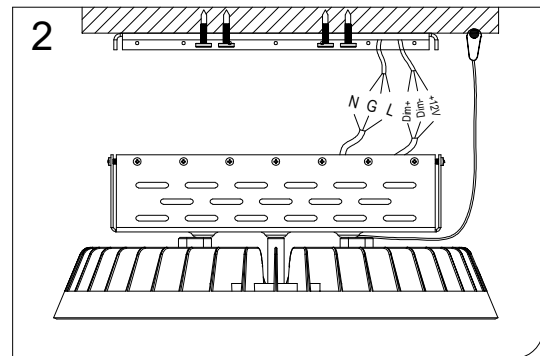
Installation and Electrical Connection



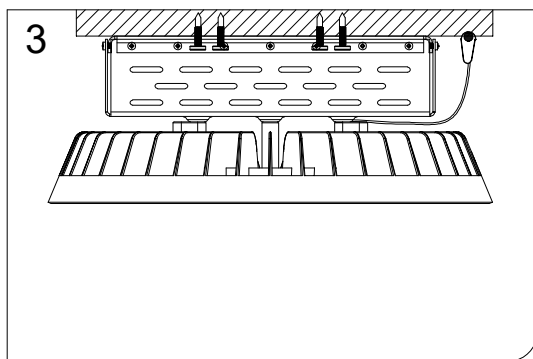
The specific steps of installation (Install direct on top)



1. Remove the power box cover from the lamp, lock the power box cover to the ceiling with screws, and also lock the safety rope to the ceiling.



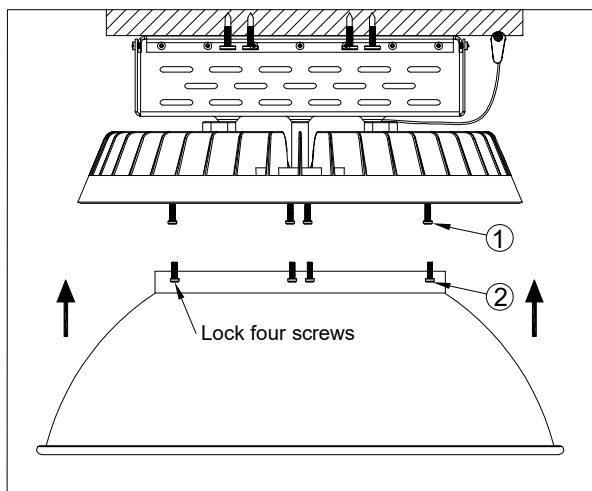
2. Connect the AC line and the adjustable light, and then lock the screws around the power box.



3. After all the screws are locked, it can work normally after power on.



Optional aluminum reflector installation



- ① Remove the four screws from the lens before installation
- ② Lock the reflector according to the hole where the screw is removed