



LED DOWNLIGHT SLIM TUNABLE



LED DOWNLIGHT SLIM TUNABLE

INSTALLATION INSTRUCTIONS

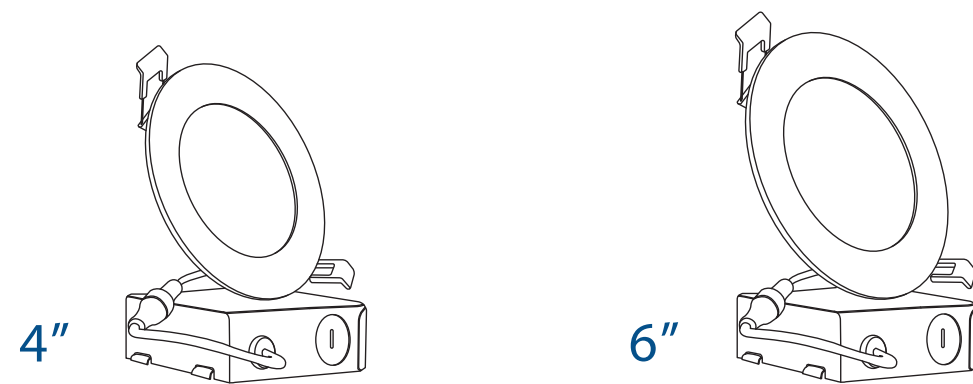
INSTALLATION INSTRUCTIONS

⚠ WARNING RISK OF ELECTRIC SHOCK. DISCONNECT MAIN POWER AT FUSE OR CIRCUIT BREAKER BEFORE INSTALLING OR SERVICING THE FIXTURE.

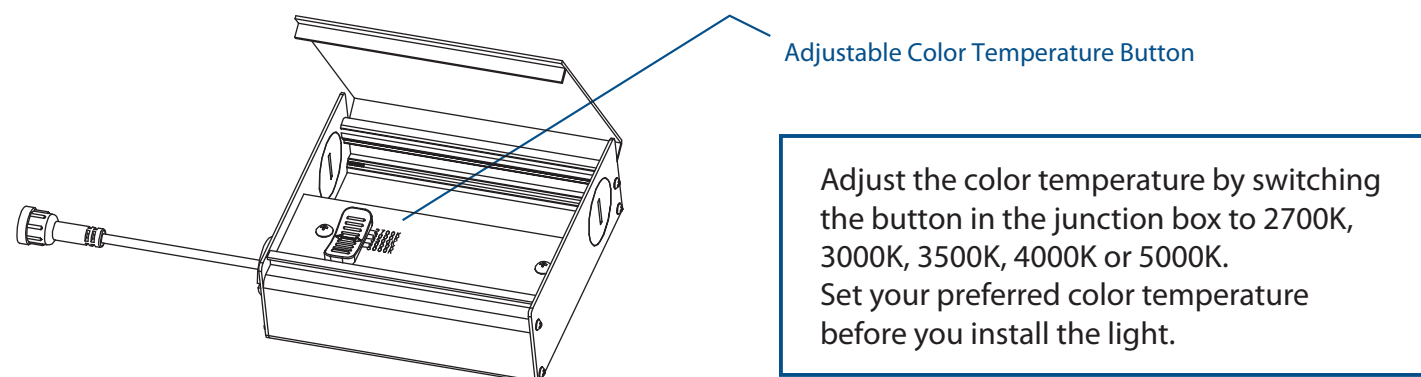
I SAFETY INSTRUCTIONS

1. Read instructions carefully before attempting to install this light.
2. Disconnect power before installing or servicing.
3. This light must be wired in accordance with the local codes and ordinances.

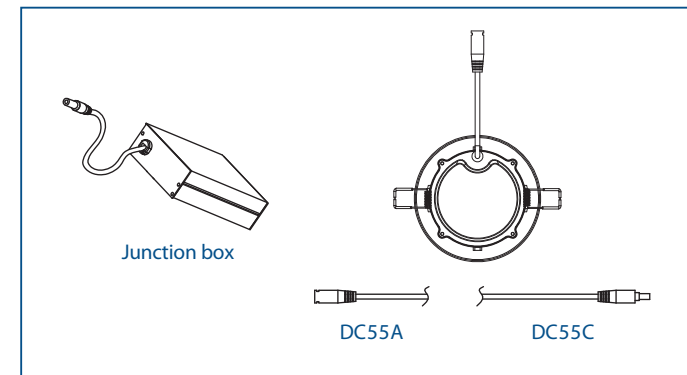
II DOWNLIGHT SLIM MODELS



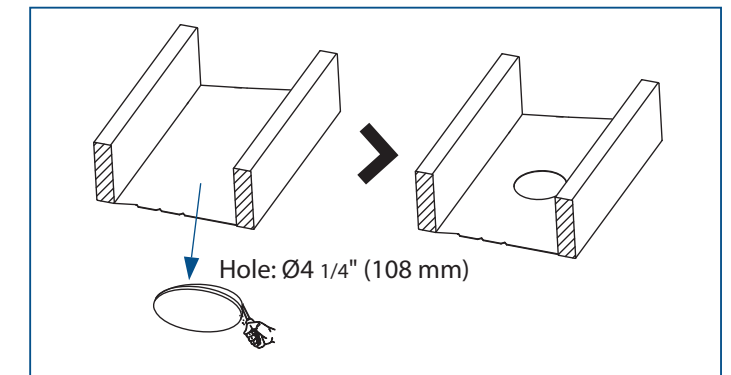
III COLOR TEMPERATURE SETTING



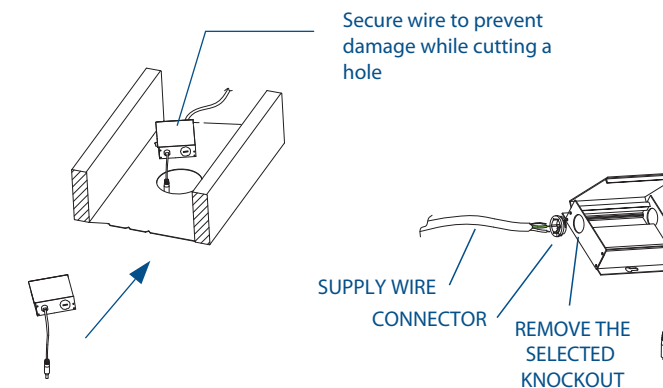
IV INSTALLATION INSTRUCTIONS



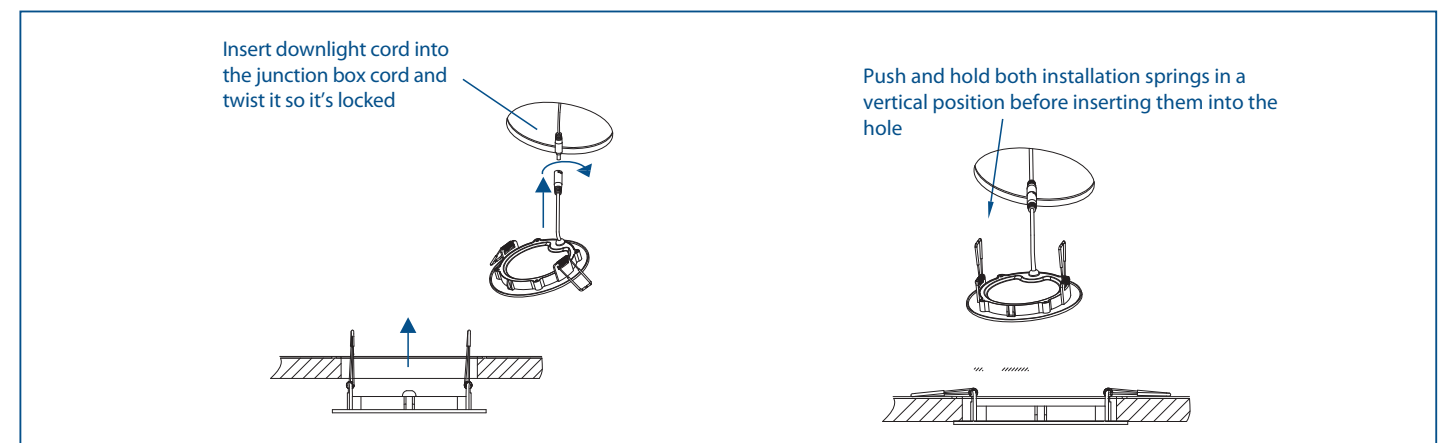
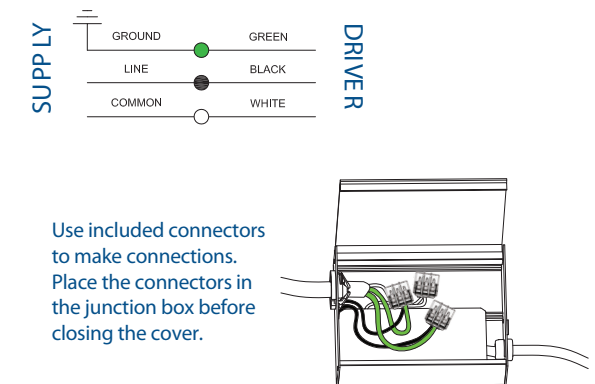
1. Included downlight elements.



2. Select a desired method for cutting the hole. Do not cut the hole bigger than the plate opening.



3. Secure junction box to the frame plate.



4. Connect the power cords and insert the downlight into the frame.