

Installation Instructions

Hazardous location light (TLFEP)

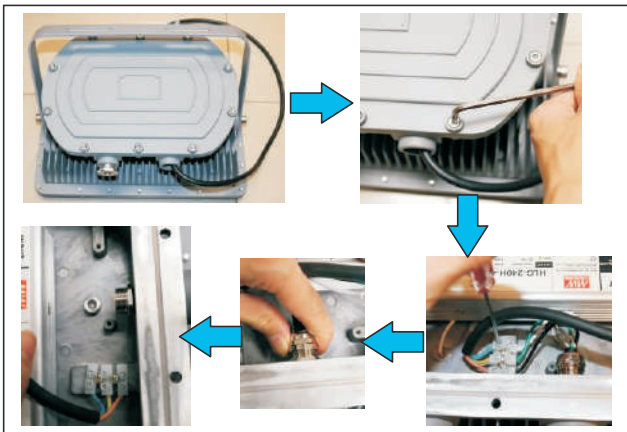
Important

READ INSTRUCTIONS CAREFULLY BEFORE INSTALLING. KEEP THIS INSTRUCTIONS FOR FUTURE REFERENCE.
 Fixtures must be wired in accordance with the National electrical code and all applicable local codes. Proper grounding is required for safety. THIS PRODUCT MUST BE INSTALLED IN ACCORDANCE WITH THE APPLICABLE INSTALLATION CODE BY A QUALIFIED ELECTRICIAN WHO IS FAMILIAR WITH THE CONSTRUCTION AND OPERATION OF THE PRODUCT AND THE HAZARDS INVOLVED.
Warning: Risk of fire or electric shock. High bay Light installation requires knowledge of luminaires and electrical systems. If not qualified, DO NOT try to install. Please contact an electrician.
Warning: Risk of fire or electric shock. Suitable for wet locations. Make sure the power is off premier to install.
Warning: Risk of fire or electric shock. Suitable for non-insulated surface and frame. DO NOT cover fixture with insulation liner or similar material.
Warning: DO NOT install in unstable, loose or breakable surfaces.
Warning: DO NOT let objects impact or exert force on the surface of the fixture.

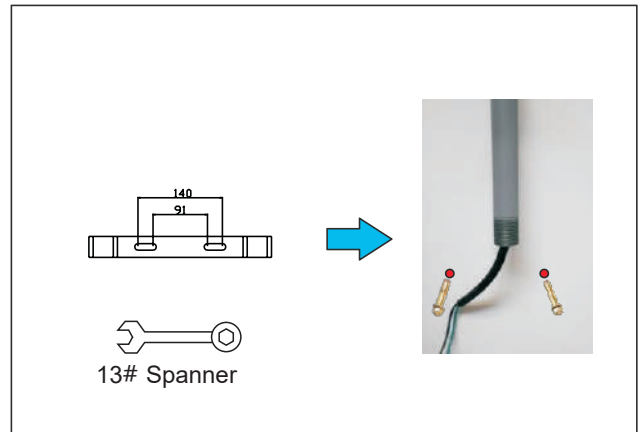
Installation Steps (For Class I Div. 1 Group C, D location)



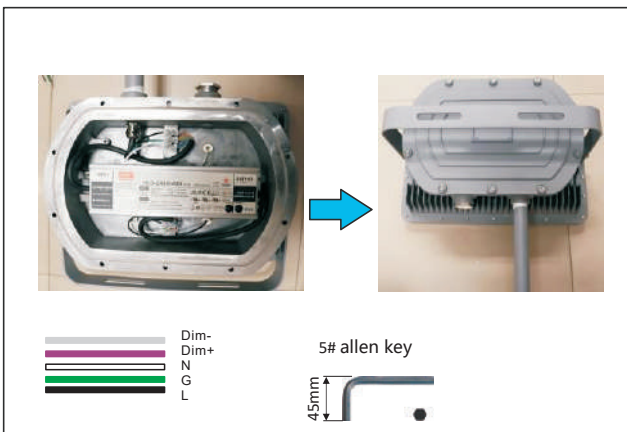
⚠ WARNING
 Risk of fire, Electric shock or personal injury
 Before installation, turn off power!



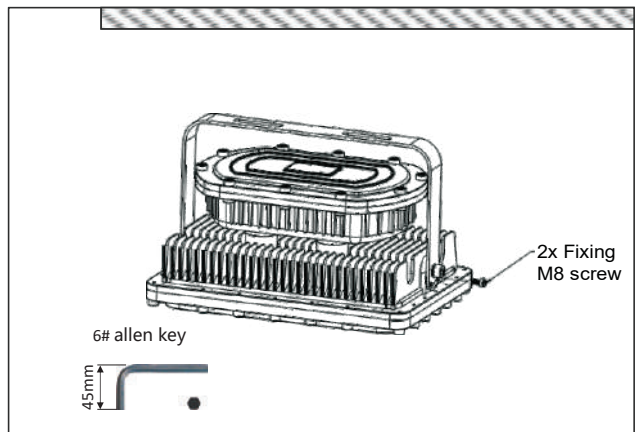
1. Dis-assemble the light as above pictures, ready for Class I Div. 1 Groups C, D .



3. Drill 2x 10mm hole as the distance 120mm, fixing Ø10 expanded screws and bracket on ceiling.



3. Join the light to hazardous location cable pipe, connect the AC the Live wire, Null wire and grounding wire, Dim+ to purple, Dim- to gray. Fix the light on the ceiling or wall. close the power enclosure.



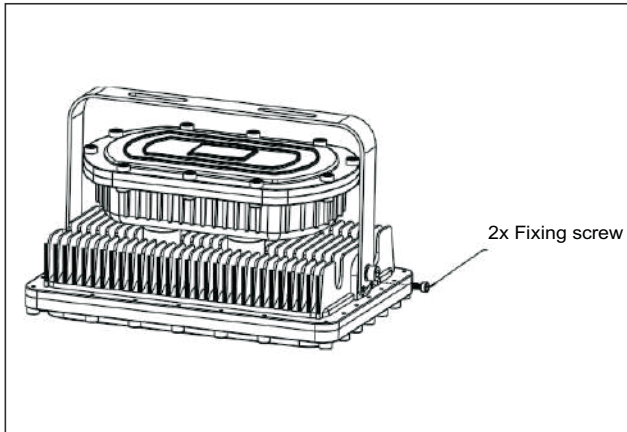
4. Install the fixture to ceiling or wall, adjust the light angle, and tighten the fixing screw, turn on the power to test the light is work.

Installation Steps (For Class I Div. 2 Group A, B, C, D location)

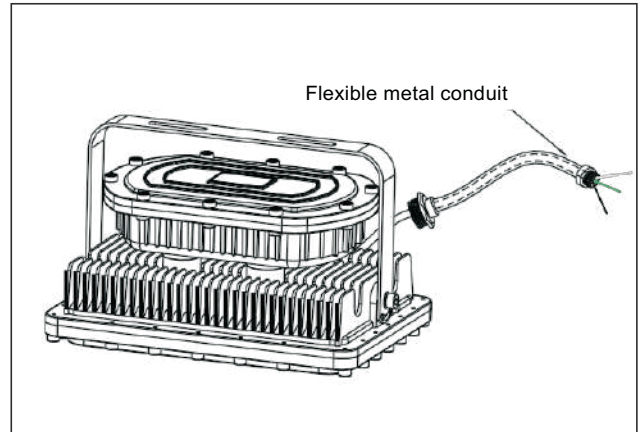


WARNING

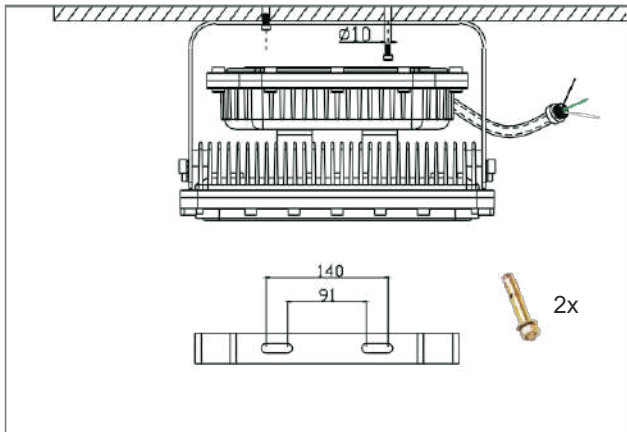
Risk of fire, Electric shock or personal injury
Before installation, turn off power!



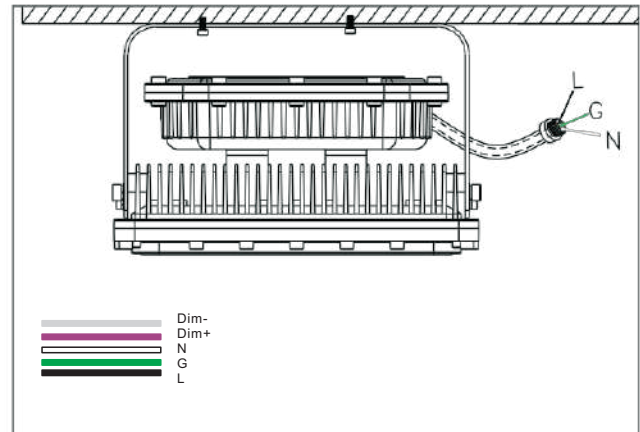
1. Take the fixture and accessory out from cartoon box, tighten 2x angle holder screw as Fig.1.



2. Through the cable to flexible metal conduit and tighten it with the fixture.



3. Drill 2x hole as Fig.3, the distance can be 91~140mm, fixing $\varnothing 10$ expanded screws and bracket on ceiling.



4. Connect the AC cable, Black cable joins to Live wire, white cable joins to Null wire, green cable joins to grounding. Dim+ to purple, Dim- to gray.