

Instruction Manual

TLVPE/LED Explosion proof light



After-Sales Service Card

Record: _____
 Address: _____
 Telephone: _____
 Factory No.: _____

After-Sales Service Record

Date	Service Record	Name

TECHNICAL PARAMETER

Product Model: TLVPE

Light Source: LED

Power Rating: 36W/56W

Voltage Rating: AC100-277V/50-60Hz

Power Factor: 0.95

CCT: 4000K/5000K/6000K

CRI : 70

Ex-marks : Class I, Division 2, Groups A, B, C and D
Class II, Division 2, Groups F and G
Class III

LED lifespan: 50000h

IP Rating : IP66

Size of Input Cable: Dia.Φ10mm ,AWG16

MATERIALS & FEATURES

- 1.High quality aluminum 6063 housing & impact-resistant PC cover, maximum efficacy, minimum glare.
2. Elegant design with robust structure.
- 3.Famous brand driver with over-temperature protection, high reliability, efficiency > 90%.
4. Energy-efficient technology - up to 85% energy savings over HID fixtures.
5. Versatile mounting options, easy installation, low maintenance.
6. Professional light distribution design, uniform and comfortable lighting.
7. Surge protection: 4KV.

APPLICATIONS

1. Applies to explosive gas and combustible dust areas in petroleum industry, chemical industry, military industry, metallurgical industry, power generation industry etc.
2. Applies to hazardous locations of zone1 and zone2 with explosive gas.
3. Applies to hazardous locations of zone21, zone22 with combustible dust.

CAUTION

In order to ensure a perfect quality of the product and a safe usage.Please kindly follow the instructions.

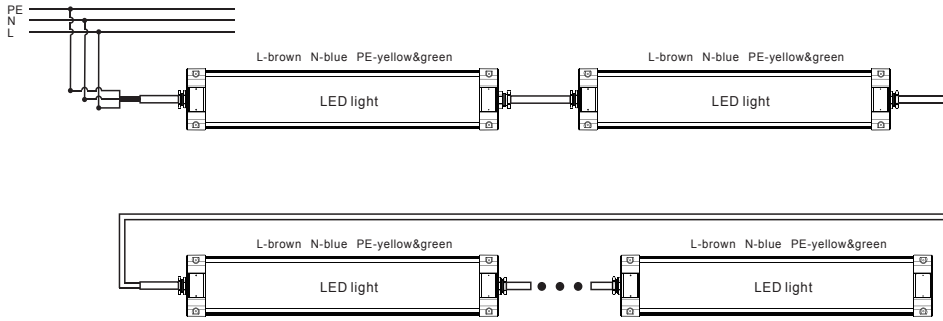
- 1.Before opening the package,please check if there's damage or defect during transportation, if damage occurs,please don't use it and inform your supplier immediately.
- 2.Should the product be found damaged in any way,please keep it in package and contact your supplier in time.
3. Please do not attempt to use a damaged product.
- 4.The product should be installed,dismantled and maintained by a qualified electrician;Suppliers don't take charge of any problems or damages that occur due to mishandling such as an operation not permitted in this instruction.
- 5.Choose an install place where can withstand 10 times the weight of the product to ensure a solid installation.
- 6.Don't cover the fixtures with flammable materials.
- 7.Please check the local voltage in accordance with the product requirements before using the product
8. Don't connect cables with powered-on;make sure a correct connection and no short circuit checked with instrument before powered-on.
- 9.Make sure NO extra force or stress on aluminum frame to avoid deformation.
- 10.Misuse of, or changes to the fixture shall nullify the guarantee.
- 11.When a lamp is to be cleaned, make the power off and let it cool down completely.Clean the fixture with a soft cloth and a standard PH neutral detergent. Stainless steel finishing should be maintained regularly.
- 12.Exclusively replaced by the manufacturer or his service agent or the similar qualified person in order to avoid a hazard.
- 13.Relamping only can be done when the power is off and the lamp is completely cooled down.

This instruction applies to this model product only,for more information,please contact our staff.

WARRANTY

Thank you for purchasing our products. All of our products conform to ISO9001 quality control standards. We provide a five-year warranty for whole light, a three-year warranty for power supply.

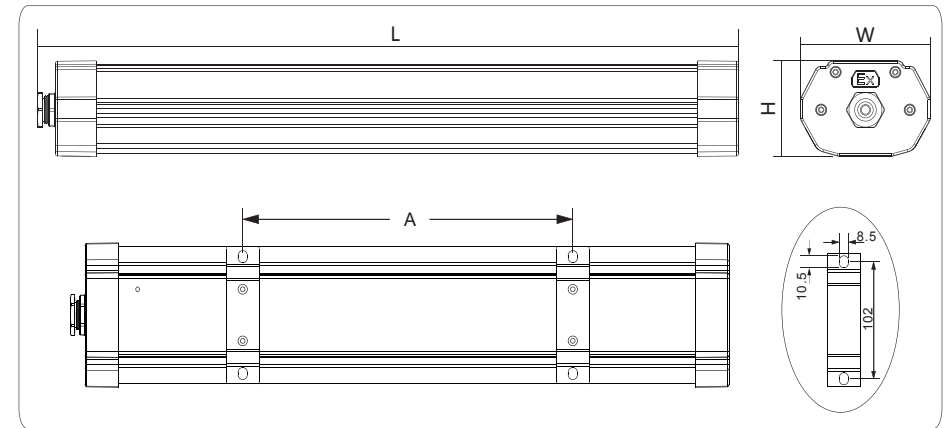
2. Wiring of the LED Explosion Proof light with linkable.



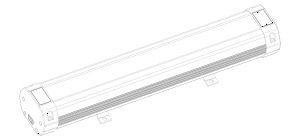
To determine the main line can withstand the load

3. More connection mode, please contact our staff.

DIMENSION

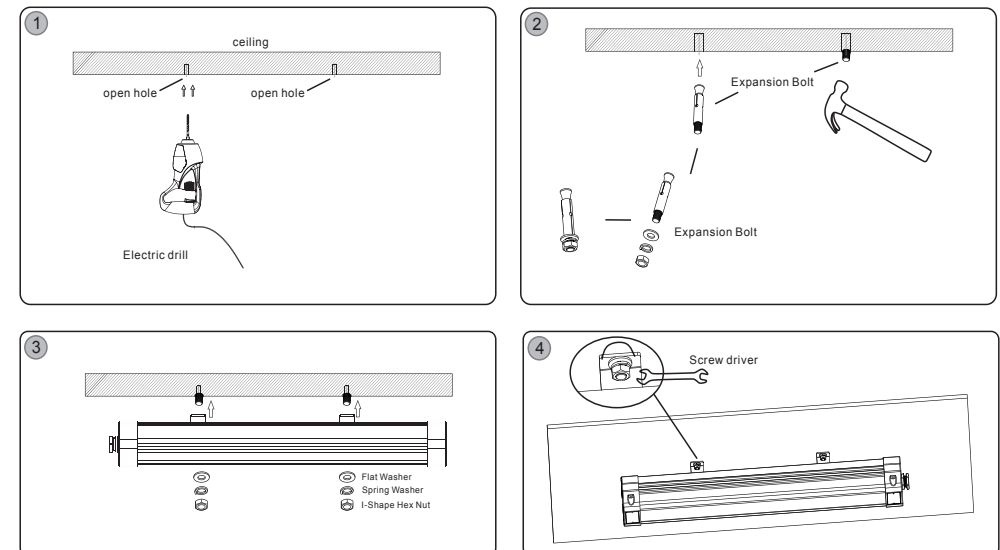


Power	L(mm)	W(mm)	H(mm)	A(mm)	Weight(Kg)
36W	681	126	88	300	4.3
36W	1281	126	88	600	6.8
56W	1281	126	88	600	6.8

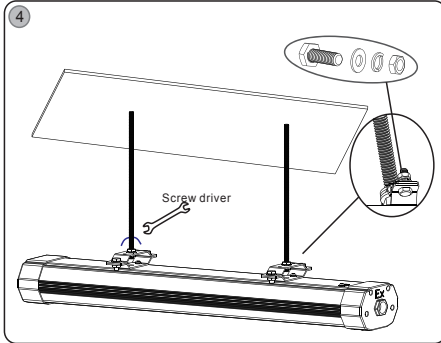
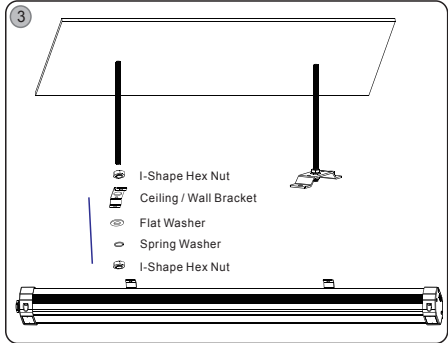
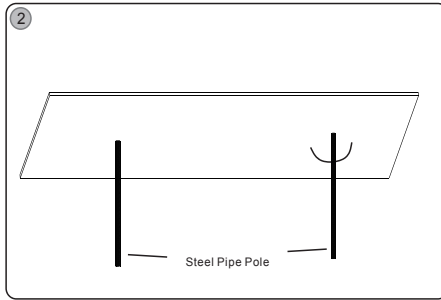
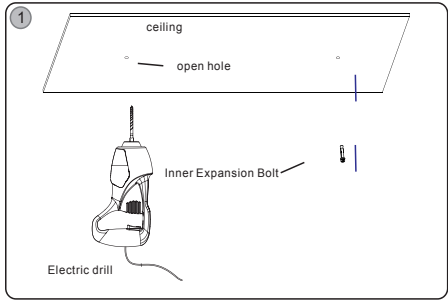


MOUNTING INSTRUCTIONS

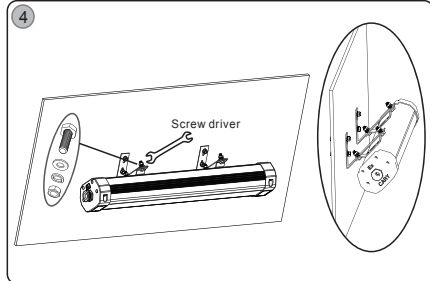
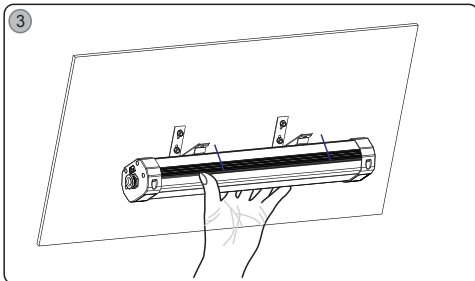
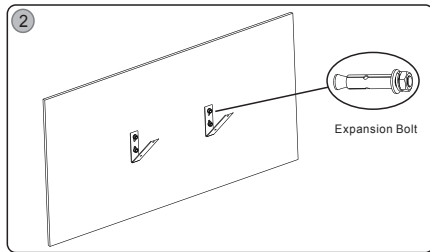
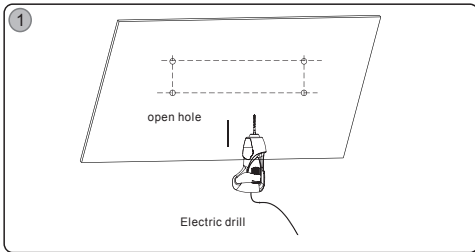
1-Ceiling Mount(Standard)



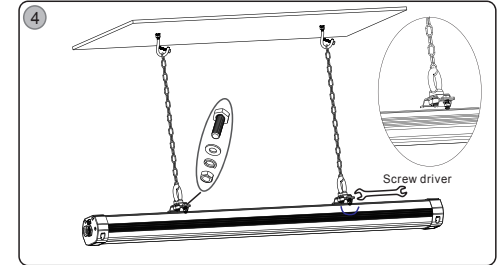
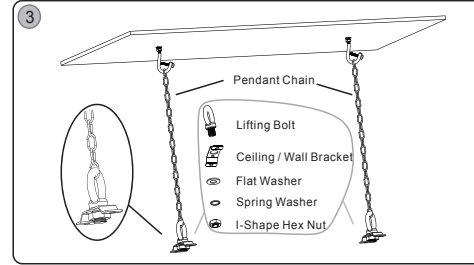
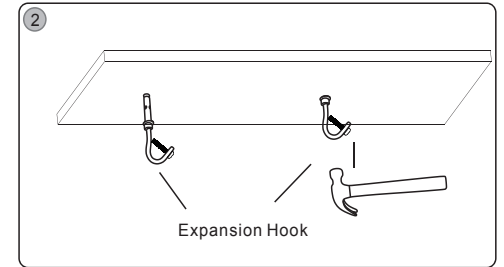
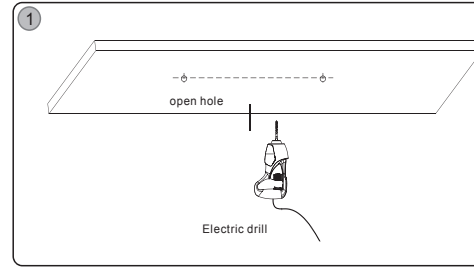
2-Pendant Pole Mount(Optional)



3-Wall Mount(Optional)

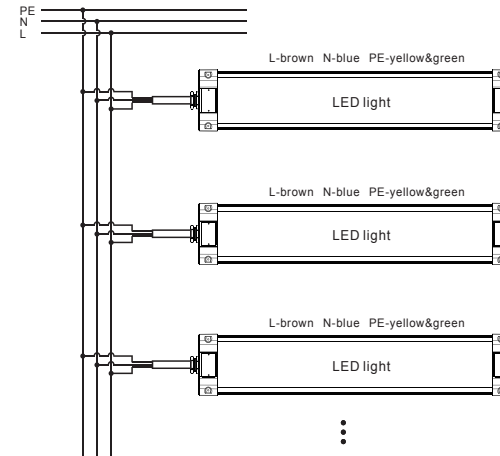


4-Pendant Chain Mount(Optional)



SYSTEM CONNECTION DIAGRAM

1.Wiring of the LED Explosion Proof light with normal(Standard)



To determine the main line can withstand the load