

LED Corn Light Instruction

LED Corn Light Instruction



Can not use the electric generator to test the LED lamp. Please avoid using the led fixture in environment where there is smoke, sulfur, and corrosive substances. But if used in such environment, make sure the led fixture is well protected by an enclosed lampshade whose dimension is no less than below size, and whose material is either glass or semi-glass, semi-metallic. Surface of the lampshade shall not have any covering which prevents heat dissipation.

Power (W)	27	36	45/54	63/80	100	120
Volume (CM)	38*20*20	38*20*20	42*21*21	42*23*23	44*24*24	44*26*26

Product features:

- ◆ Single CCT mode, without CCT adjustable function.
- ◆ Two dimming options are available for the Single CCT mode 27-120W, continuous dimming or segmented dimming.
- ◆ Can be with Clear or frosted PC cover.
- ◆ Single CCT 27-120W lamp can be with AC120-347V internal driver.
- ◆ Motion sensor or PIR sensor are optional for the Single CCT mode 80-120W.
- ◆ 27-120W Sealant pouring for whole drive and lamp plastic housing.
- ◆ Long lifespan and good heat dissipation. No fan.
- ◆ Direct replacement for Metal Halide, easy Installation.
- ◆ Fits many different fixtures to replace traditional lamps.

Application:

Widely used in supermarket, warehouse, garage, home, office, hotel, hospital, school, street, garden etc.



Installation Instructions:

Warning: Please make sure the power is off before installation.

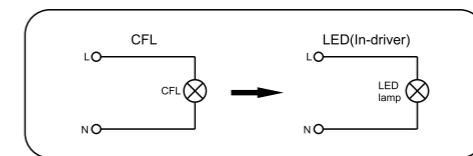
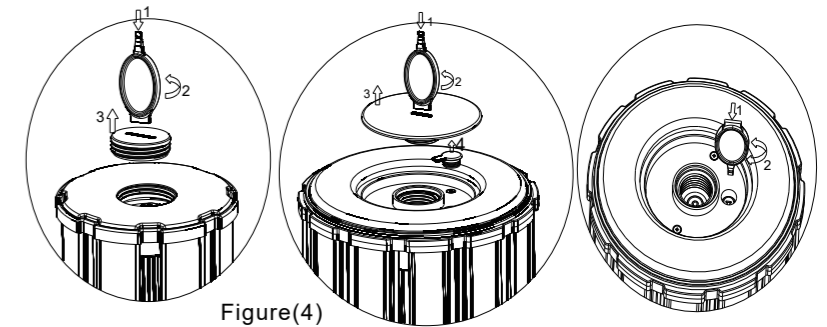
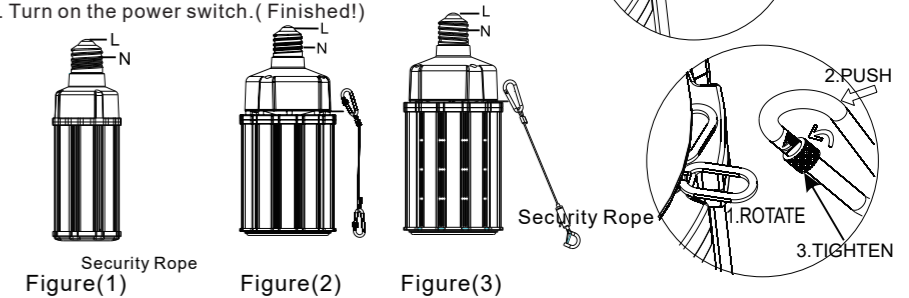
1. Turn off the power switch.
2. Screw off the CFL or MHL or HPS and so on, see Figure (5)(6).
3. Take out led corn light and screw on, see Figure (1)(2)(3).

Figure (1)(2) (3):AC internal driver,

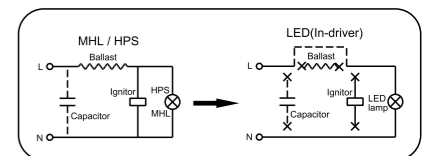
(Note: Pls make sure to take off the ballast before installing led corn light, otherwise the ballast will produce the resonance of high voltage and makes led corn light breakdown.)

4. If security rope provided, pls fix the rope on the lamp with hand, then fix the wire of other end on the shell, see Figure(2) (3).
5. Lamp CCT and dimming can be adjusted after removing the top plastic cover with a screwdriver. Figure(4) (7)

6. Turn on the power switch. (Finished!)



Figure(5)

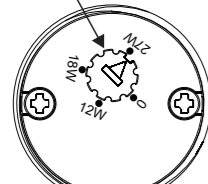


Figure(6)

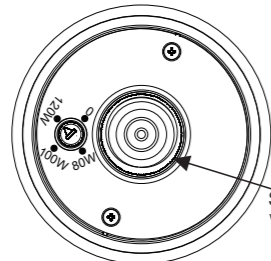
CCT adjustable and dimming mode diagram:

1.Continuous dimming

DIMMING KNOB



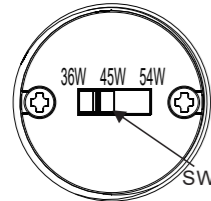
Single CCT
27-63W



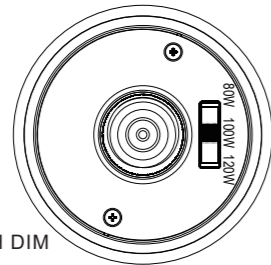
Single CCT80-120W

Sensor interface
with 0-10V continuous
dimming function

2.Segmented dimming



Single CCT
27-63W



Single CCT80-120W-S

SWITCH DIM

Rated wattage	Dimming mode
27W	12W 18W 27W
36W	18W 27W 36W
45W	27W 36W 45W
54W	36W 45W 54W
63W	36W 54W 63W
80W	54W 63W 80W
100W	63W 80W 100W
120W	80W 100W 120W

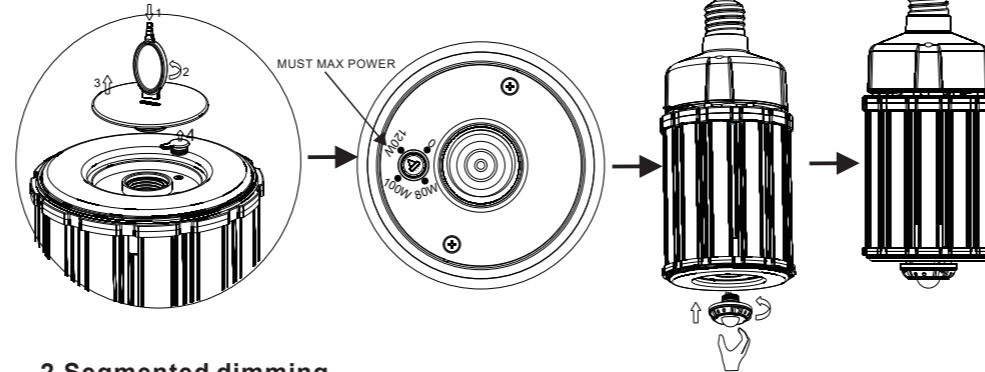
Figure(7)

Installation of motion sensor or PIR sensor

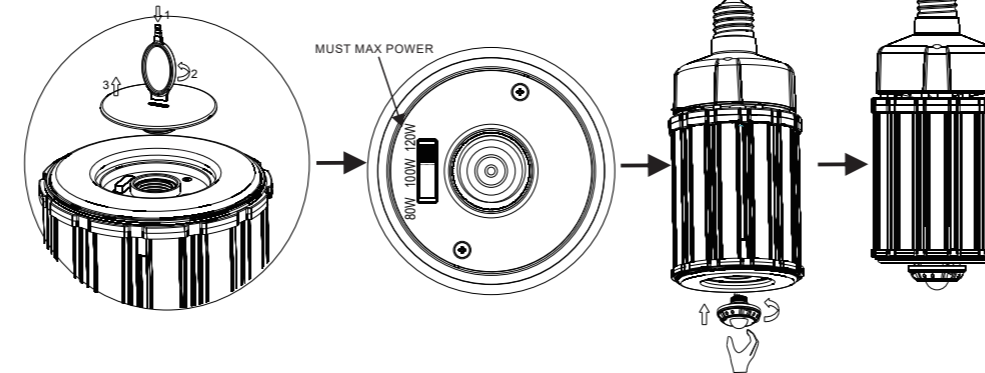
It could be easily installed by using a straight screwdriver. Use a flat-blade screwdriver to unscrew the plug and remove the plug. And then, adjust the lamp power to the maximum (otherwise the sensor will act abnormally). install motion sensor or PIR sensor and tighten it.

Note: the motion sensor has no dialing code, and a remote control is needed for adjustment. Please refer to the instruction for remote control adjustment.

1.Continuous dimming



2.Segmented dimming



WARNING:

THIS DEVICE IS NOT INTENDED FOR USE WITH EMERGENCY EXITS
ADDED WEIGHT OF THE DEVICE MAY CAUSE INSTABILITY OF A FREE STANDING
USE ONLY WITH A PORTABLE TABLE LAMP THAT IS PROVIDED