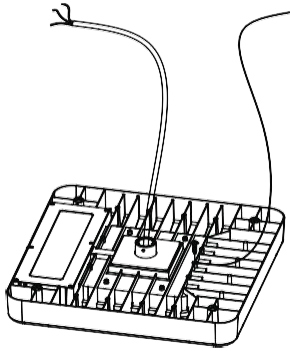




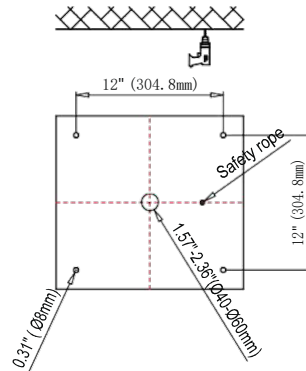
## Installation Instruction

### Installation method I : Ceiling Installation

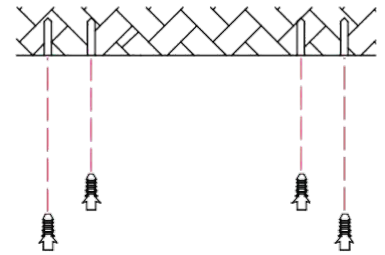
1. Fix the safety rope on the back of fixture by supplied screw PWM4\*8.



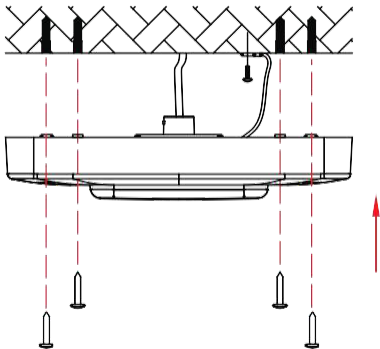
2. Drill 5 holes on the ceiling based on the diameter of supplied plastic anchor as picture, to make them match the holes on the fixture.



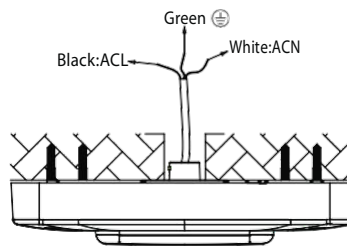
3. Screw the anchors to holes on ceiling respectively.



4. Screw the safety rope. And fix the fixture to the ceiling with tapping screws.

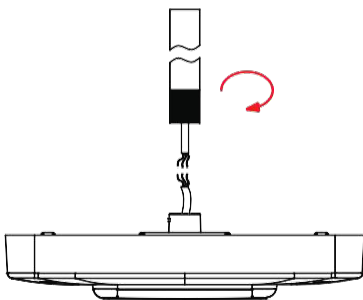


5. Connecting the wires respectively: Black-L, White-N, Green-earth.



### Installation method II: Pole-pendent Installation

1. Connecting wires from fixture and 3/4" NPT thread with terminal caps as picture



2. Rotating the 3/4" NPT thread to make it fixed with lamp, and fix the NPT with supplied screw.

