

Installation Instructions

Hazardous location light (Type TLEP)

Important

READ INSTRUCTIONS CAREFULLY BEFORE INSTALLING. KEEP THIS INSTRUCTIONS FOR FUTURE REFERENCE.

Fixtures must be wired in accordance with the National electrical code and all applicable local codes. Proper grounding is required for safety.

THIS PRODUCT MUST BE INSTALLED IN ACCORDANCE WITH THE APPLICABLE INSTALLATION CODE BY A QUALIFIED ELECTRICIAN WHO IS FAMILIAR WITH THE CONSTRUCTION AND OPERATION OF THE PRODUCT AND THE HAZARDS INVOLVED.

Warning: Risk of fire or electric shock. High bay Light installation requires knowledge of luminaires and electrical systems. If not qualified, DO NOT try to install. Please contact an electrician.

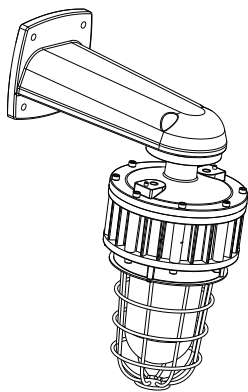
Warning: Risk of fire or electric shock. Suitable for wet locations. Make sure the power is off premier to install.

Warning: Risk of fire or electric shock. Suitable for non-insulated surface and frame. DO NOT cover fixture with insulation liner or similar material.

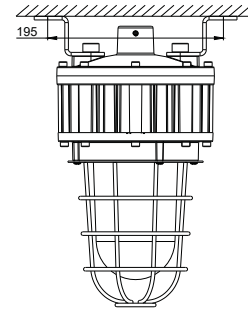
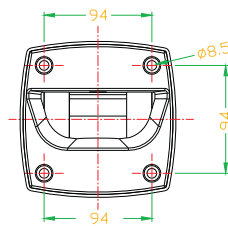
Warning: DO NOT install in unstable, loose or breakable surfaces.

Warning: DO NOT let objects impact or exert force on the surface of the fixture.

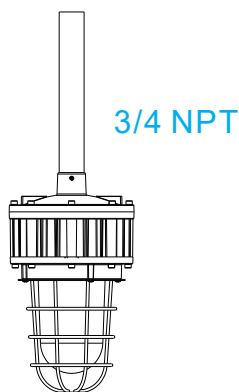
Installation Steps (For Class I Div. 1 Group C, D location)



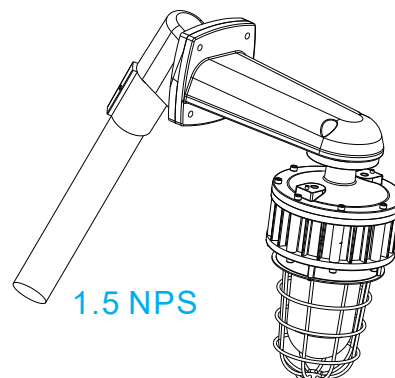
Wall mounted



Surface mounted



Pendant mounted



Pole mounted

Steps Description

1. Take out the fixture and accessory from the cartoon box, tighten their screws.

3. Join the light to hazardous location cable pipe, connect the AC the Live wire, Null wire and grounding wire, close the power enclosure. Fix the light on the ceiling or wall. Purple cable connect to Dim+, Pink cable connect to Dim-

2. Drill 4x $\varnothing 8$ mm holes for wall mounted; drill 2x $\varnothing 10$ mm holes for surface mounted, 3/4 NPT pipe for pendant mounted, 1.5 NPS pipe for Pole mounted screws and bracket on ceiling.

4. Install the fixture to ceiling or wall, adjust the light angle, and tighten the fixing screw, turn on the power to test the light is work.