

Installation instructions

Hazardous locations luminaire (TLHBEQ)

Important

READ INSTRUCTIONS CAREFULLY BEFORE INSTALLATION. KEEP THESE INSTRUCTIONS FOR FUTURE REFERENCE. Luminaires must be connected in accordance with the national electrical code and all applicable local codes. Proper grounding is required for safety.

THIS PRODUCT MUST BE INSTALLED IN ACCORDANCE WITH THE APPLICABLE INSTALLATION CODE BY A QUALIFIED ELECTRICIAN WHO IS FAMILIAR WITH THE CONSTRUCTION AND OPERATION OF THE PRODUCT AND THE HAZARDS INVOLVED.

Caution: risk of fire or electric shock. Installing high-ceiling luminaires requires knowledge of luminaires and electrical systems. If not qualified, DO NOT attempt installation. Please contact a qualified electrician.

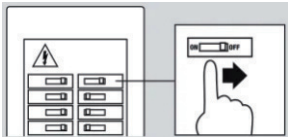
Caution: risk of fire or electric shock. Suitable for damp locations. Ensure power supply is disconnected before installation.

Caution: risk of fire or electric shock. Suitable for non-insulated surfaces and frames. DO NOT cover luminaire with insulating liner or similar material.

Caution: DO NOT install on unstable, soft or brittle surfaces.

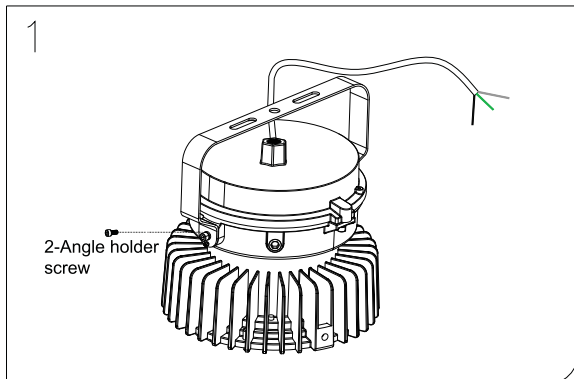
Caution: DO NOT allow any object to strike or exert force on the luminaire surface.

SURFACE MOUNTING

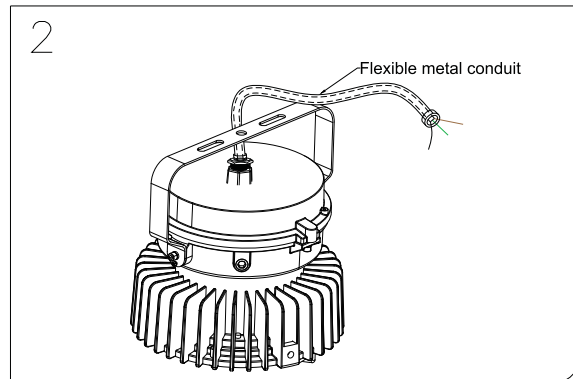


⚠ ATTENTION

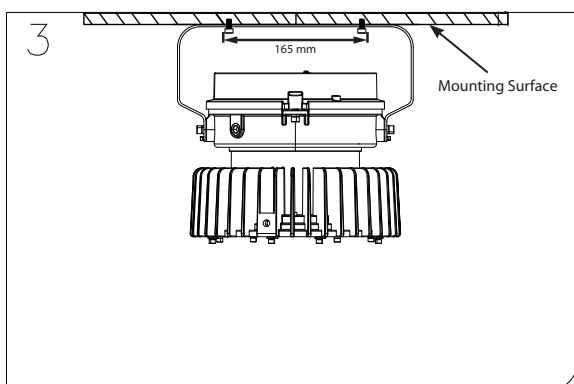
Risk of fire, electric shock and injury.
Switch off power supply before installation!



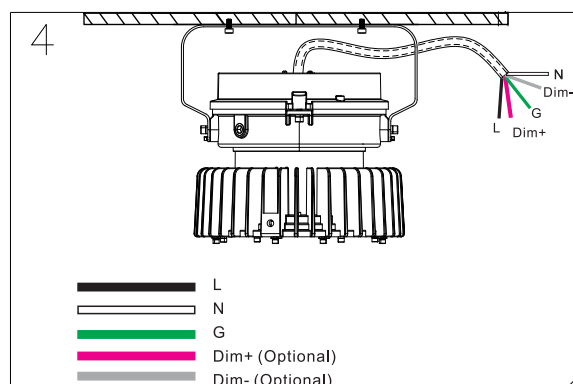
1. Take the fixture and accessory out from cartoon box, tighten 2x angle holder screw as Fig.1..



2. Flexible metal conduit installed with the fixture.

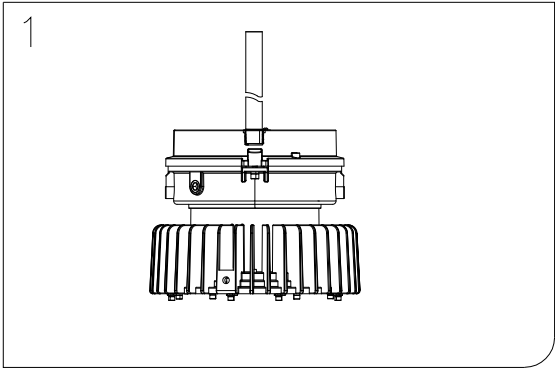


3. Drill 2x hole as Fig.3, the recommended Surface Mounting Bracket distance is 165mm

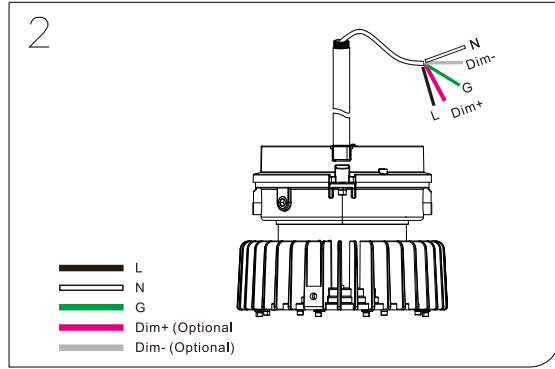


4. Connect the AC cable to power supply, black to L, white to N, green to G, purple to Dim+, gray to Dim-.

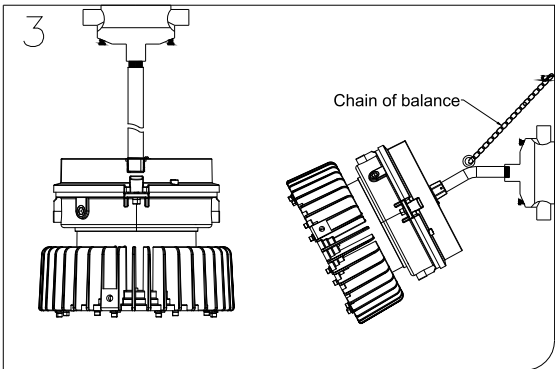
PENDANT MOUNTING



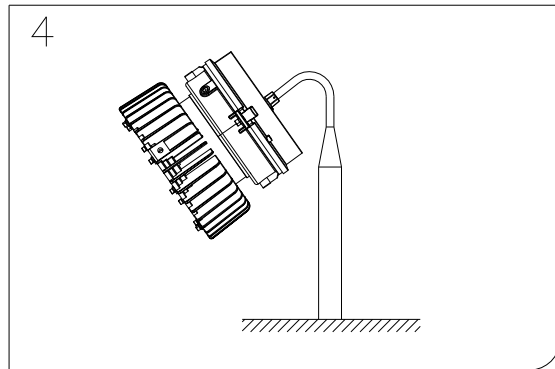
1. Take the fixture and accessory out from cartoon box, tighten the pole as fig.1



2. Connect the AC cable to power supply, black to L, white to N, green to G, purple to Dim+, gray to Dim-.

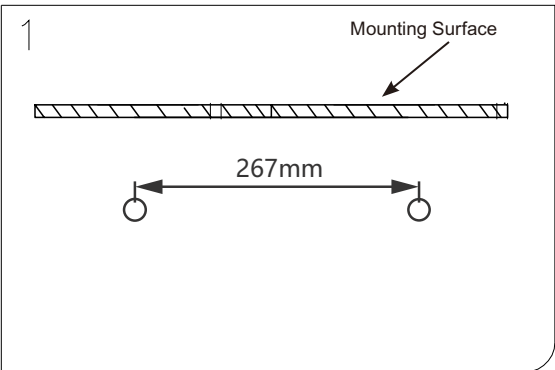


3. Install the installation box to the wall or ceiling as Fig.3. Tighten the pole to the box, and adjust the chain of balance.

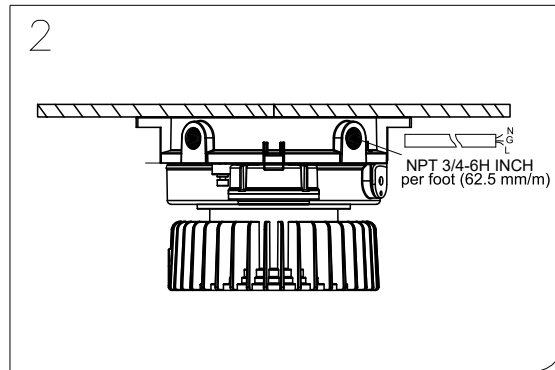


Optional: Install the fixture to the pole after cable connecting.

CEILING MOUNTING

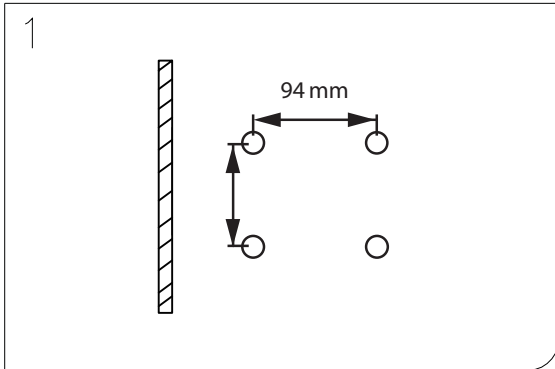


1. Mark the Mounting Surface for mounting hardware locations as shown in Fig.1. Recommended Surface Mounting Bracket distance is 267mm (Fig.1).

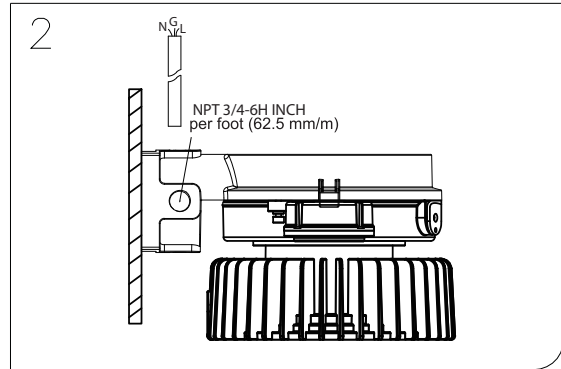


2. Secure the Fixture to Mounting Surface.

WALL MOUNTING

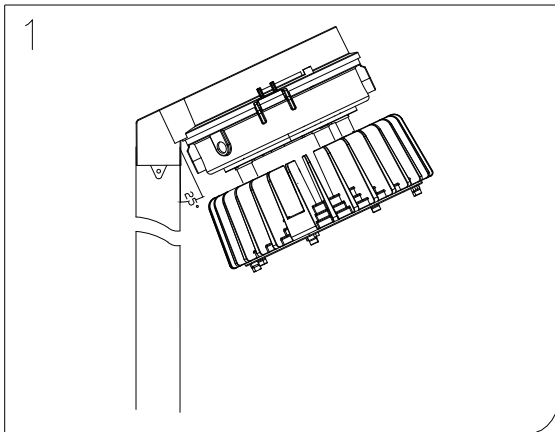


1. Mark the Mounting Surface for mounting hardware locations as shown in Fig. 1.



2. Secure the Fixture to Mounting Surface.

STANCHION MOUNTING



1. Install the Fixture on the fixed lamp pole. Pay attention to the thread of the lamp pole matching (NPT 1-1/2).
2. Secure the Fixture, ensuring that there are 3 pieces of fitting thread.
3. Adjust the direction of the Fixture and twist the anti-slip screws.