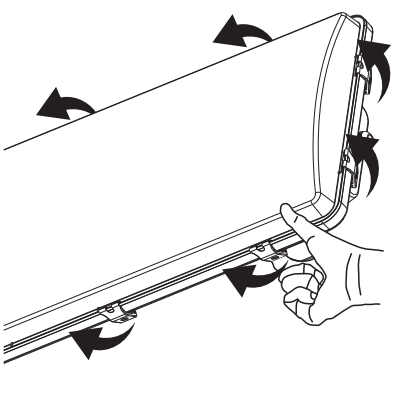
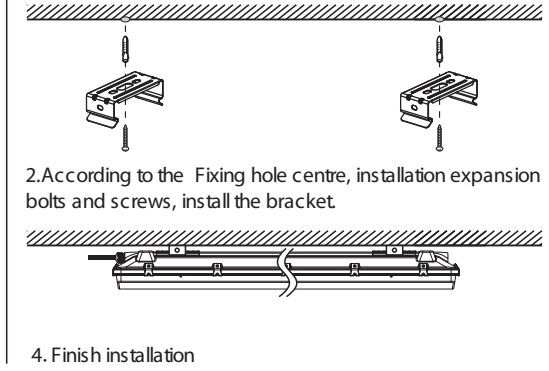
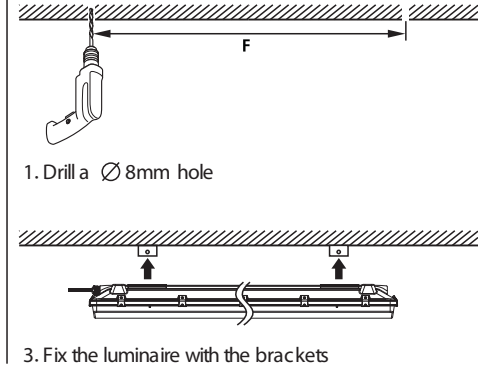
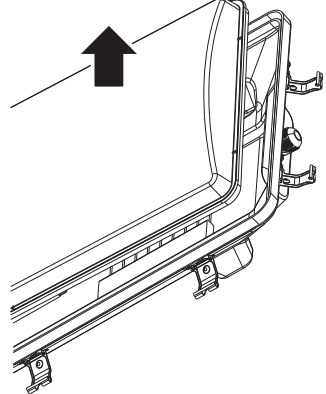


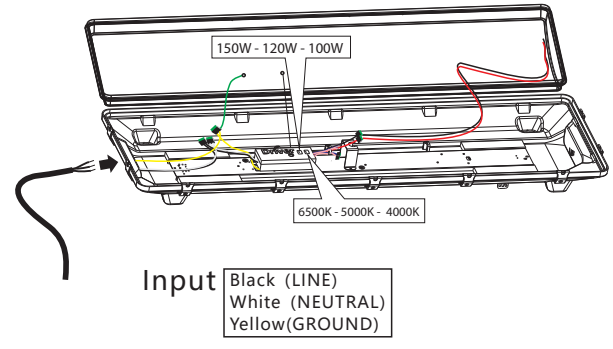
! WARNING
Switch off the power supply before installation



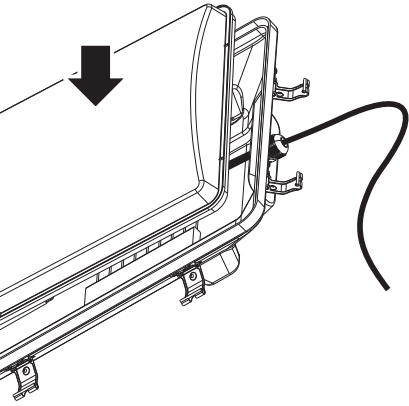
1. Unbuckle the clips



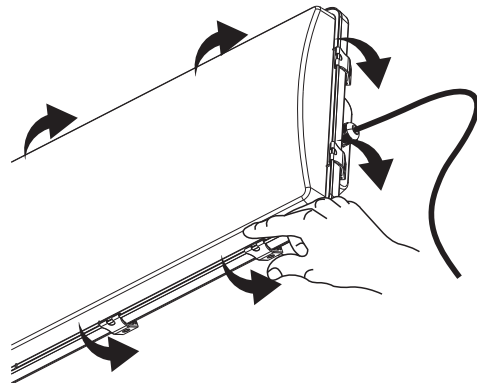
2. Take out the LED module



3. Connect the wires



4. Put back the LED module



5. Buckle the clips

! WARNING

- 1) Switch off the power supply before installation
- 2) Installation should be done by registered electricians

