

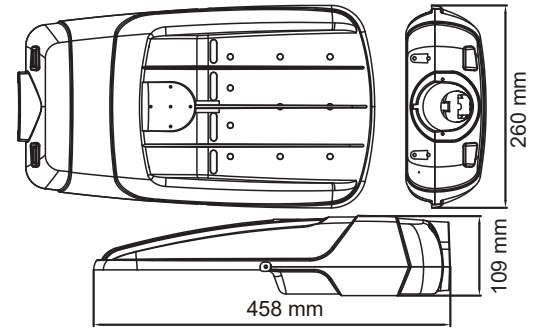
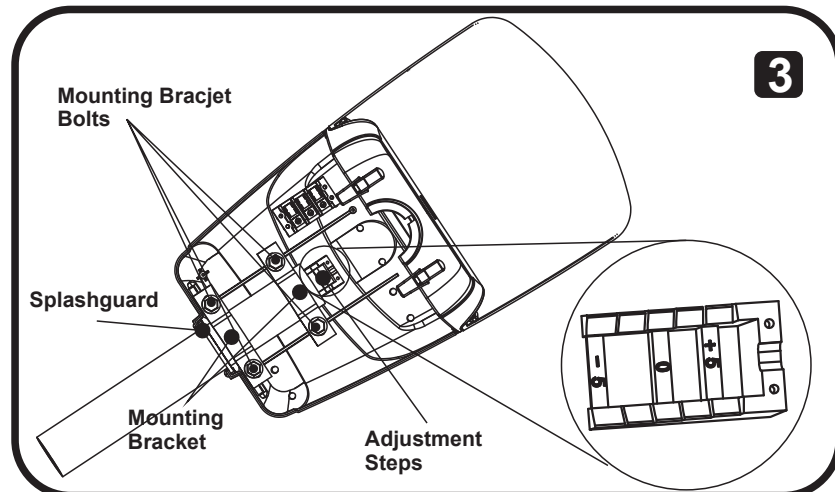
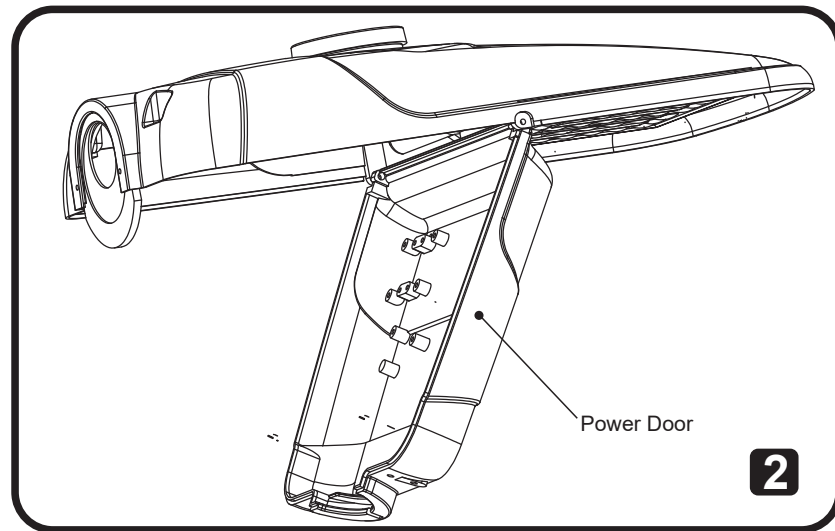
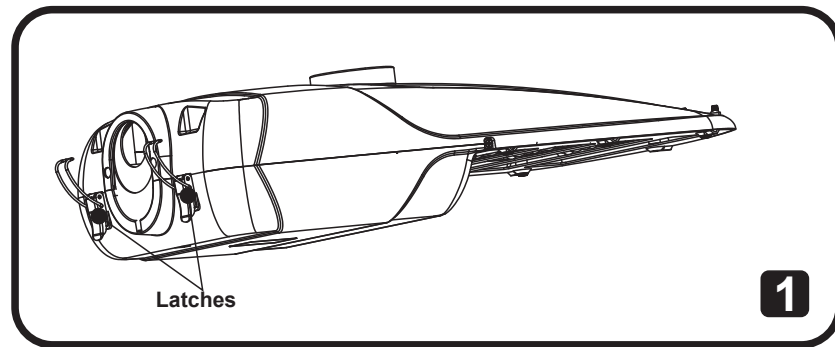
### IMPORTANT SAFEGUARDS

When using electrical equipment, basic safety precautions should always be followed including the following:

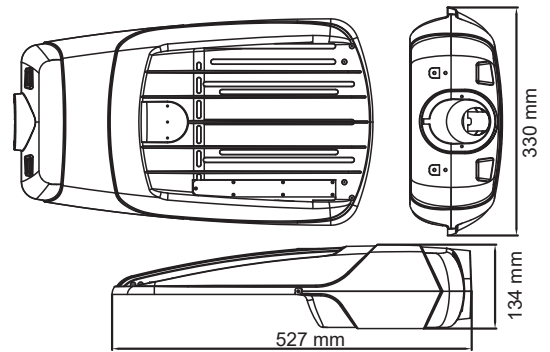
#### READ AND FOLLOW ALL SAFETY INSTRUCTIONS

1. To reduce the risk of electrical shock, turn off power supply before installation or servicing.
2. This luminaire must be installed in accordance with the NEC or your local electrical code. If you are not familiar with these codes and requirements, consult a qualified electrician.
3. If NEMA photo control is installed refer to NEMA Receptacle section for instructions.
4. Verify the availability of necessary tools and incidental material.

#### TO INSTALL:



TL70



TL140

#### LUMINAIRE INSTALLATION

##### STEP 1:

Unfasten the stainless steel latches. See **Figure 1**.

##### STEP 2:

Open the power door. Power door will securely hang. See **Figure 2**.

##### STEP 3:

Slide fixture on to pole through opening on the rear of housing and through splashguard. See **Figure 3**.

##### STEP 4:

To level fixture, use bubble level located inside housing. Adjust leveling of fixture from side to side. To level from front to back, slide pole to different step in upper housing. Each step changes the angle in 2.5° degree increments. See **Figure 3**.

**Tilt: Stopping at the step marked "0"** provides no tilt. Stopping at the step marked "+5" provides maximum tilt.

TORQUE VALUES			
Pipe Pipe Size	Pipe Position	Bolt Torque Required (in-lbs)	Bolt Torque Required (N-m)
1-3/4 IN O.D. (44.45mm)	+5.0 degrees tilt	200	22
	+2.5 degrees tilt	200	22
	0 degrees (no tilt)	200	22
	-2.5 degrees tilt	200	22
	-5.0 degrees tilt	200	22
2-3/4 IN O.D. (60.3mm)	+5.0 degrees tilt	200	22
	+2.5 degrees tilt	200	22
	0 degrees (no tilt)	200	22
	-2.5 degrees tilt	200	22
	-5.0 degrees tilt	200	22

**STEP 5:**

Once desired position is achieved, tighten mounting bolts to the appropriate torque values specified in TORQUE VALUES table to the left.

**IMPORTANT :DO NOT exceed these torque levels on the mount bolts.** Exceeding recommended torque value resulting in excessive deformation of mounting bracket will causes tripping of mount hardware which could lead to an unsafe mounting condition.

**STEP 6:**

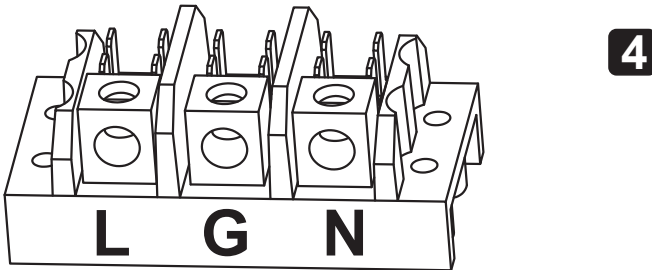
Reference Electrical Connections section for completing electrical connections. See **Figure 4.**

**Step 7:**

Close the housing cover and fasten the two stainless steel latches. See **Figure 5.**

**Step 8:**

If luminaire is furnished with photocontrol receptacle, install the photocontrol or shorting. See **Figure 6.**



**4**

Make the following Electrical Connections to the terminal block:

1. For 120/277V connect the black fixture lead to the voltage supply position of the terminal block .
2. For 120/277V connect the white fixture lead to the neutral supply position of the terminal block .
3. Connect the green or green/yellow ground lead to the green wire position of the terminal block.
4. If Dimming is an option; connect the violet dimming positive lead to the supply dimming positive lead.
5. If Dimming is an option; connect the grey dimming negative lead to the supply dimming negative lead

