

Installation for track lights

Select a desired color temperature by using the slide switch.

H-Style:

1. Place the connector into track groove and make sure that the side with the locking clip is opposite to the polarity groove on the track.
2. Push towards track and turn counter-clockwise 90°.
3. To remove the fixture, pull the locking clip downwards (away from the track) and turn clockwise 90°.
4. Once assembly is completed, turn on power to confirm fixture is working properly.

Installation completed.

Replacement of lens

Trim

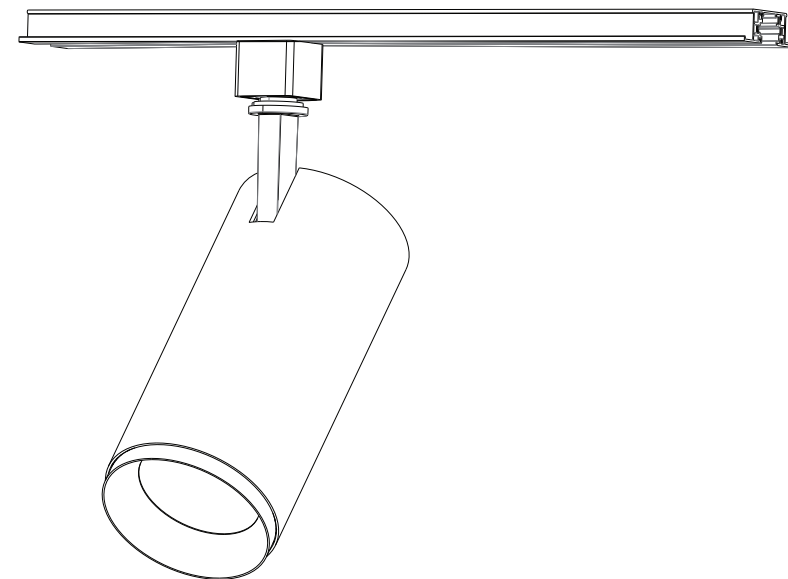
Rotate to the left to remove the trim & lens.

Replace the removed lens with the desired lens.

Rotate to the right to tight en the trim & lens.

Replacement completed.

LED TRACK LIGHT USER GUIDE



Important Safety Instructions

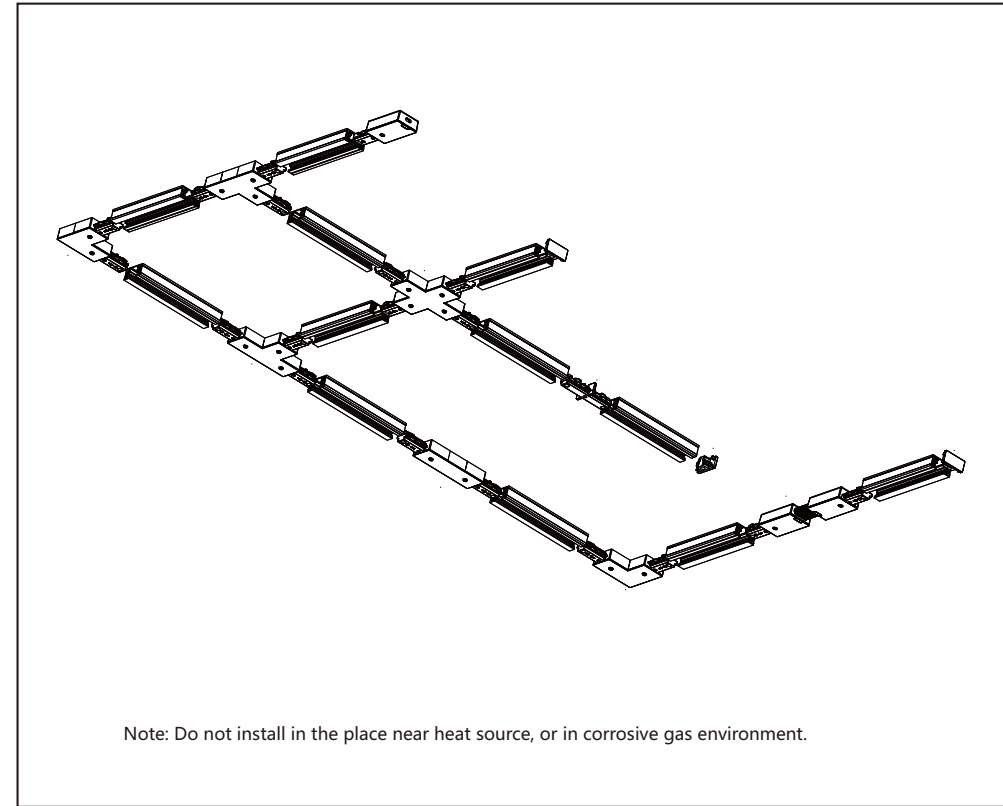
When installing or using this track system, basic safety precautions should always be followed, including the following:

1. Read all instructions
2. Do not cut any track sections.
3. For Indoor use only . Do not install this track in damp or wet locations.
4. Do not install any part of a track system less than 5 feet above the floor
5. Do not install any luminaire assembly closer than 6 inches from any curtain, or similar combustible material.
6. Turn off power before installation or before doing any maintenance work.
7. Do not exceed the nominal supply voltage or amperage ratings.
8. Do not attempt to energize anything other than lighting track luminaires on the track. To reduce the risk of fire and electric shock, do not attempt to connect power tools, extension cords, appliances, and the like to the track.
9. Do not connect a track to more than one branch circuit unless the track is constructed so that it can be used with more than one branch circuit. Check with a qualified electrician. Although the track lighting system may seem to operate acceptably
10. Wear rubber soled shoes and work on a sturdy wooded or non-conductive ladder.
11. Product must be mounted in location and at height in a manner consistent with its intended use, and in compliance with National Electrical Code and local building codes.

Installation Procedure

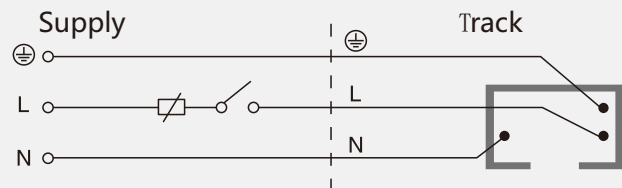
WARNING

1. Switch off before installation.
2. Switch on only after complete installation and examination of the circuit.
3. Professional electrician for installation and maintenance only.



Wiring Diagram

3-wires, 1-circuit



1-phase, 1-circuit, 120V AC, 20A , 3.7kVA

Installation for track

