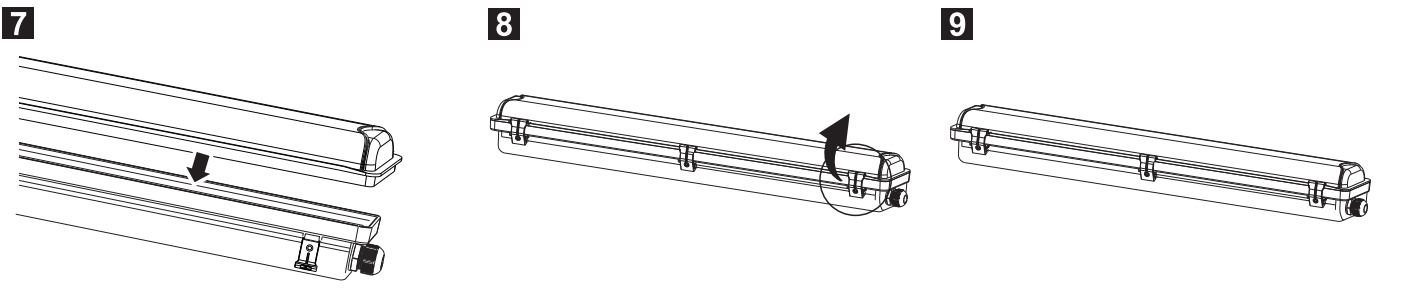
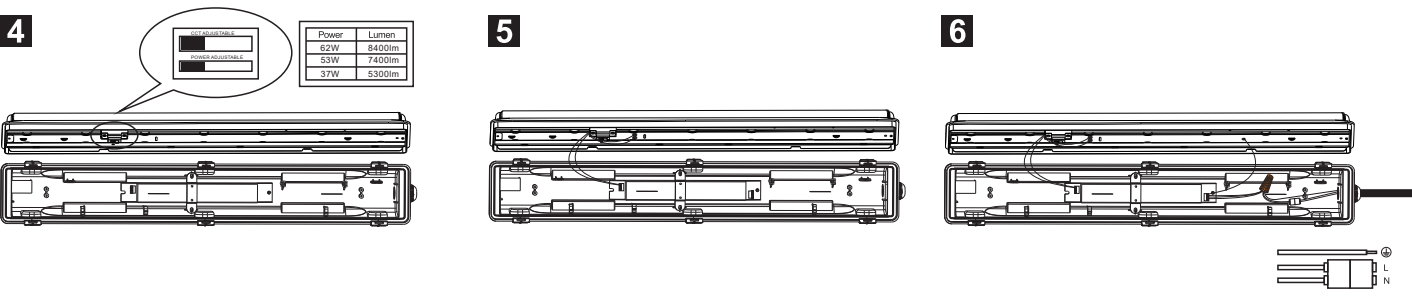
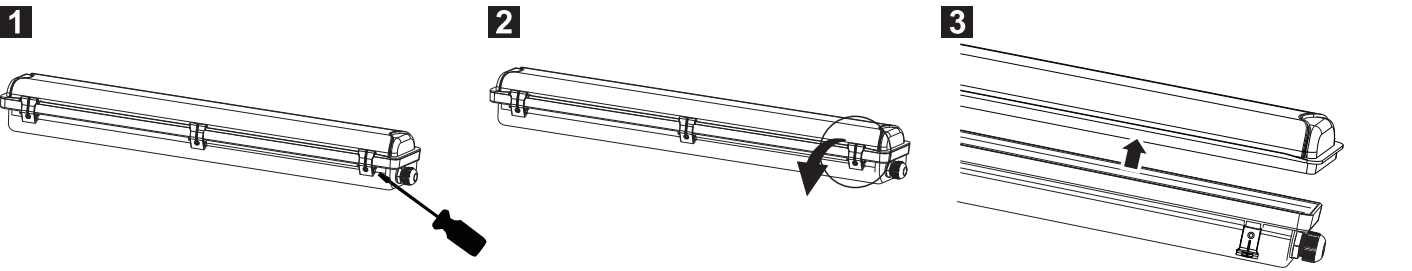
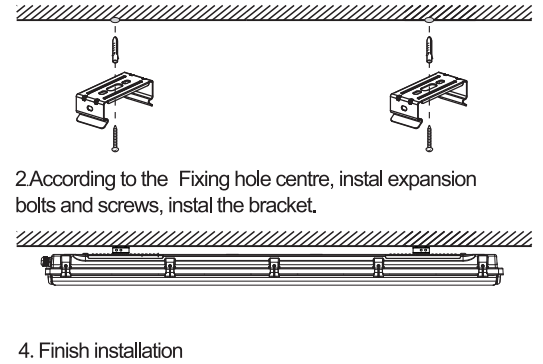
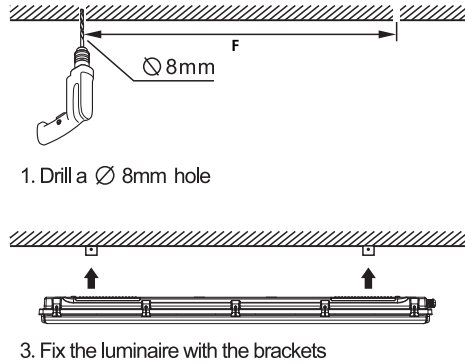


! WARNING

- 1 Installation should be done by registered electricians.
- 2 Never touch the working luminaire
- 3 In any case of malfunction, switch off the power supply immediately, and do not try to repair it yourself.
- 4 Repairment should only be done by registered electricians or official service agent.



! WARNING

Switch off the power supply before installation

