

WARRANTY:

5-YEAR WARRANTY.

If this product fail to perform satisfactorily due to defect or poor workman ship within five years from the date of purchase, return it to the place of purchase and it will be replaced, free of charge. Incidental or consequential damages are excluded from the warranty.

SAFETY INSTRUCTION:

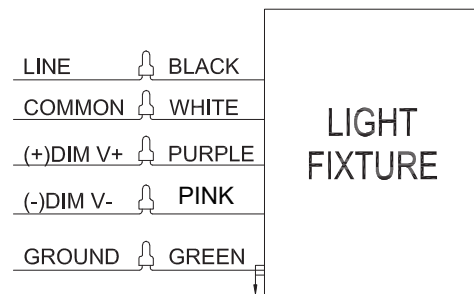
- This fixture must be wired in accordance with the international electrical code and applicable local codes and ordinances.
- Proper grounding is required to insure personal safety. Carefully observe the correct grounding procedure under installation section.
- Make sure power off before installing or maintaining fixture.
- Check that voltage is compatible with fixture driver, use approved connectors for all electrical connections.

**IMPORTANT: READ CAREFULLY BEFORE INSTALLING FIXTURE.
RETAIN FOR FUTURE REFERENCE.**

WIRING INSTRUCTION:

WARNING: TURN OFF POWER BEFORE CONNECTING WIRES.

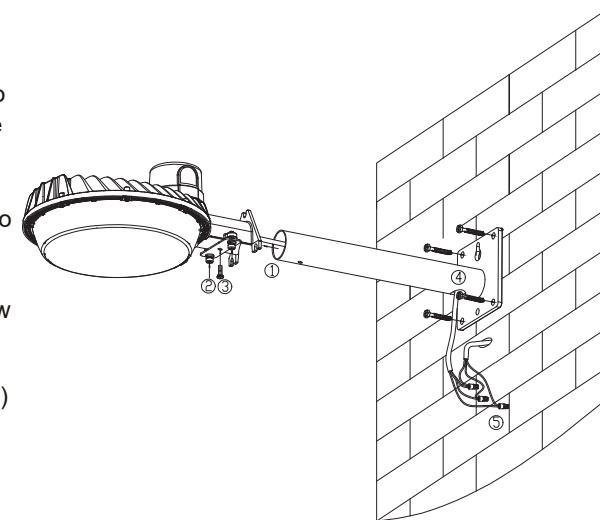
1. Turn off the power.
2. Connect the BLACK wire with the LINE.
3. Connect the WHITE wire with the COMMON.
4. Connect the GREEN wire with the GROUND.
Caution: DO NOT connect the PINK(-)DIM V- wire with GROUND.
5. Connect the PURPLE wire with the (V+) DIM.
6. Connect the PINK wire with the (V-) DIM.



INSTALLATION:

Wall Mounting

1. Insert the wire through location ① to the hole on location ④; then insert pole into fixture.
2. Tighten 3 screws (Location ② & ③) to fixed the fixture and pole together.
3. Install the fixture on the wall by screw in 4pcs of #12 screws.
4. Making wire connection (Location ⑤) by following up the wiring instruction.



Pole Mounting

1. Insert the wire through location ① to the hole on location ④; then insert pole into fixture.
2. Tighten 3 screws (Location ②&③) to fixed the fixture and pole bracket together.
3. Tighten pole bracket on the pole by inserting U bolts as the right picture. Screw in nuts, washer and lock washer to U bolts. As location ⑥.
4. Making wire connection by following up the wiring instruction. As location ⑦.

