

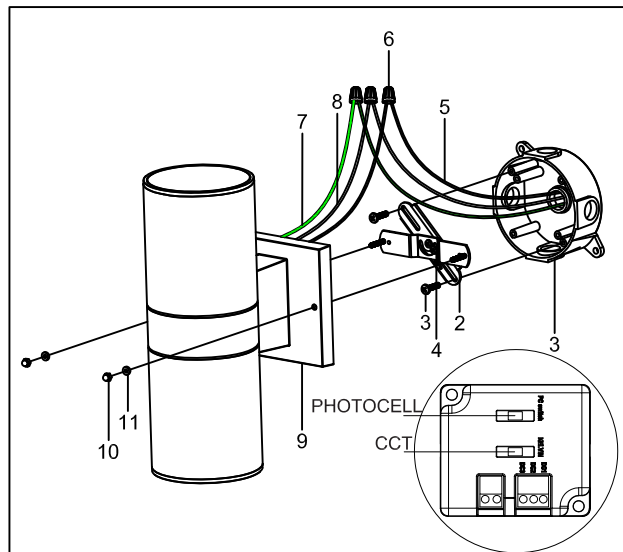
IMPORTANT SAFEGUARDS

When using electrical equipment, basic safety precautions should always be followed including the following:

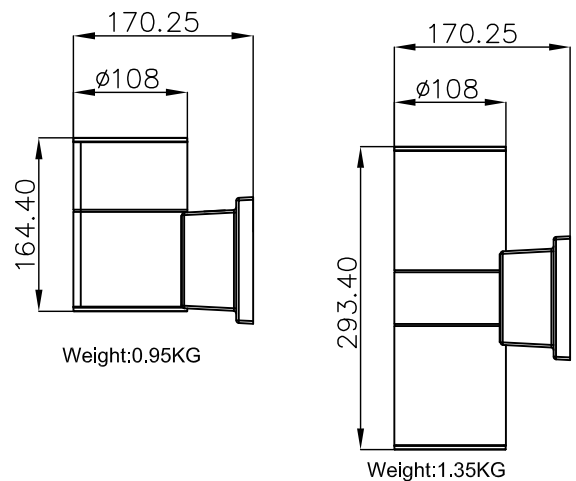
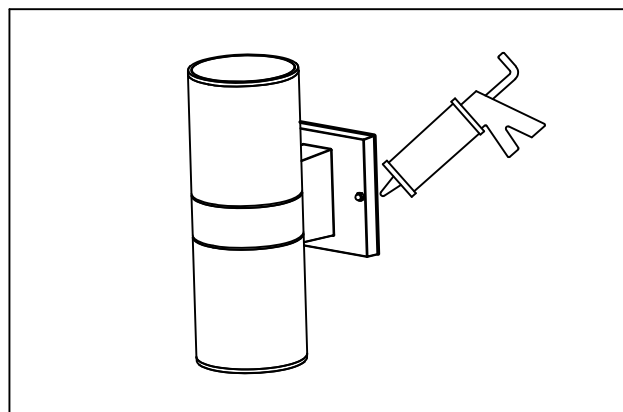
READ AND FOLLOW ALL SAFETY INSTRUCTIONS

1. To reduce the risk of electrical shock, turn off power supply before installation or servicing.
2. This luminaire must be installed in accordance with the NEC or your local electrical code. If you are not familiar with these codes and requirements, consult a qualified electrician.
3. Verify the availability of necessary tools and incidental material.

TO INSTALL



- | | |
|---------------------|--------------------|
| 1.Outlet box | 7.Ground wire |
| 2.Cross bar | 8.White wire |
| 3.Outlet box screws | 9.Wall plate |
| 4.Mounting screws | 10.Decorative nuts |
| 5.black wire | 11.Flat washer |
| 6.Wire nuts | |



INSTALLATION STEPS

- 1.Change COLOR TEMPERATURE or turn on & off of the photocell with simple flips of the switches.
2. Install mounting cross bar (2) to the outlet box (1) using outlet box screws (3);
3. Adjust the cross bar (2) in right angle, tighten the screws in the middle. Helpful tips: Before tightening the screws, try to fit the fixture to ensure the angle of cross bar is correct.
4. Strip 1/2 inch of insulation from wire ends. Twist striped ends together with pliers black (5) to black (power) and white (8) to white (neural). Attach copper wire to ground wire (7). Helpful tips: If necessary, attach copper ground wire to outlet box ground.
5. Attach wire nuts (6). Tape wire nuts and wires together with electrical tape.
6. Attach the fixture to the wall by aligning the mounting screws that protrudes from the mounting Cross bar (2) to the hole in the wall plate (9). Screw the decorative nuts (10) onto the protruding mounting screws (4) until the fixture is held firmly to the wall. Its recommended to apply clear weather silicone sealer (not included), around the wall plate (9). Installation finished. Turn on the power at the circuit breaker or fuse box. Turn the light switch ON to activate the fixture.
7. After the fixture is installed on the wall, fill the gap between the wall and the fixture with glue. (Only 3 mounting surfaces need to be filled, the underside does not need to be filled)

Troubleshooting: If this fixture fails to operate properly, check to make sure: The fixture is wired correctly. The fixture is grounded correctly. The line voltage at the fixture is correct. If all these variables have been checked and the fixture still does not operate as specified, contact your local distributor.