



INSTALLATION INSTRUCTIONS FOR EMERGENCY LIGHTING

Package Contents

Part	Description	Quantity
1	Emergency Lighting	1
2	Hardware Kit	1



Warnings and Cautions

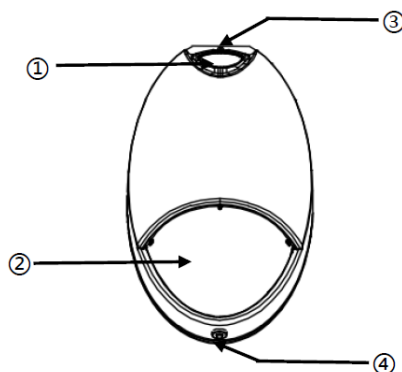
IMPORTANT SAFEGUARDS

READ AND FOLLOW ALL SAFETY INSTRUCTIONS

1. Review the diagrams thoroughly before beginning.
2. All electrical connections must be in accordance with local codes, ordinances and the National Electric code.
3. Disconnect power at fuse or circuit breaker before installing or servicing.
4. Do not mount in hazardous locations, or near gas or electric heaters.
5. Do not let power cords touch hot surface.
6. Equipment should be mounted in locations and at heights where it will not be subjected to tampering by unauthorized personnel.
7. The use of accessory equipment not recommend by the manufacturer may cause an unsafe condition.
8. Do not use this equipment for other than intended use.
9. All servicing should be performed by qualified personnel only.
10. Allow battery to charge for 24 hours before first use.
11. For connection to a single source of supply such that all lamps are simultaneously illuminated.

SAVE THESE INSTRUCTIONS

User Instructions



Pic 1

① Two-color function indication

② LED Light

③ Cable outlet

④ Test button

Mounting Instructions

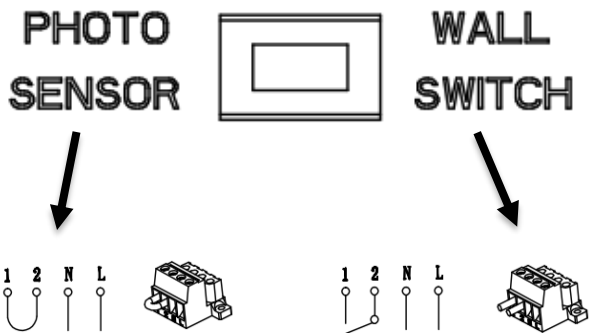
NOTE: First turn off electricity.

Mounting (Max. mounting height: 11.1 ft(3.3m))

1. Remove cover from fixture with a screwdriver.



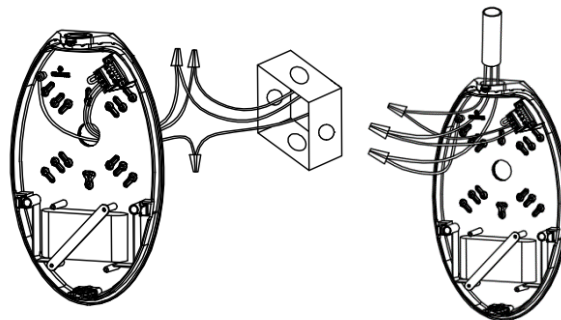
2. Select working mode.



3. ELECTRICAL CONNECTIONS

Make the proper supply wire connections. Connect L and N to building power supply.

4. Pull out all AC wires from the back of the fixture or top of the fixture for mounting. (J-box not provided)

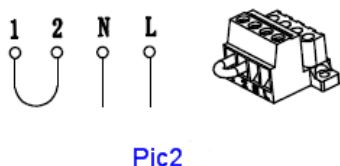


5. Restore power and press test button. AC light will turn off.

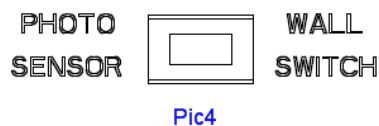
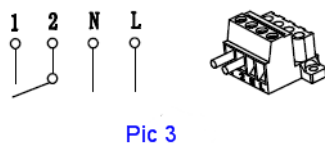
Function:

- When AC connected, the green indicator on.
- For normal lighting use, the fixture can be configured for automatic operation by the built-in daylight photo sensor, or can be switched through an external switch. For battery backup models the fixture will illuminate from battery power on loss of normal AC, regardless of the photo sensor or wall switch operation.
- For photo sensor operation, connect the jumper between terminals 1 and 2 (Pic2) and slide the slide switch (Pic4) to the Photo Sensor position. The photo sensor will turn the fixture on when the ambient lighting <10 Lux, and off when the ambient lighting >30 Lux.
- For an external switch: remove the jumper between terminals 1 and 2 (Pic3), and slide the slide switch (Pic4) to the Wall Switch position. The external switch connections must be fully isolated from any other circuitry.

Photo Sensor Operation



External Switch Operation



Automatic Testing

1. Install Emergency Lighting according to the above instructions.
2. Once AC power is supplied to fixture, the unit will automatically initiate a self-Test and self-Diagnostic test as follows.
 - 1) Verifies battery disconnection, charger failure, transformer failure at every 5 seconds.
 - 2) One-minute Self-testing (battery discharging test) every month
 - 3) 30 minutes Self-Testing (battery discharging test) on the 6th month of the year.

5. Dual color LED lamp shows the following status:

- 1) Green color (Operating Status)
 - ON/ Ready
 - Blinking : Testing
- 2) Red color (Service Alert)
- 3) Service Alert LED Code (Red color LED lamp)

●	One blink ON/pause (4 seconds)	Battery is not connected
● ●	Two blinks ON/pause (4 seconds)	Battery is shorted or battery voltage drops below an acceptable value
● ● ●	Three blinks ON/pause (4 seconds)	Charge board circuit fault
● ● ● ●	Out blinks ON/pause (4 seconds)	Transformer fault

6. For manual test, press test button as follows:

Press test button once (within 2 seconds)	1 minute test
Press test button twice (within 2 seconds)	5 minutes test
Press test button 3 times (within 2 seconds)	30 minutes test
Press test button 4 times (within 2 seconds)	90 minutes test

Important

After correcting a service alter fault, it is necessary to depress the test button for 2 seconds. Once released the LED indicator will be green if all faults have been corrected.