

LED AREA LIGHT Installation Guide



General Safety Information

- To reduce the risk of death, personal injury or property damage from fire, electric shock, falling parts, cuts/abrasions, and other hazards read all warnings and instructions included with and on the fixture box and all fixture labels.
- Before installing, servicing, or performing routine maintenance upon this equipment, follow these general precautions.
- Commercial installation, service and maintenance of luminaires should be performed by a qualified licensed electrician.
- DO NOT INSTALL DAMAGED PRODUCT!**
- This fixture is intended to be connected to a properly installed and grounded UL listed junction box.

WARNING: RISK OF ELECTRICALSHOCK

- Turn off electrical power at fuse or circuit breaker box before wiring fixture to the power supply.
- Turn off the power when you perform any maintenance.
- Verify that supply voltage is correct by comparing it with the luminaire label information, Code and any applicable local code requirements.
- Make all electrical and grounded connections in accordance with the National Electrical Code.
- All wiring connections should be capped with UL approved wire connectors.

CAUTION: RISK OF INJURY

- Unit will fall if not installed properly. Follow installation instructions.
- Wear gloves and safety glasses at all times when removing luminaire from carton, installing, servicing or performing maintenance.
- Avoid direct eye exposure to the light source while it is on.
- Account for small parts and destroy packing material, as these may be hazardous to children.

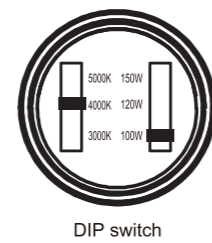
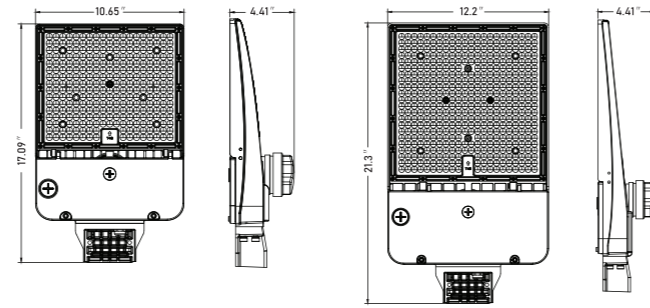
CAUTION: RISK OF FIRE

Keep combustible and other materials that can burn away from luminaire and lamp / lens.
MIN 75 °C SUPPLY CONDUCTORS.

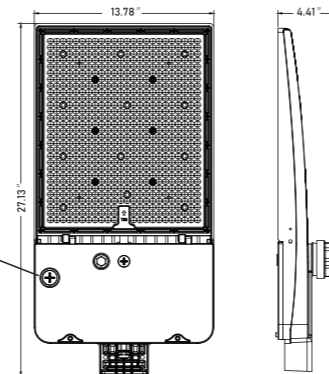
Operating temperature: -40 °C to 50 °C
Input voltage range: 120-277/277-480Vac, 50/60 HZ

Package Contents

Description	Quantity(set)
LED High Bay Fixture	1
User Manual	1
Optional Accessories	



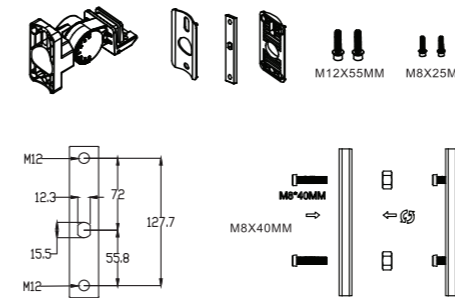
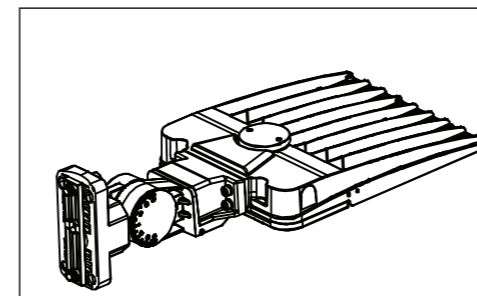
DIP switch
Unscrew the dimming cap by hand and transfer the DIP switch to the appropriate position as required



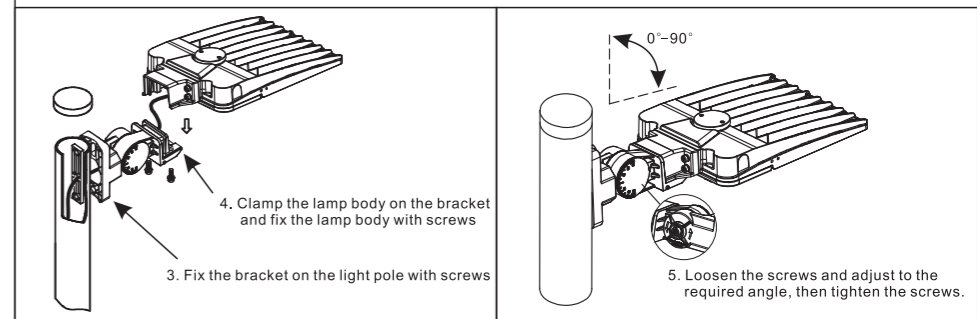
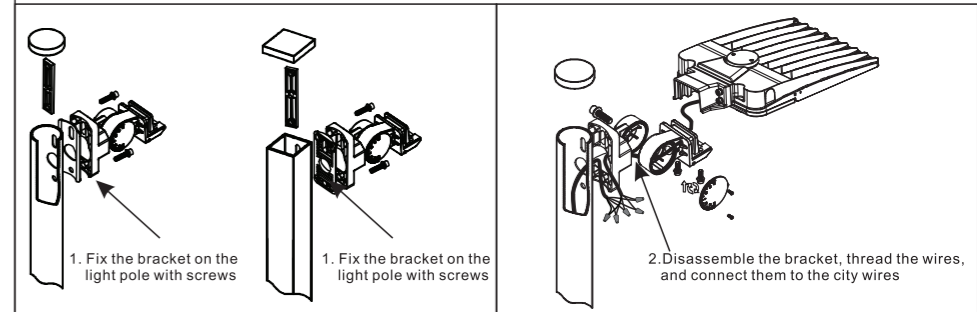
LED AREA LIGHT Installation Guide



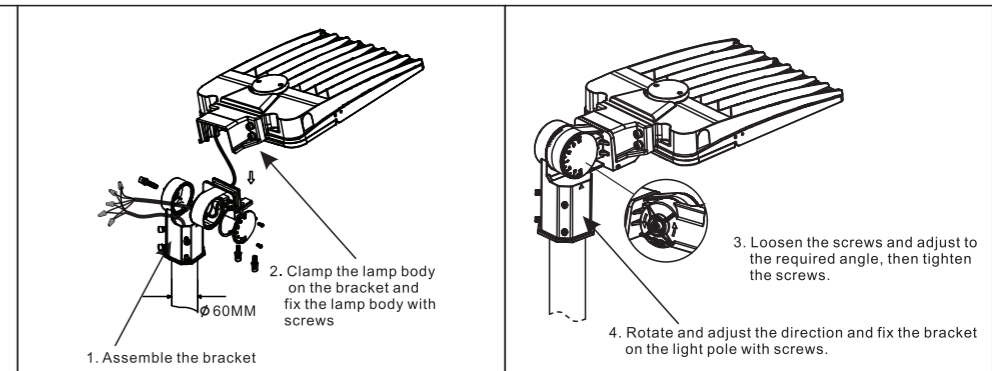
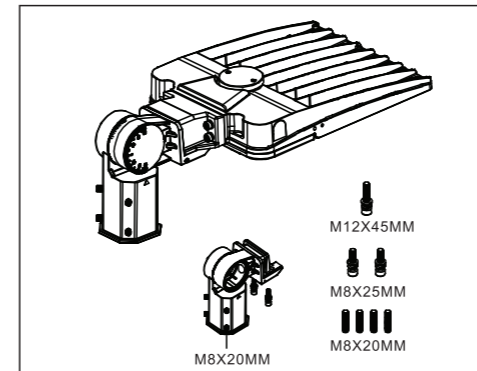
Adjustable round / Square pole arm installation steps



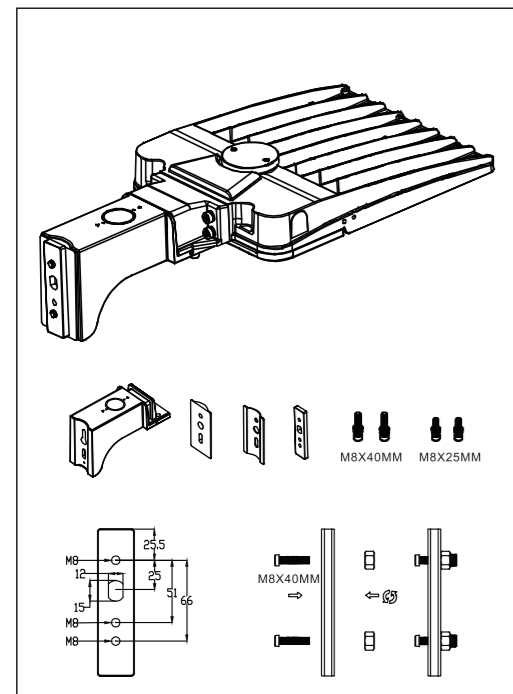
Round / Square pole installation



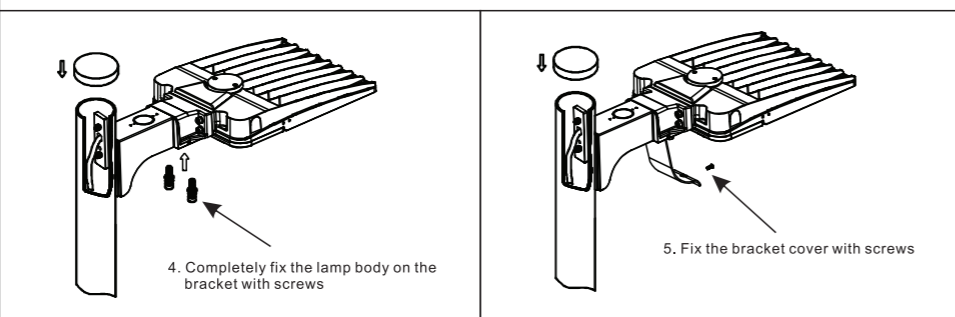
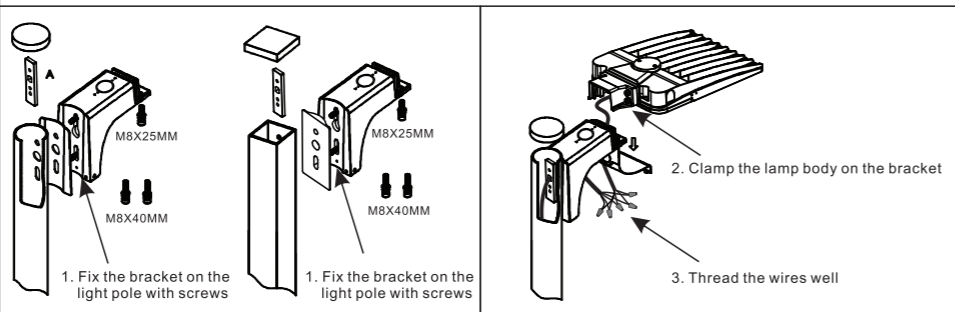
Slip fitter installation steps



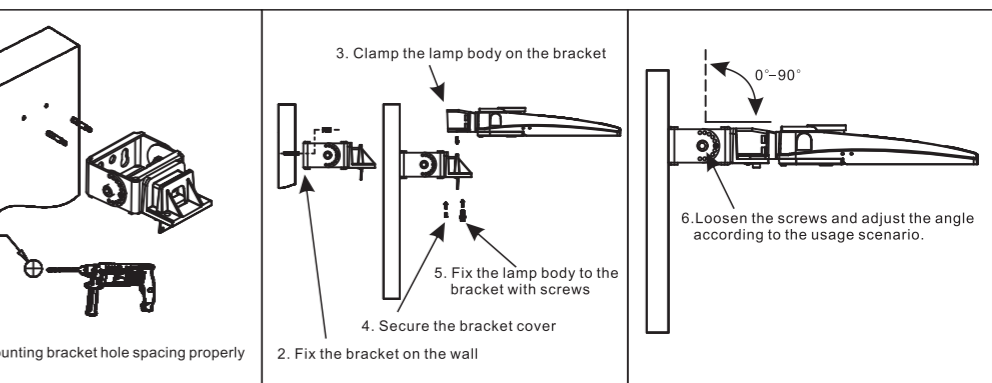
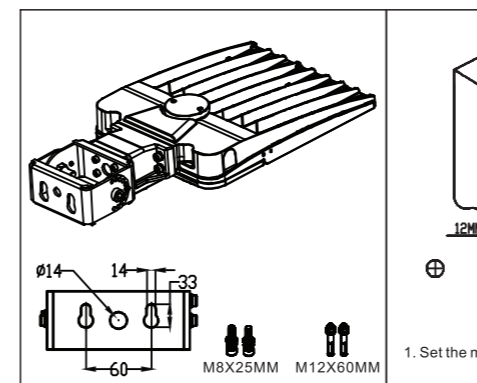
Round / Square pole arm installation steps



Round / Square pole installation

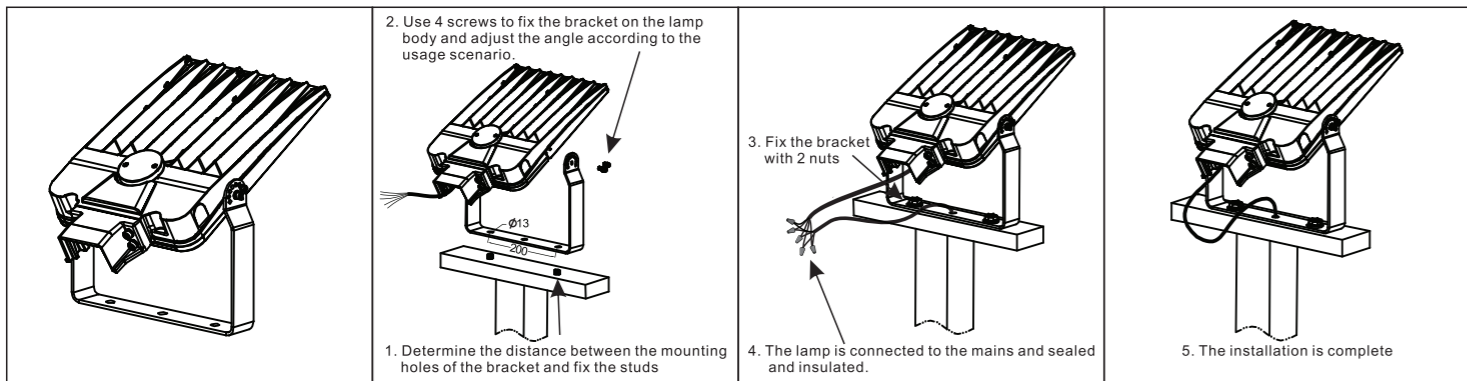


Trunnion installation steps



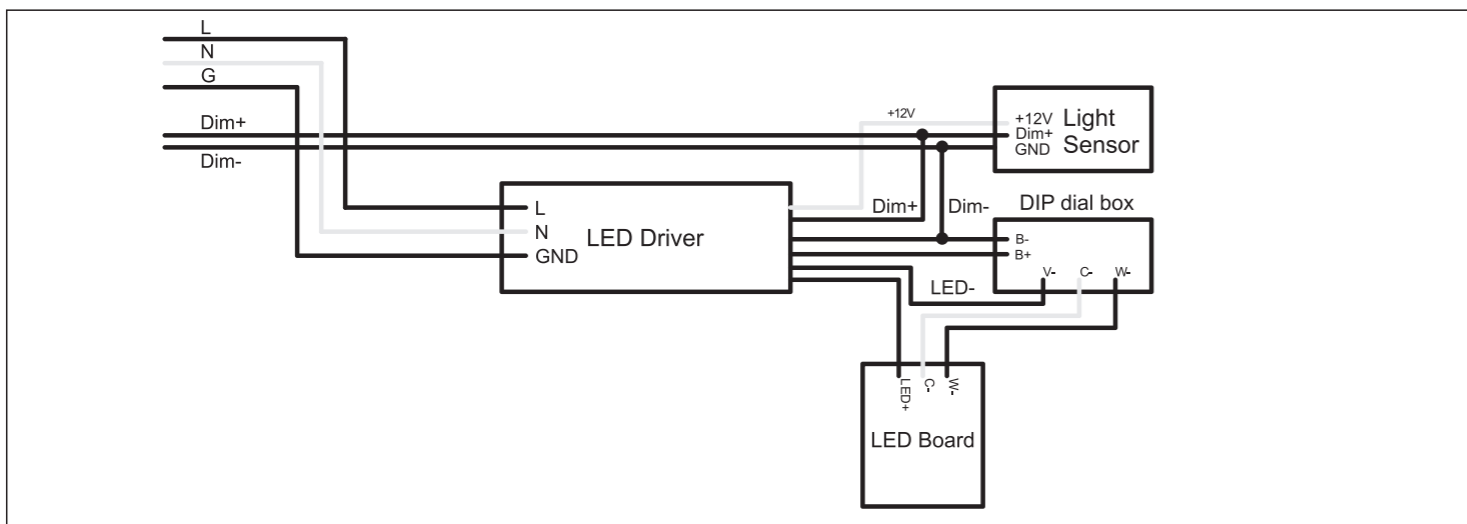


U-shaped bracket installation steps

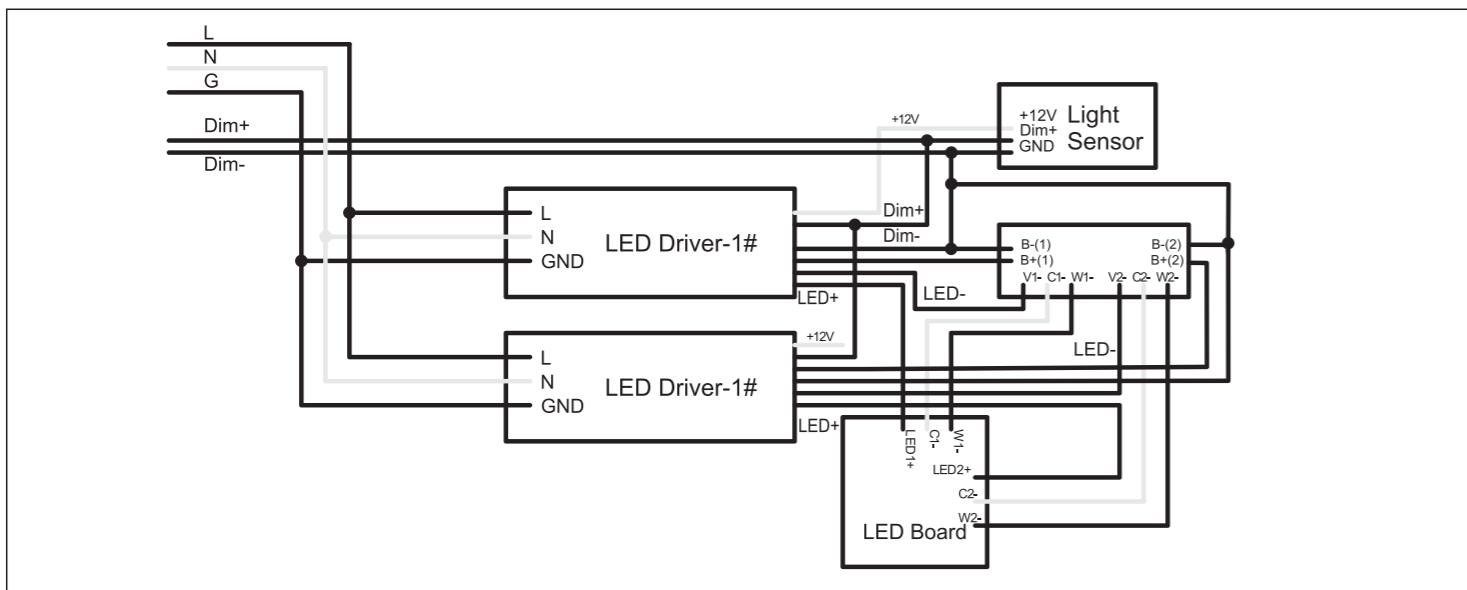


Fixture wiring diagram

120-277Vac 60-300W wiring diagram

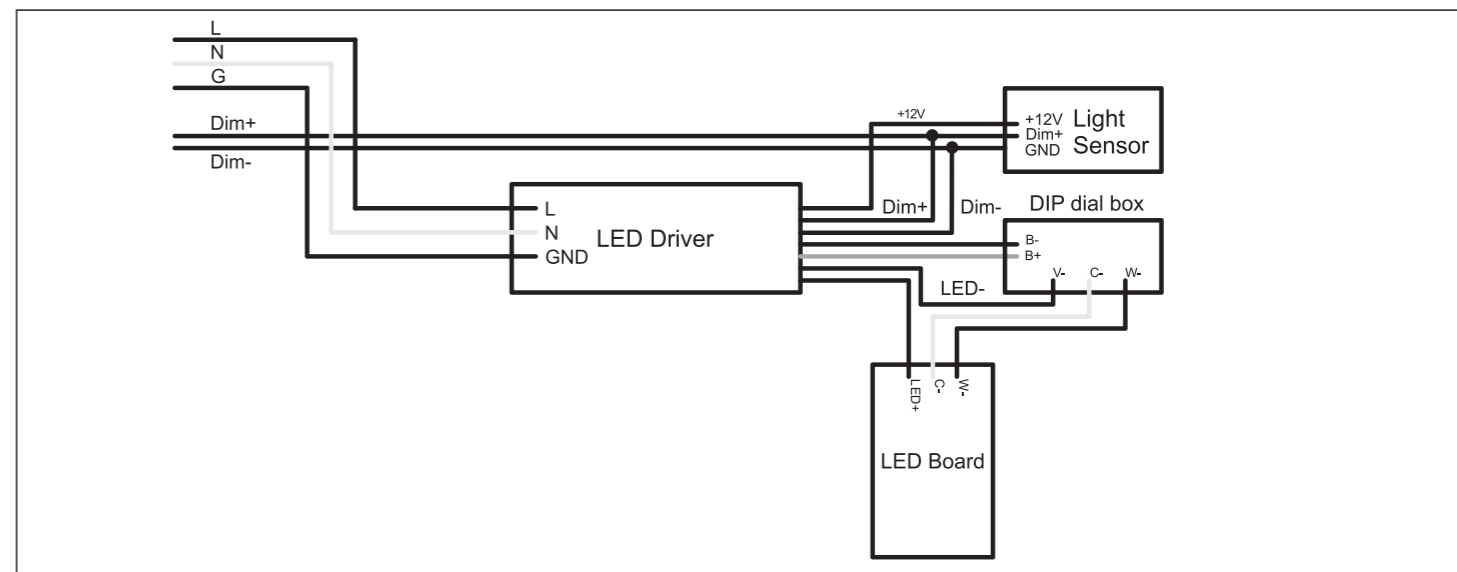


120-277Vac 500W wiring diagram



Fixture wiring diagram

277-480Vac 60-300W wiring diagram



277-480Vac 500W wiring diagram

