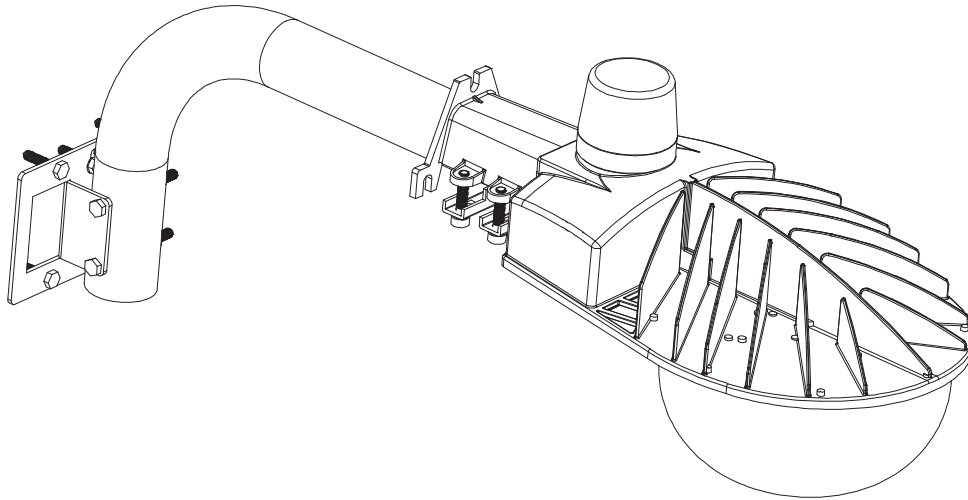


LED Dusk to Dawn Installation Instruction



Please read the installation manual carefully before installation and keep the manual for future use.



Warning

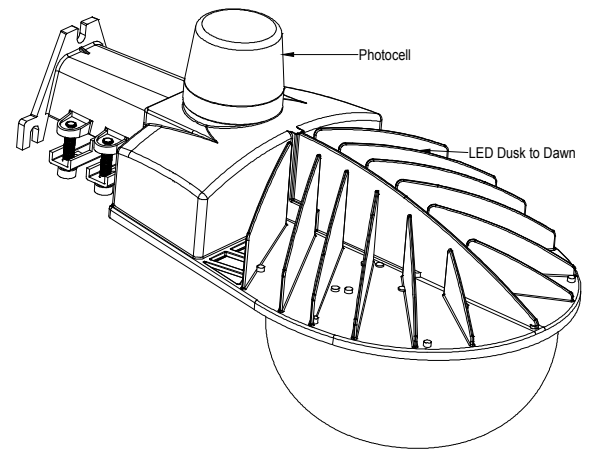
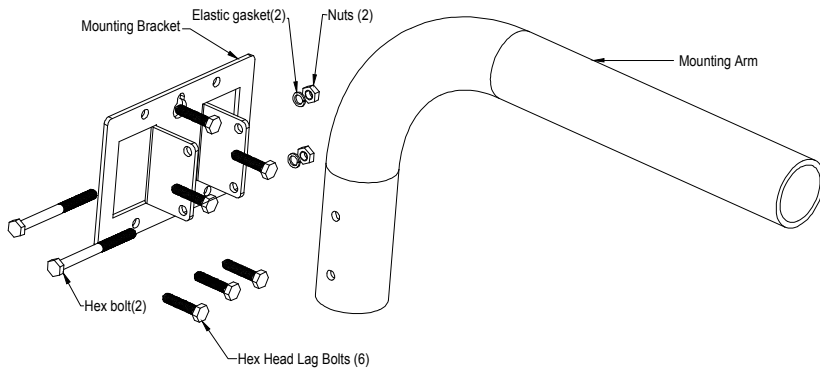
1. Electrician must have related certificates, knowledge and working experience. The work must be assigned to each electrician based on their position and responsibility.
2. The lens of LED Dusk to Dawn are PC material, which will be scratched if handled carelessly. They must be protected and handled carefully during installation. When the face of luminaires is put downward, it must be protected with soft cloth or other protecting materials.
3. Installation must be proceeded when the electricity is shut off, no action taken if there is electricity connected.
4. Installation must be proceeded according to related regulations, including the tools and equipments used. For example: working voltage range, Warning sign, flashing lamp, helmet, and working clothes etc.
5. Make sure the weather is suitable for high power electricity work when proceed Installation.



Statement

1. The crane used to install the LED Dusk to Dawn must come with lifting platform, warning signs and flash lamp etc.
2. Electric power must be cut off before installation or maintenance of LED Dusk to Dawn.
3. Maintenance must be performed by professional staff.

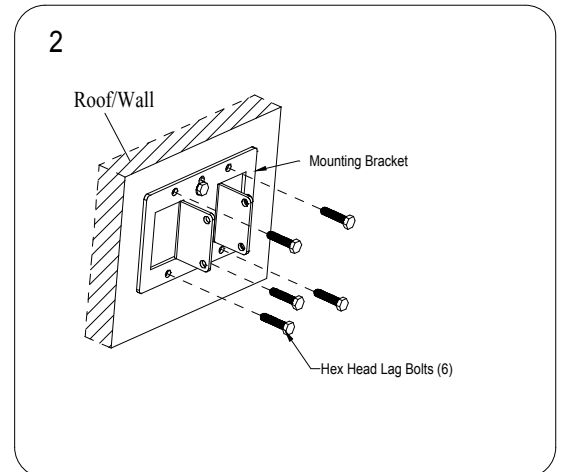
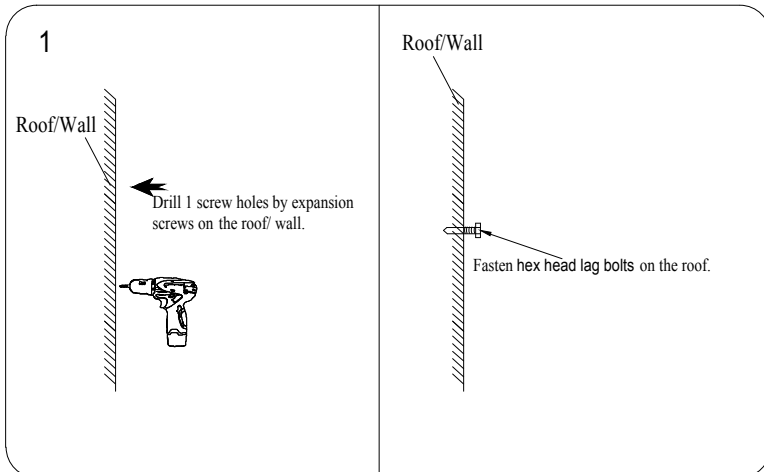
Mounting accessories and lamp part introduction



Preparation for installation of LED Dusk to Dawn

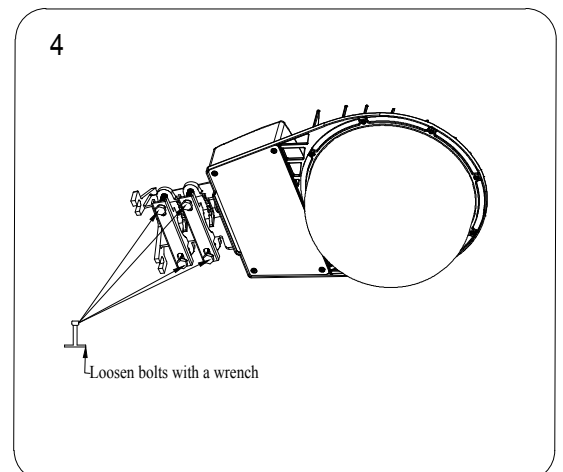
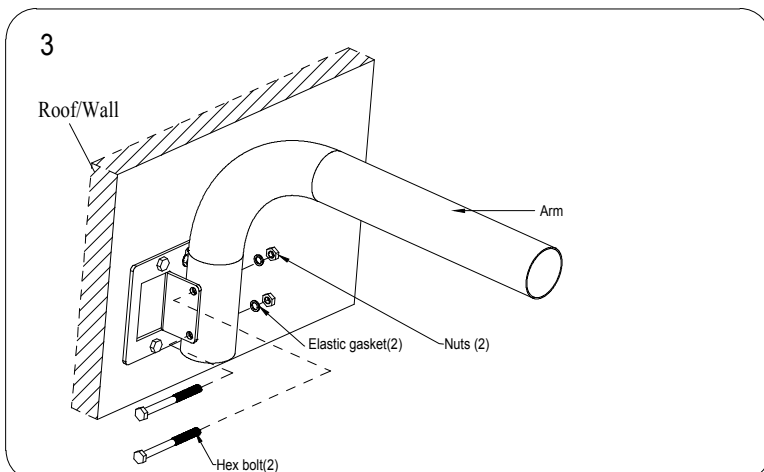
Step 1 : Drill 1 screw holes by expansion screws on the roof/ wall. Fasten hex headlag bolts on the roof/ wall.

Step 2 : And anchor the 5 hex head lag bolts to mounting bracket to the wall.

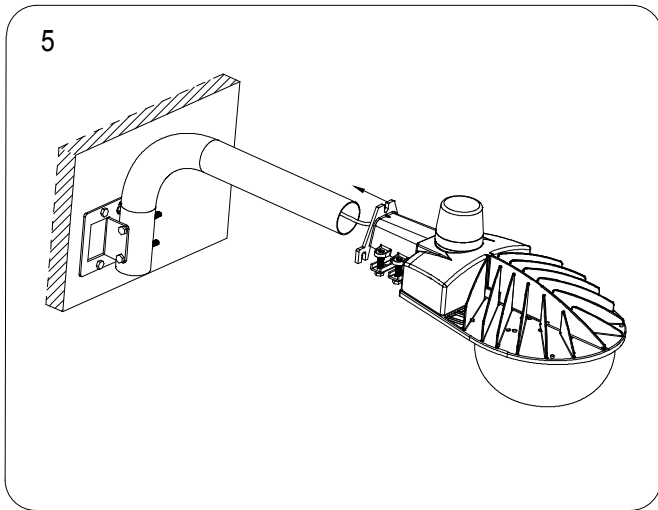


Step 3 : Install the mounting arm to the fixing bracket with screws.

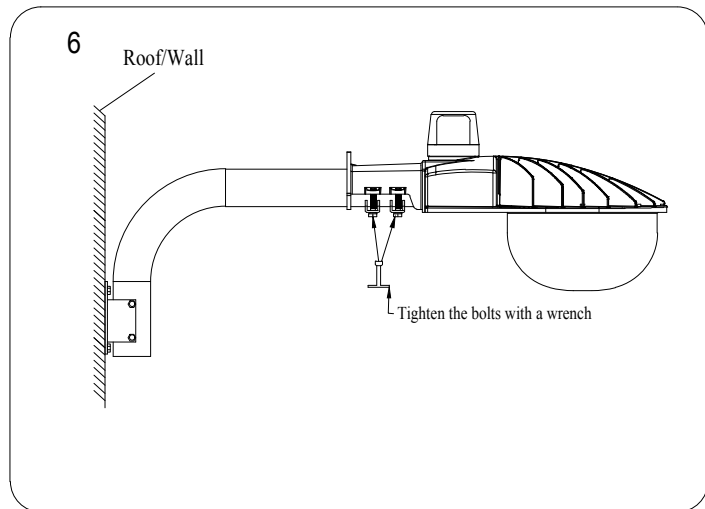
Step 4 : Using a wrench to loose the bolt with 4 N-M force.



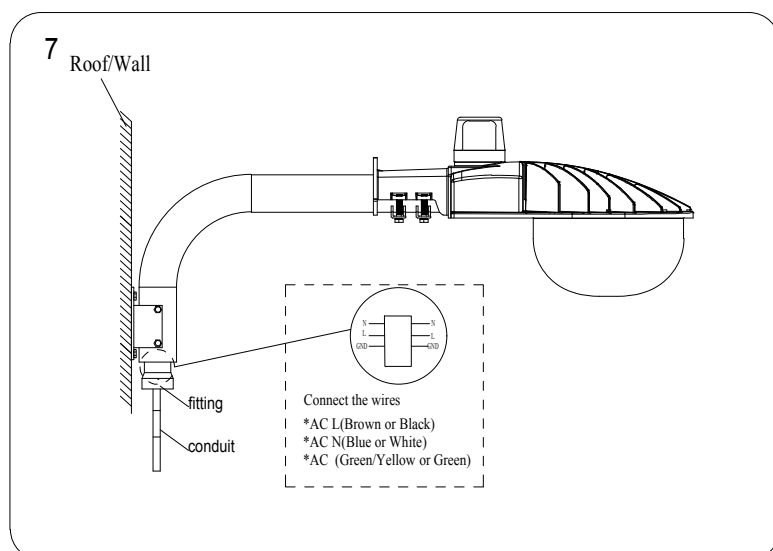
Step 5: Insert the arm into the lamp body.



Step 6 : Tighten the bolts with a wrench



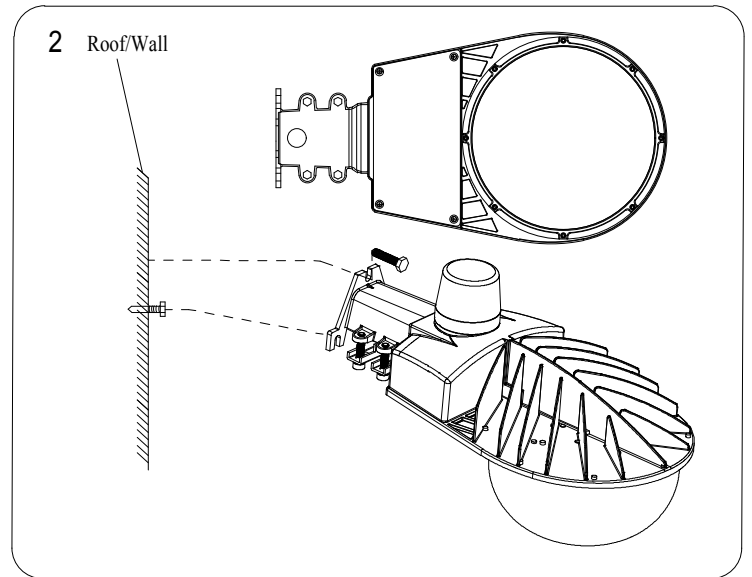
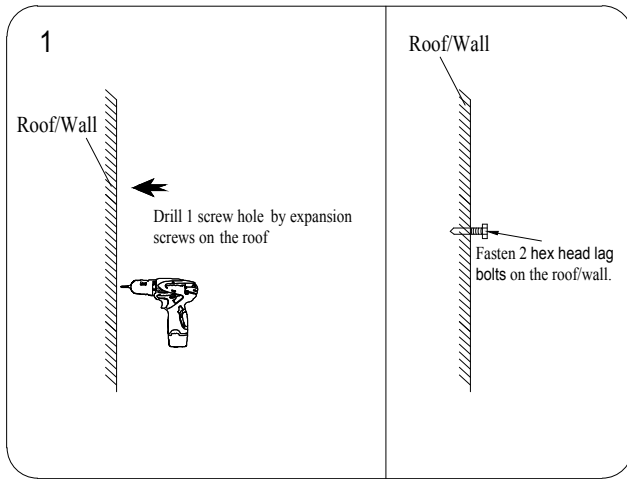
Step 7 : Wiring, connect the L,N,GND wires on the lamp to the corresponding L,N,GND cables on the conduit.



Preparation for installation of LED Dusk to Dawn

Step1 : Drill 2 screw holes by expansion screws on the roof/Wall.

Step 2: Anchor the 3 hex head lag bolts to the wall.



Step 3 : Wiring, connect the L,N,GND wires on the lamp to the corresponding L,N,GND cables on the conduit.

