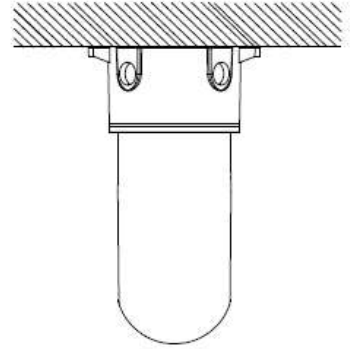


INSTALLATION INSTRUCTIONS

EP104 SERIES VAPORTIT FIXTURE

CAUTION

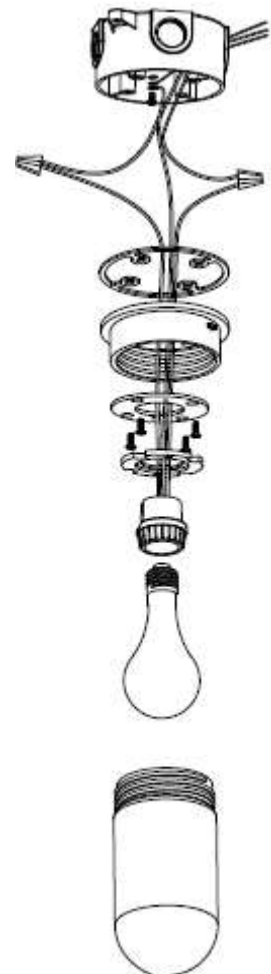
- Read and follow the installation instruction before installing or relamping this light fixture.
- Disconnect power before installation or servicing
- Install, operate and maintain to meet all applicable codes
- Protect all wiring connections with approved insulators (by others)
- Selected fixture voltage must match supply line voltage.



WARNINGS : Turn off power supply to avoid the risk of electrical shock. This product must be wired and applicable local codes and ordinances. Proper grounding is required to ensure personal safety. A qualified electrician should do all work.

INSTALLATION:

- Disconnect all electrical power from the source as per the Canadian electric code (CEC)
Turn off and lock circuit breakers
or remove fuses protecting the circuit
- Complete connections as per the diagram and the CEC
Using approved methods and devices. Proper connection must include ground wire.
- Relamp with proper wattage lamp only—allow fixture to cool for relamping.
Lamps: (size vary by manufacturer, so caution must be taken with Max lamp Sized stated.)
Incandescent maximum size: A21, 150W
- Min Supply Conductor Requirements 90°C



Applications:

- Suitable for Wet Location
- Industrial, commercial and agricultural use
- Suitable for ceiling mounted