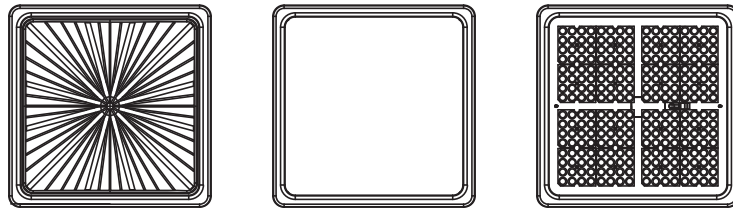


INSTALLATION INSTRUCTIONS



SAVE THESE INSTRUCTIONS READ THOROUGHLY BEFORE INSTALLATION



TLCAUSF45/70ABK

WARNING! Fixtures must be grounded and installed in accordance with the National Electrical Code and all local codes. Failure to do so may increase the **RISK OF PERSONAL INJURY, PROPERTY DAMAGE, FIRE AND DEATH**. Install and use so fixture failures do not cause a hazard and use only in environments for which the product is specifically marked.

WARNING! This product can expose you to chemicals including lead and lead compounds, which are known to the State of California to cause cancer and birth defects or other reproductive harm. For more information, go to: www.P65Warnings.ca.gov

WARNING! Dangerous voltage exist within the unit and all precautions usually observed in handling high voltage equipment should be observed when replacing light engine or otherwise servicing luminaires. Disregarding this warning could result in electrical shock and possible injury to the individual installing or servicing this equipment. Installation and servicing should be done by qualified personnel.

CAUTION! Follow ALL luminaire recommendations, product markings, instructions, restrictions and warnings regarding luminaire operation and burning position. Luminaire label shows electrical and environmental requirements and restrictions.

NOTE! This luminaire is designed for outdoor lighting applications with ambient temperatures not exceeding 40°C (104°F).

All electrical work must be done by a qualified electrician.

Turn off electric power to all affected circuits and allow to cool before installation or servicing.

A regularly scheduled maintenance program should be established to retain optimum light output and reduce heat retention. Dusting with a soft, clean, dry cloth is normally sufficient for the optical system. Any accumulation of dust or dirt should be removed regularly.

Carefully read these instructions before installing product.

Give instructions to facility owner/manager for future reference.

Mounting The Fixture

Tools Required: Phillips screwdriver

- Turn off power to electrical connections.
- **Wiring must be performed by a qualified electrician.**
- Make electrical connections according to the local and National Electrical Codes.
- **This product is suitable for 120V to 347V wiring.**
- Remove fixture from packaging along with hardware bag that contains a junction box gasket and wire nuts.
- Remove 1/2" plug in center (B) for wiring. The fixture supports standard 3 1/4" and 4" junction box.
- Mounting of fixture can be achieved by one of the methods below (see figure 1):
- Install the fixture on the wall making sure to use the provided junction box gasket to protect from water. Fixture should be oriented as shown in pictures at the top of this instruction page.

Black	○	Line
White	○	Neutral
Green	○	Ground
Purple	○	DIM+
Gray/Pink	○	DIM-

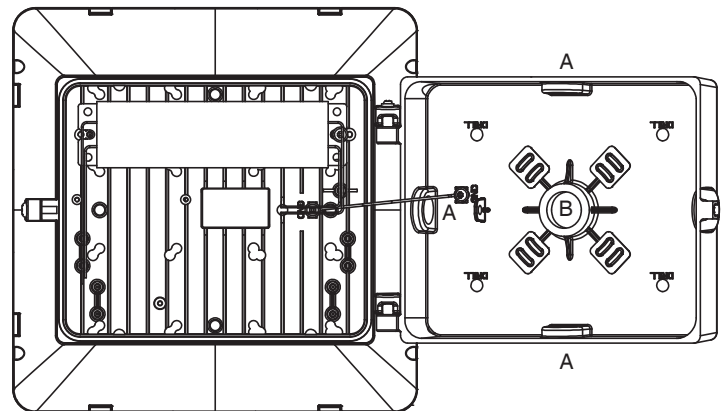


FIGURE 1

A - 1/2" NPT tapped holes (surface conduit or photo control)
B - 3/4" NPT tapped holes