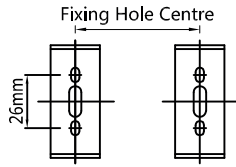


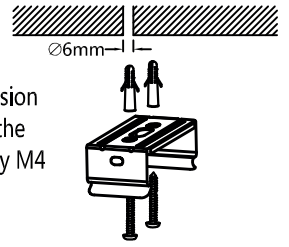
A : Turn off the switch.

B ① Drill $\varnothing 6\text{mm}$ holes according to below drawing.

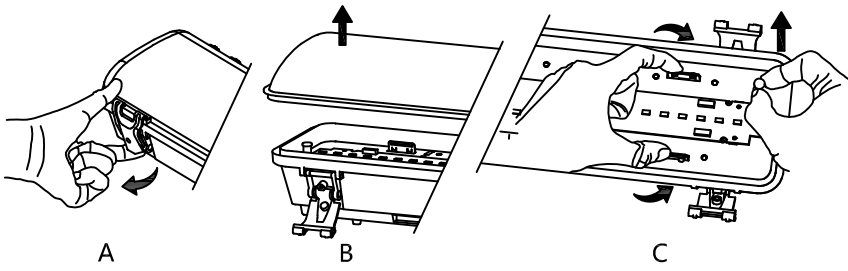
Model	Power	Fixing Hole Centre
TLVPU4X42XD	42W	340mm/720mm
TLVPU5X72XD	72W	584mm/1164mm



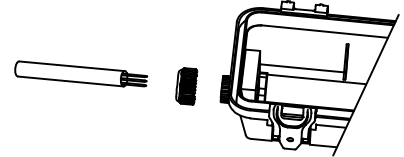
② Insert $\varnothing 6\text{mm}$ expansion pipe in the wall, fix the mounting bracket by M4 screw.



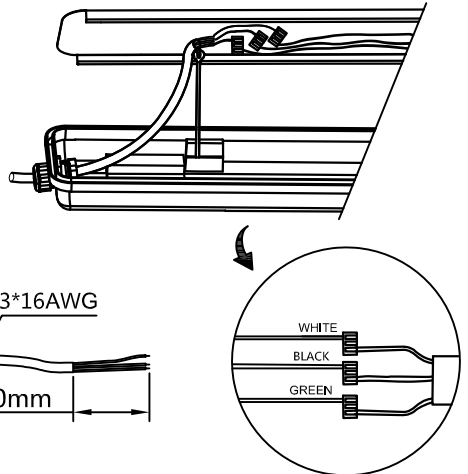
- C**
- ① Firstly open the clips like picture A
 - ② Secondly take off the diffuser like picture B
 - ③ Hold on the stainless fixator, take off the gear tray like picture C



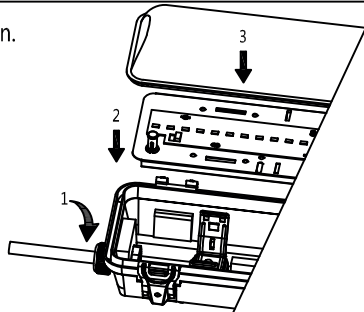
D ① Loosen the nut of the cable gland, put the cable through the cable gland.



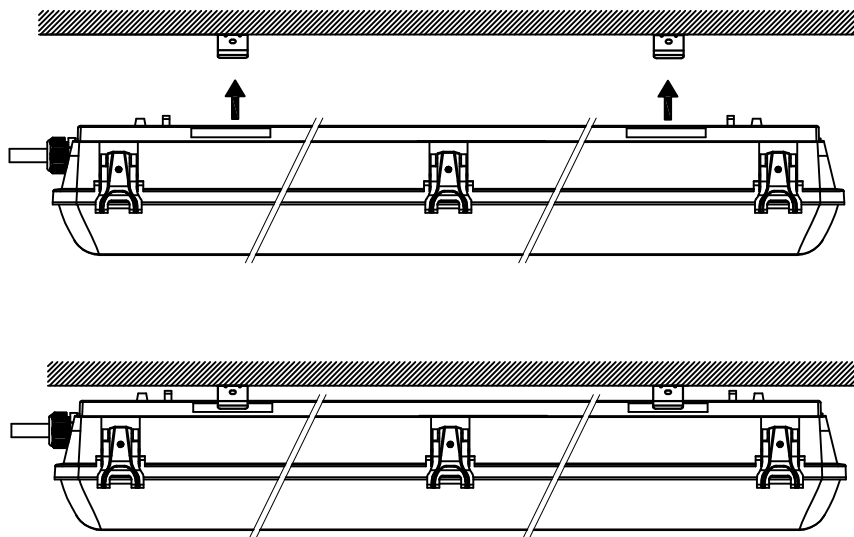
② Connect the cable on the terminal block as below shown and tighten the cable gland



- E**
- ① Tighten cable gland as below shown.
 - ② Fix gear tray with the housing.
 - ③ Close the diffuser.



F ① Fix the lamp on the wall.



1) "SUITABLE FOR WET LOCATIONS" in form S24L2.
 2) if wall mounted "SUITABLE FOR MOUNTING WITHIN 1.2(4 ft) OF THE GROUND" in form S24L2.

