

# CCT ADJUSTABLE SWITCH SETTING INSTRUCTION

## Introduction:

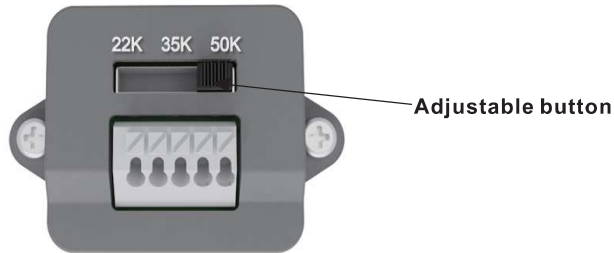
CCT adjustable switch is manually adjustable switch for adjusting the color temperature, which have 3 adjustable models. Factory default setting: 5000K

## Specifications:

Adjustable model:	2200K, 3500K, 5000K
Electrical Life:	2,000 cycles typical
Insulation Resistance:	> 100MΩ min
Operating temperature:	-22°F-158°F (-30°C ~ +70°C)
Storage temperature:	-40°F-185°F (-40°C ~ +85°C)

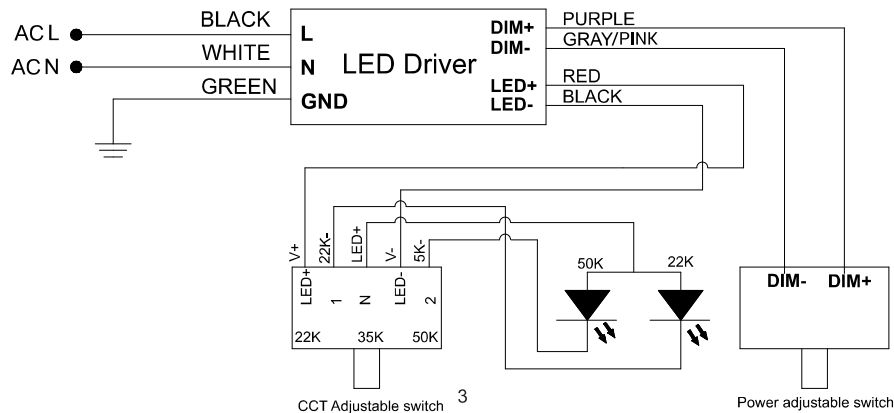
## CCT Adjustable Switch Setting Instruction:

1. Loosen screws and open the door to setting area.
2. Turn left or right "Adjustable button" to get required CCT.



3. Make sure that wires are not pinched, the door gasket did not move from original position, and sits in its groove on door properly, reinstall the door, tighten the screws.
4. Notes: All wire connection has to be operate by professional electricians.
5. Pictures are only for information, take practicality as standard.

## Wiring Diagram:



# POWER ADJUSTABLE SWITCH SETTING INSTRUCTION

## Introduction:

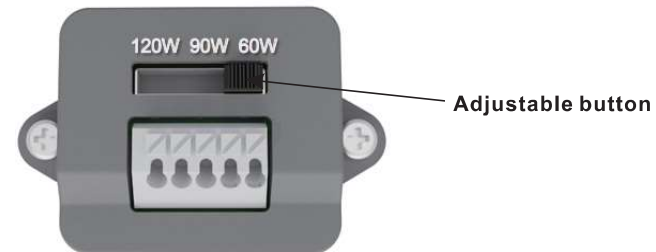
Power adjustable switch is a manually adjustable switch for adjusting the power(wattage) based on people's needs on daily life, which have 3 adjustable periods. we mold the switch independently and well-design to saving energy and green life with adjusting appropriate power. It is convenient for lowering inventory risk, Note: Sold separately, Factory default setting:The max wattage.

## Specifications:

Adjustable period:	120W/90W/60W or 40W/30W/20W/15W
Electrical Life:	2,000 cycles typical
Insulation Resistance:	> 100MΩ min
Operating temperature:	-22°F-158°F (-30°C ~ +70°C)
Storage temperature:	-40°F-185°F (-40°C ~ +85°C)

## Power Adjustable Switch Setting Instruction:

1. Loosen screws and open the door to setting area.
2. Turn left or right "Adjustable button" to get required wattage. (See below picture)



3. Make sure that wires are not pinched, the door gasket did not move from original position, and sits in its groove on door properly, reinstall the door, tighten the screws.
4. Notes: All wire connection has to be operate by professional electricians.
5. Pictures are only for information, take practicality as standard.