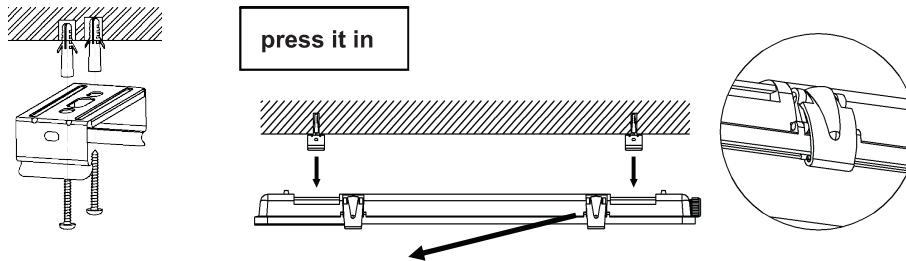
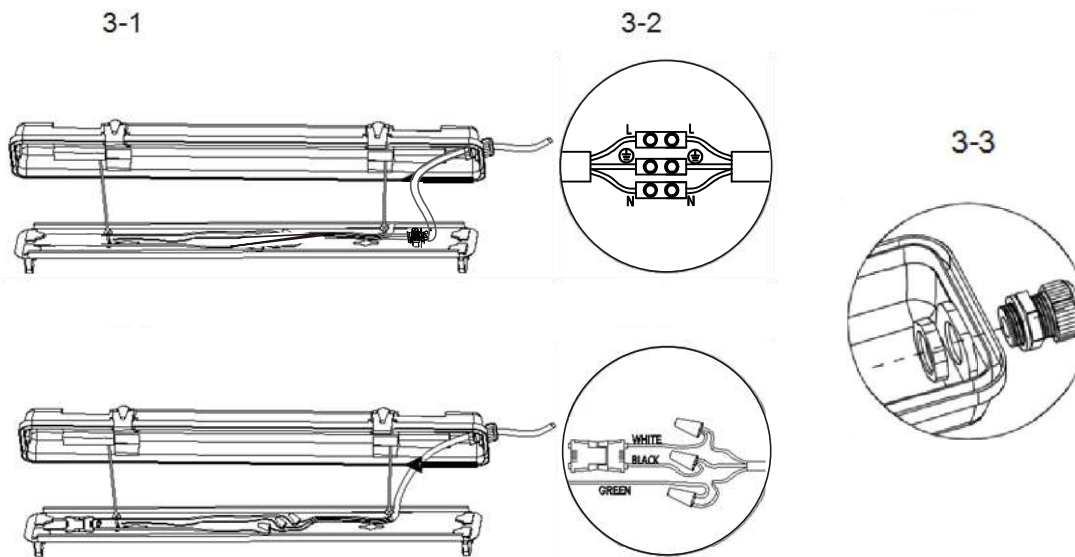


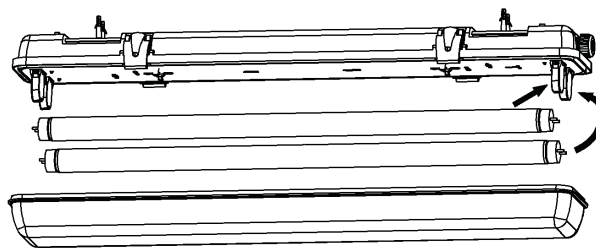
1. Drill  $\phi 6$  hole, and press 6x30 expansion bolt in the wall, fix the mounting bracket on the wall by ST4x30 bolt
2. Lock the clips on the base, and then fix the lamp base on the mounting bracket



3. Put power cord through the cable gland, connect power cord with terminal : Black (L) to (L), White (N) to (N); screw the cable gland tightly, and ensure the gasket in place



4. Fix the reflector by bracket, put the tube into the lamp holder, lock the base and diffuser by clips.



### Safety Notice

- Electronic installation should be done by professional person only
- Disconnect the luminaire from supply and wait until luminaire is cooled down, before replacement of the tube
- Never touch the tube while luminaire is switched on
- In any case of malfunction disconnect luminaire from supply immediately. Do not try to repair the luminaire yourself, repair should only be done by professional person or official service agent.
- Luminaire is not intended for looping-in connections

### Markings

- 1) "SUITABLE FOR WET LOCATIONS" in form S24L2.
- 2) If wall mounted "SUITABLE FOR MOUNTING WITHIN 1.2(4 ft) OF THE GROUND" in form S24L2.