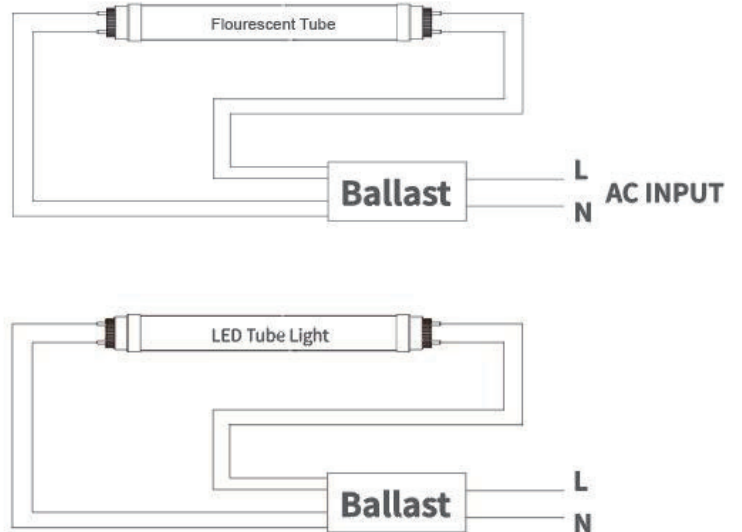


Wiring instructions

Type A

1. Turn off the power.
2. Remove diffuser (if provided).
3. Remove the fluorescent tubes . Please dispose of these items properly as they contain mercury.
4. Install the led tubes , close the diffuser.
5. Turn on the power.

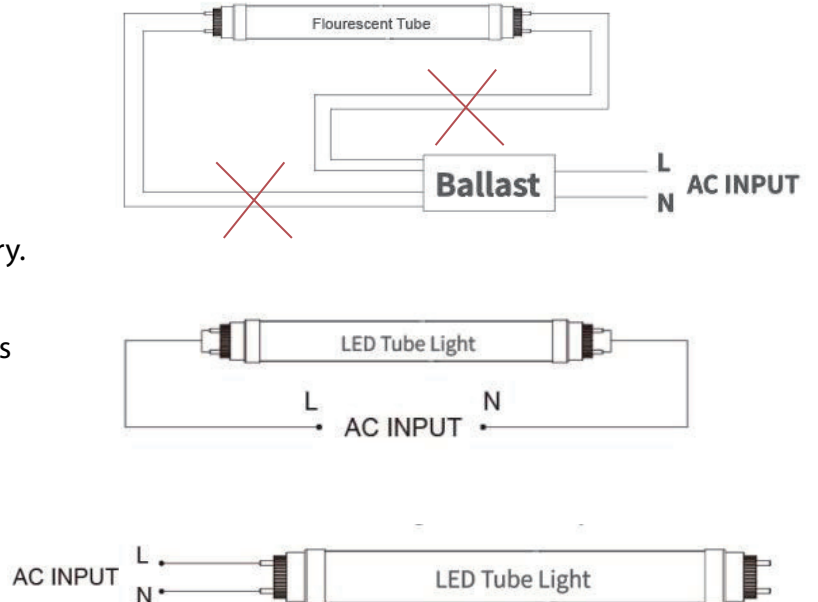
With Ballast (Type A)



Type B

1. Turn off the power.
2. Remove diffuser (if provided).
3. Remove the fluorescent tubes . Please dispose of these items properly as they contain mercury.
4. Cut the wires as shown in the diagram.
5. Make the new wire connect to branch circuit as shown.
6. Replace the cover over the wiring channel.
7. Install the led tubes , close the diffuser.
8. Turn on the power.

Without Ballast (Type B)



WARNING

1. These lamps should be installed by a licensed electrician.
2. These lamps should be used indoors(damp or dry locations only).Not suitable for wet location.
3. Make sure tombstones/lampholder are still in good condition and not defected before installation.
4. Put LED tubes/G5 pins into right position of the socket,install properly.