

FLUSH MOUNT LUMINAIRE WITH DIMMING FEATURE

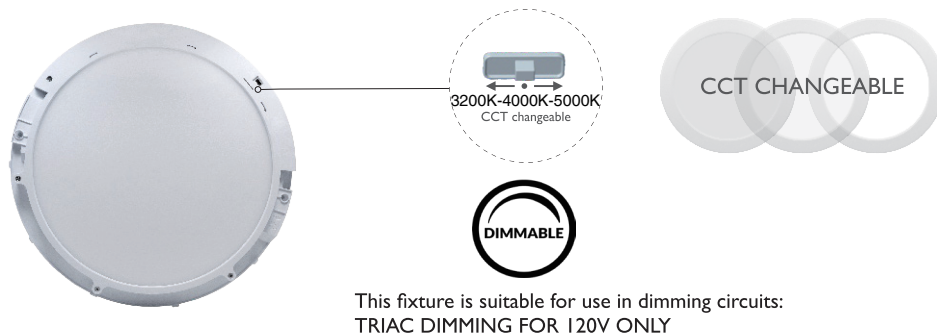
SAFETY INFORMATION

- Read all instructions before beginning; Save these instructions for future use.
- To reduce the risk of fire, electric shock, or injury to persons, pay close attention to this manual and stay within its guidelines when using this product.
- LED light installation requires knowledge of flush mount luminaires and their electrical systems. If not qualified or uncertain, do not attempt installation: contact a qualified electrician.
- Supply conductors (power wiring) connecting the fixture must be rated for a minimum of 90°C.
- Do not make or alter any open holes in wiring enclosures, nor in any electrical components during kit installation.
- Do not alter, relocate, or remove wiring, lamp holders, power supply, or any other electrical component.
- This fixture is suitable for use in dry, damp locations.
- Do not use these products in luminaires located where elevated ambient temperatures exist.
- To avoid electrical shock, do not turn on fixture with missing or damaged rims.
- Use only a mild soap and water with soft cloth to clean the fixture. Harsh chemicals will damage the finish. Do not wipe the fixture with a rough cloth that may scratch the finish or lens.

-25°C < Ta < +40°C, 100-130V~50/60Hz, Suitable for damp location

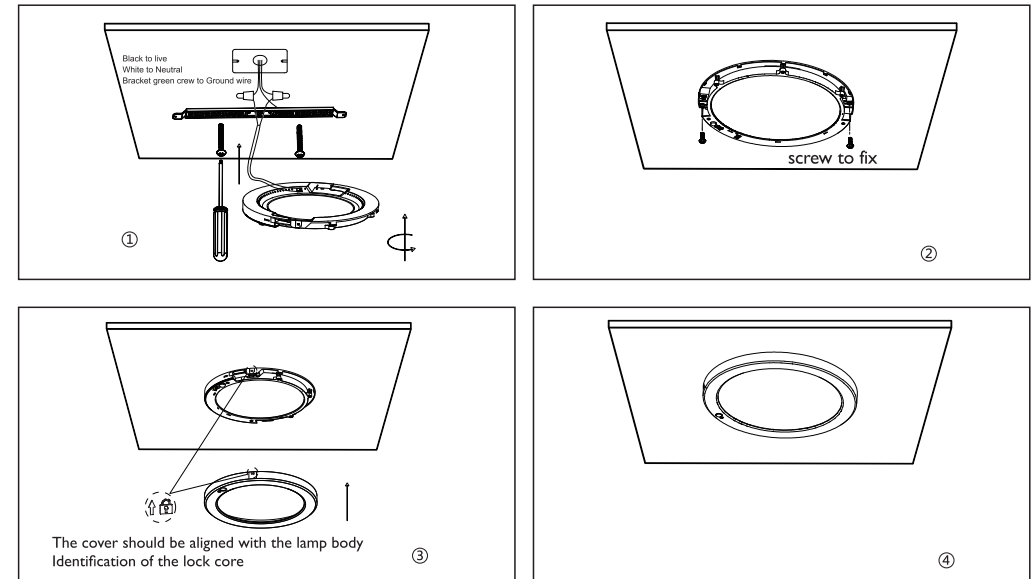
INSTALLATION:

1. Ensure power is disconnected at the source and any wall switches are in the "off" position.
2. Wire connection: Black to live, White to Neutral, Bracket green crew to Ground wire



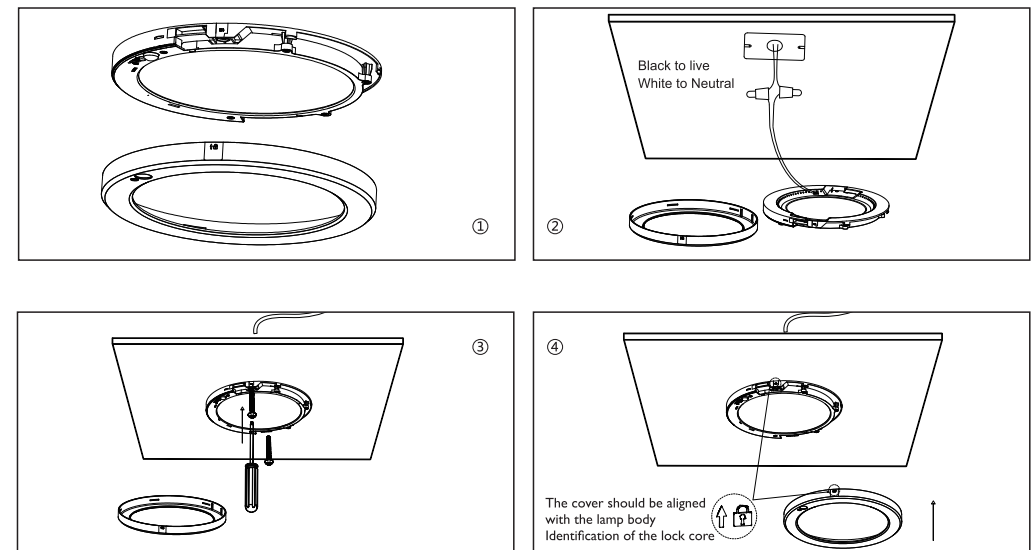
The Installation must be carried out by a qualified electrician

Flush-mount with bracket



1. Take off the rim from the fixture.
Fix the bracket onto the junction box with screw, get though.
Connect the ground wire to the green screw on the bracket
Connect the power supply cable to main wire:black in Live, white in Neutral Twist on the fitting to the bracket.
2. Fix the lamp with two screws
3. Install surface cover to light body. Ensure lock marks are matched.
4. The installation is complete

Flush-mount without bracket



1. Take off surface cover
2. Connect power cable with terminal
3. Use screws fixing light onto roof through fixture housing holes
4. Install surface cover to light body. Ensure lock marks are matched.