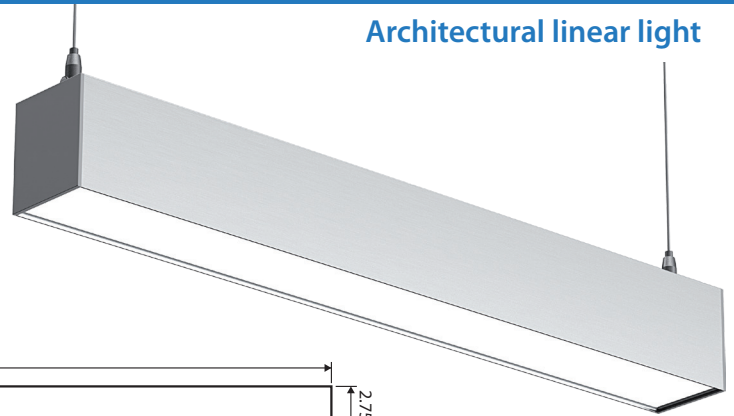
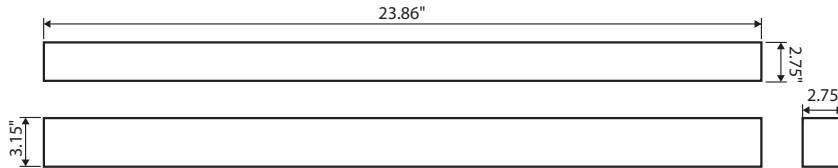
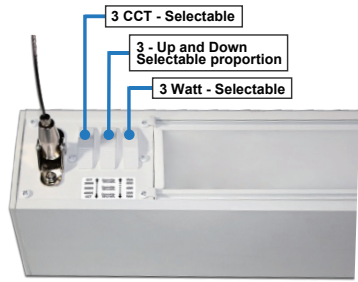


Architectural linear light



Specifications TLARLUS2F30ABN

Electrical Specifications

Model No.	TLARLUS2F30ABN
DLC ID	N/D
Power (W) selectable \pm 10%	20W / 25W / 30W
Input Voltage (V)	AC 120/347V, 50/60Hz
Efficacy \pm 3%	115 lm/W
Power Factor (PF)	0.9
Surge protection	4 Kv
Total harmonic distortion	< 20%
Dimmable	0-10V

Photometric Specifications

CRI	>80	
CCT selectable	3500K / 4000K / 5000K	
Beam angle	120°	
Light Output \pm 3%	20W: 2300 lm	25W: 2875 lm
	30W: 3450 lm	

Mechanical Specifications

IP Rating	IP20
Material	Aluminum + PC
Lens	Frosted
Net Weight	1.50 kg
Product size (mm)	\pm 606 x 70 x 80 mm
Product size (inch)	\pm 23.86" x 2.75" x 3.15"
Operating Humidity	10% to 90%
Operating Temperature	-20°C to 45°C
Lumen maintenance	>82% at 100 000 hours

Accessories (not included)

TLARLSR	Suspension cables	TLARLPCBN	Suspension connecting kit	TLARLLB	Junction support to join 2 luminaires
TLARL2SBBN	Surface installation kit	TLARLWBBN	Wall installation kit	TLARLUSLRF30ABN	Architectural "L" shape luminaire (Right angle)
TLARLUSLLF30ABN	Architectural "L" shape luminaire (Left angle)	TLARLUSXF60ABN	Architectural "X" shape luminaire	TLARLUSTF50ABN	Architectural "T" shape luminaire

Product description:

- Modular luminaire available in 2, 4 and 8 feet.
- Wide supply voltage supply range 120 / 347 V.
- Selectable power and CCT.
- Direct and indirect lighting.
Selectable up/down configuration : 0% up 100% down / 30% up 70% down / 50% up 50% down.
- Its versatile design makes installation easy which reduces installation time and costs.
- Savings on energy consumption compared to conventional lighting.
- Warranty: 5 years.
- Compatible with most sensors.
- 3 installation options: suspended, surface mount or wall mount, accessories not included.
- Maximum of 420W at 120V, 840W at 240V and 1200W at 347V per circuit.

Applications:

Suitable for offices, schools, shops, showrooms etc.