



INSTALLATION MANUAL GEN II /LED Linear Light

IMPORTANT SAFETY INSTRUCTION

Read this installation guide prior to attempting installation. Always turn OFF the main power before starting your installation. Consult a qualified electrician before installation. Installation should be carried out by a qualified electrician.

During installation, basic safety precautions should always be followed, including the following listed.

1. Do not install the lighting system in a wet location.
2. Ensure the appropriate connectors match the luminaire fixture
3. Do not install any part of the luminaire less than 5 feet above the floor.
4. Do not install any luminaire assembly closer than 5 inches from any window treatments, i.e., curtain, blinds or any similar combustible type material.
5. Do not attempt to energize anything other than the luminaire fixtures.
6. To reduce the risk of fire and electric shock, do not attempt to connect to power tools, extension cords, appliances, or the like, to the track.
7. maintenance of the luminaires should be performed by person(s) familiar with the luminaires construction and any hazards involved. regular fixture maintenance programs are recommended.
8. Do not exceed the nominal supply voltage or amperage ratings.
9. Turn the power OFF at the fuse or circuit breaker box before doing any installation or maintenance activities.
10. Wear rubber soled shoes and work on a sturdy wooden or non-conductive ladder.
11. The lighting product must be mounted in locations and at heights in compliance with the National Electrical Code and with local building codes. Installing contrary to instruction may cause unsafe conditions.
12. To avoid hazards to children, take accountability for all parts and dispose all packing materials properly.

13. It may be necessary to clean the refractor / lens. Frequency of cleaning will depend on ambient dirt level and minimum light output which is acceptable to the user. Refractor / lens should be washed in a solution of warm water and any mild, non-abrasive household detergent, rinsed with clean water and wiped dry. Should optical assembly become dirty on the inside, wipe refractor / lens and clean in above manner, replacing damaged gaskets as necessary.
14. Call the Technical Support department about any installation questions.
15. Do not install a damaged product. This luminaire has been properly packed so that no parts should have been damaged during transit. Inspect to confirm. Any part damaged or broken during or after assembly should be replaced.
16. These instructions do no purpose to cover all details or variations in equipment nor to provide every possible contingency to meet in connection with installation, operation or maintenance. Should further information be desired or particular problems arise, not covered sufficiently for the purchaser's or owner's purposes, please contact the Technical Team.



CAUTION

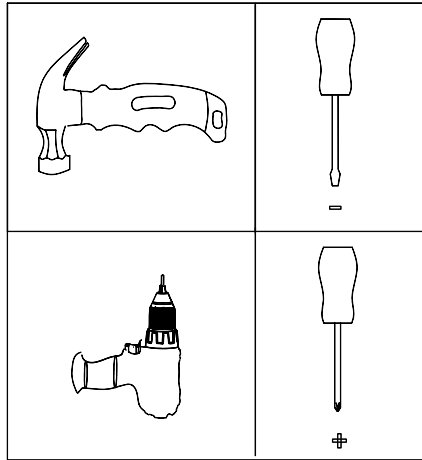
This equipment is intended to be installed only by qualified personnel. The installation must be made in accordance with the current edition of the National Electrical Code (NEC) and all applicable state and local building codes. The final installation must be approved by the appropriate, qualified electrical / building inspector(s). Improper installation may result in a fire or electrical hazard. Ensure the electrical power to the circuit has been disconnected before installing the electrical system .



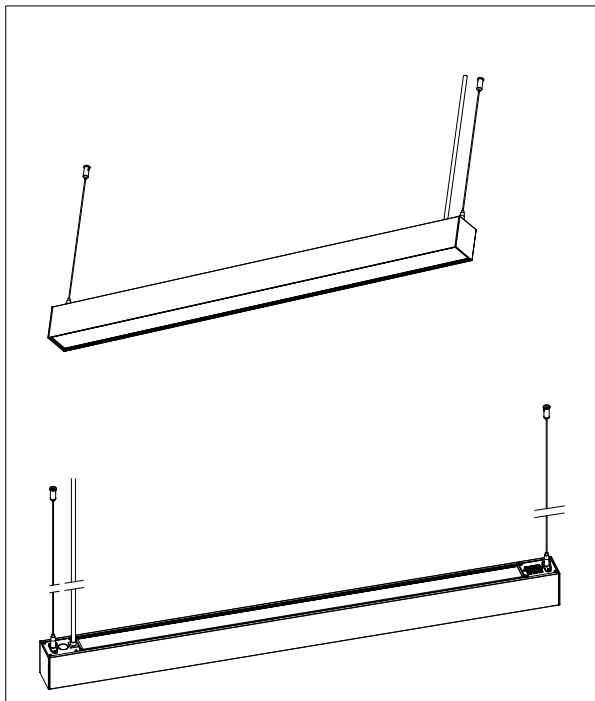
WARNING

- Risk of fire. Most dwellings built before 1985 have supply wire rated at 60°C.
- Consult a qualified electrician before installation.
- Properly ground electrical enclosure.
- To prevent wiring damage or abrasion, do not expose wiring to edges of sheet metal or other sharp objects.
- Use only UL approved wire input/output connections. Minimum size 18 AWG or 14AWG if there are any continuous runs.
- If the fixtures are connected in a continuous run, do not exceed allowable number of fixtures in series/power in continuous runs.
- Inrush currents must be taken in account by the electricians to account for proper circuit design.

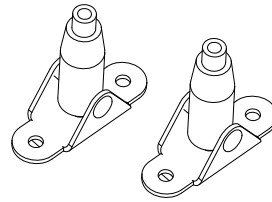
TOOL



A1) .Rope Suspension Installation



Installation Kits



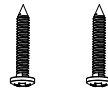
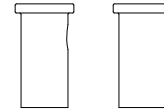
Steel wire rope pedestal 2pcs



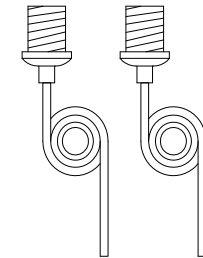
PM4*8 Screw 4pcs



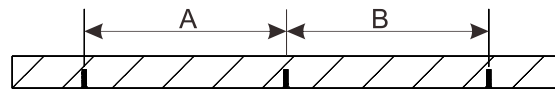
Plastic Anchor 2pcs



PA4*30 Screw 2pcs



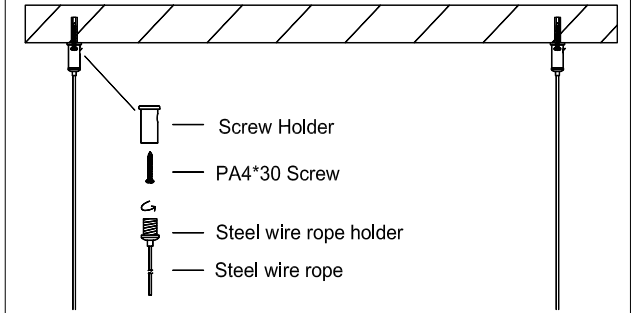
Steel wire rope 2pcs



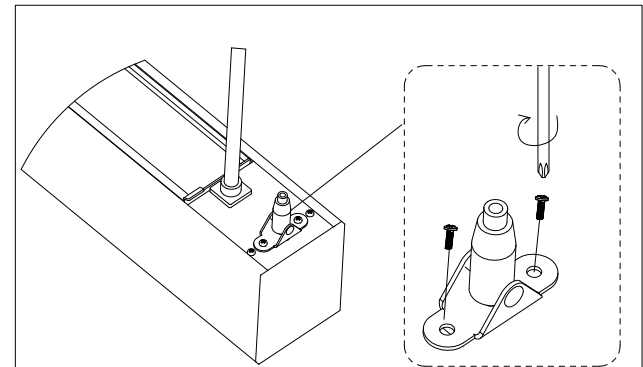
Plastic anchor 2pcs

No.	Size	A(in)	B(in)
1	2FT	22.205	/
2	4FT	45.827	/
3	6FT	69.449	/
4	8FT	46.535	46.535

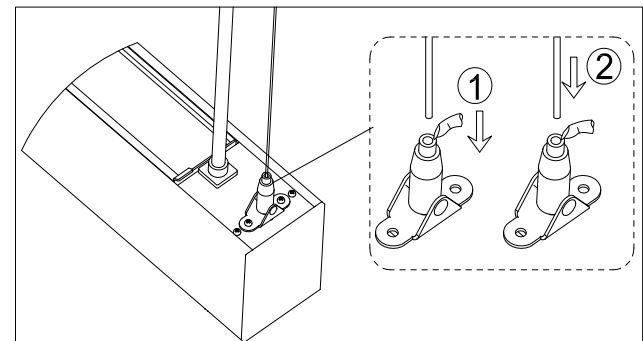
1. Drill a hole of 5.0mm in diameter at the location required for installation. Then install the plastic anchor to the hole with hammer.



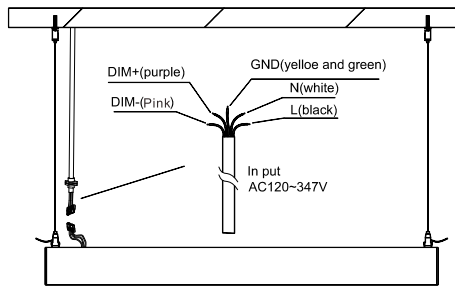
2. Insert PA4*30 Screws into the screw holder and then drill into the plastic anchor.



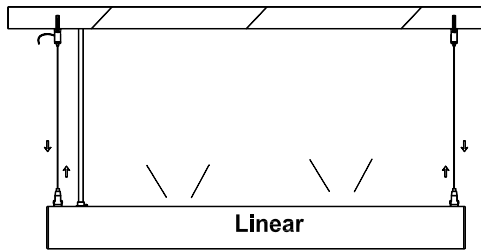
3. Lock the steel wire rope pedestal to the ends plates with PM4*8 screws.



4. Press down the inner hole of the steel wire rope pedestal, let the steel wire rope go through the hole.

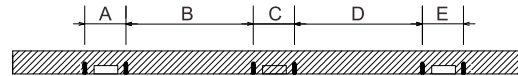
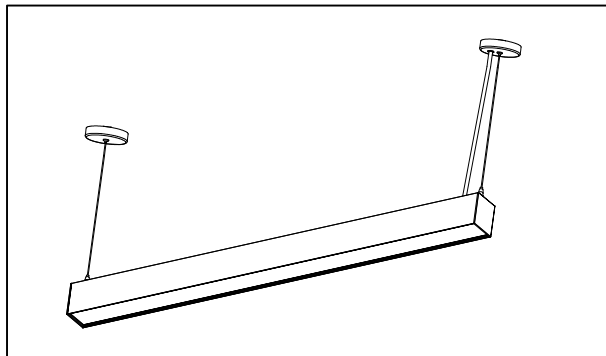


5. Connect L, N, GND, DIM+ and DIM- of AC input wire to L, N, GND, DIM+ and DIM- respectively of AC terminal.



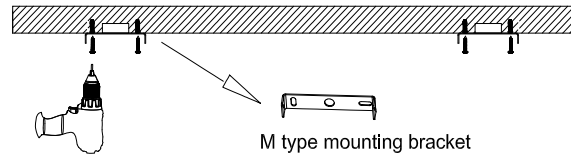
6. Press the to pend of the steel wire rope pedestal to adjust the steel wire rope, and then finish the installation.

A2) .Canopy Suspension Installation

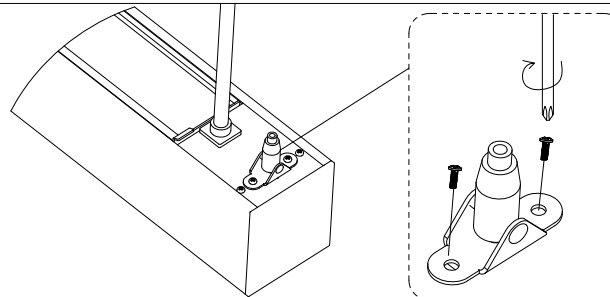


N0.	Size	A(in)	B(in)	C(in)	D(in)	E(in)
1	2ft	3.346	18.858	3.346	/	/
2	4ft	3.346	42.480	3.346	/	/
3	6ft	3.346	66.102	3.346	/	/
4	8ft	3.346	43.189	3.346	43.189	3.346

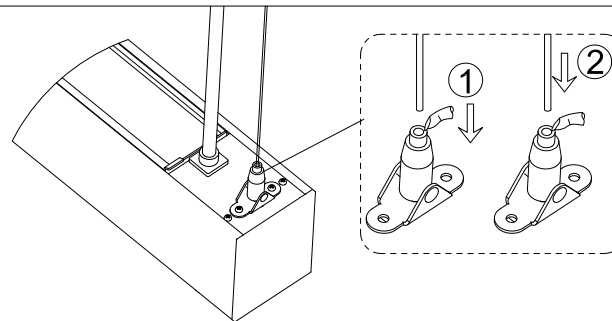
1. Drill a hole of 5.0mm in diameter as shown in the figure at the location required for installation. Then hammer the plastic anchor into the hole.



2. Insert PA4*30 screws into the M type mounting bracket and then drill into the plastic anchor.

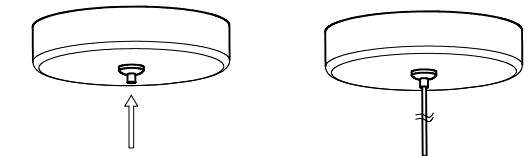
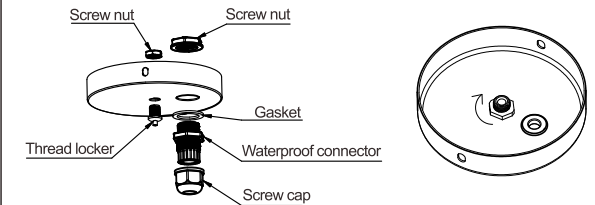


3. Lock the steel wire rope pedestal to the ends plates with PM4*8 Screws.



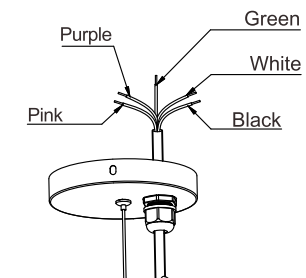
4. Press down the inner hole of the steel wire rope pedestal, let the steel wire rope go through the hole.

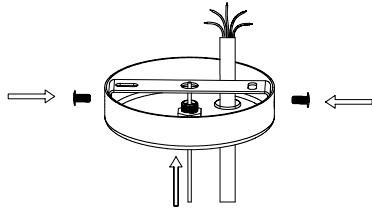
5. The thread locker passes through the canopy and is fixed with a screw nut, and the waterproof connector passes through the gasket and the canopy, and is fixed with a screw nut



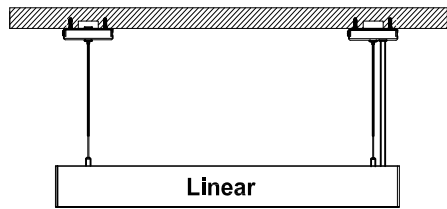
6. Press the steel wire rope holder as shown in the figure, and then insert the stainless steel wire into the inner hole of the steel wire rope holder; The mounting height of the lamp could be adjusted by this steel wire rope holder.

7. Pass the AC into the waterproof connector, fix the AC wire with a screw cap, connect the L pole to the black wire, the N pole to the white wire, the GND to the green wire, the DIM+ pole to the purple wire, and the DIM- pole to the pink wire





8. Adjust the length of the AC input cable, align the side hole of the canopy and the M mounting bracket as shown in the figure, then tighten the screw.

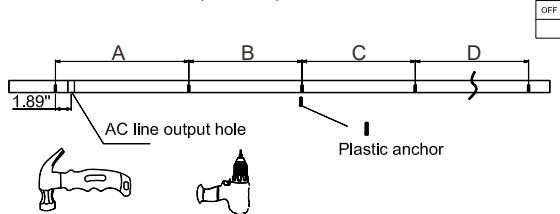


9. The installation is completed.

B.Linkable Instruction

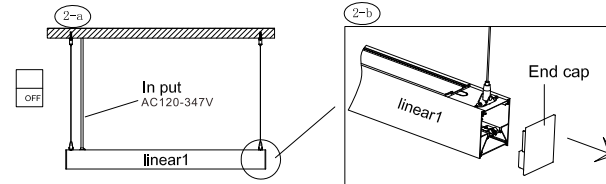
Note: Only available for Linkable Products.

① Measure the ceiling, make down the position for lineae1, install the first Linear Light to the ceiling as instruction of A Rope Suspension Installation.

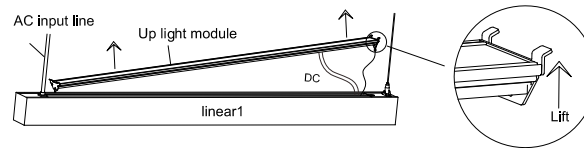


No.	Size	A(in)	B(in)	C(in)	D(in)	Remark
1	2FT	22.920	23.630	22.920	/	3pcs linkable diagrammatic drawing
2	4FT	46.540	47.250	46.540	/	3pcs linkable diagrammatic drawing
3	6FT	70.160	70.870	70.160	/	3pcs linkable diagrammatic drawing
4	8FT	46.540	47.250	47.250	46.540	2pcs linkable diagrammatic drawing

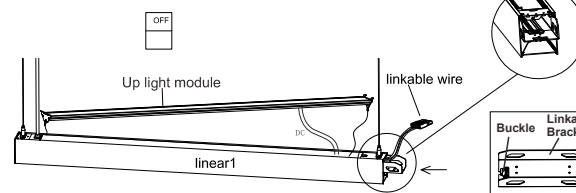
② Install Linear 1, then connect AC line; remove one end cap as show on (2-a-b)



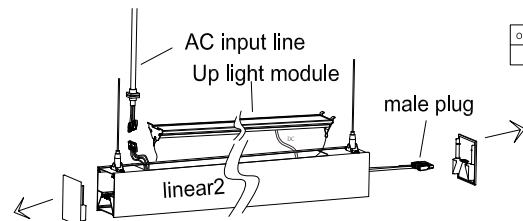
2-C Lift up the up-light module as the picture shows.



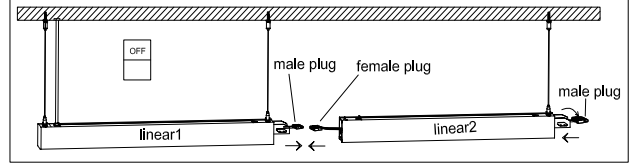
2-d) Insert the linkable bracket into the Linear1, connect with buckle inside the Linear1, take out the inside linkable wire. (Five color)



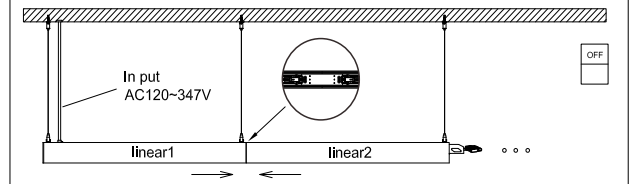
③ Insert the Linear Light as Step 2 and adjust the steel wire rope in the same height. Then Move out two end caps of Linear2, lift up the up light module, disconnect the AC wire. keep the female plug to the side ends



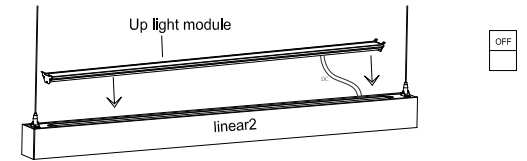
④ Connect the male plug of Linear 1 and female plug of Linear2, insert the bracket to the Linear 2 make them seamless linkable together.



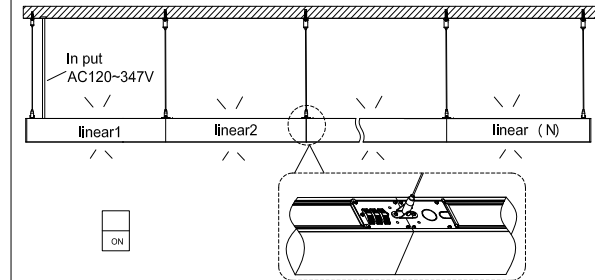
⑤ Check the status after linked make sure no any gap between two linears.



⑥ Make sure the male and female plugs have been connected well, press down the up light module, put it back to the top of Linear1 and Linear2

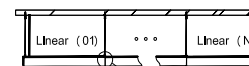


⑦ Install the Linear Light 3,4,5,6 and 7 as above method, keep one main input cord on one side for wiring and grounding Adjust the steel wire rope into the same height. Then finish the installation.



NOTE:
LED LINEAR CAN BE GAPLESS LINKABLE TOGETHER AS NEEDED,
(if you order to use 18# cord, More Links can be Customized.)

Link Instruction and Disclaimer



Max. linkable Quantity (Unit:PC)

Linkable fixtures Qty need to meet the below two conditions:

1) $N \leq 7$ pcs

2) Input voltage = 120V, $N \cdot P \leq 420W$

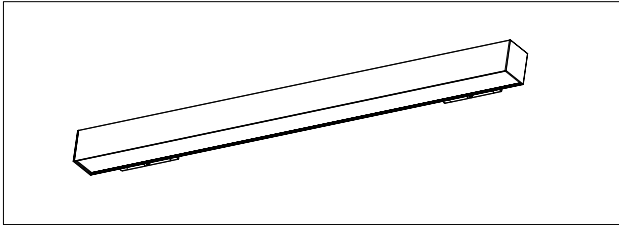
Input voltage = 277V, $N \cdot P \leq 960W$

Input voltage = 347V, $N \cdot P \leq 1200W$

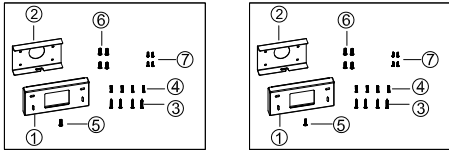
Note: N = Qty of linkable fixtures,
P = Wattage per fixture



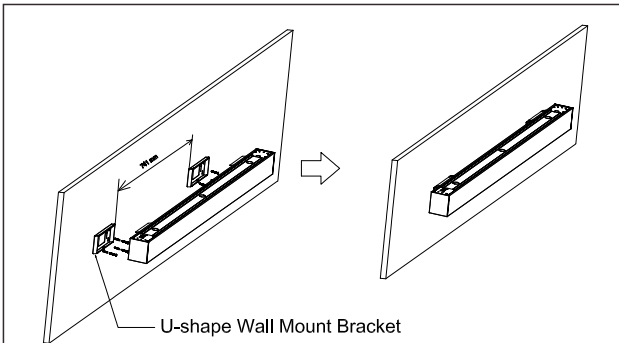
C. Wall Mount



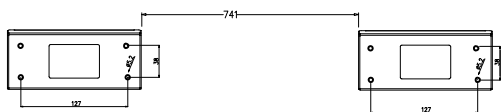
Installation Kits



1	Wall mount U shape bracket	159*70.6*18 mm
2	Wall mount U shape bracket 2	120*74*16.7mm
3	Cross head tapping screw	PA4*35M
4	Plastic Anchor	4*28mm
5	Tapping screw	PM4*10
6	Tapping screw	PM5*20
7	Triangular tooth screw	M3*6mm

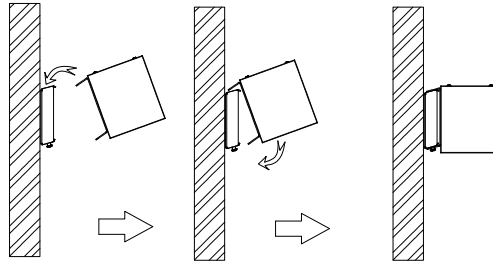


1. Drill Hole on the wall based on the Length of the Fixture, Fix the plastic anchor in the hole and fix the Wall Mount Bracket on the Wall

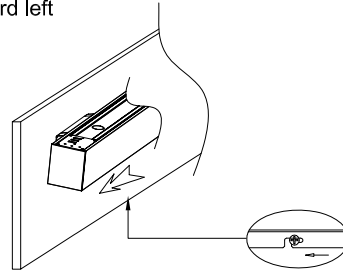


5

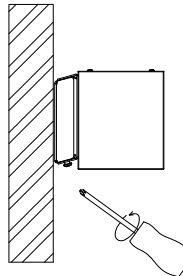
2. Fix the U-Shape Bracket on the fixture according to the distance of U-Shape on the wall, and wiring the fixture with supply power.



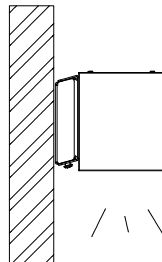
3. Hook the fixture on the screw of the U-shap Bracket, and push toward left



4. Fix the fixture with screw

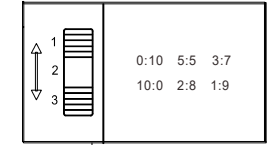


5. Turn on the light.



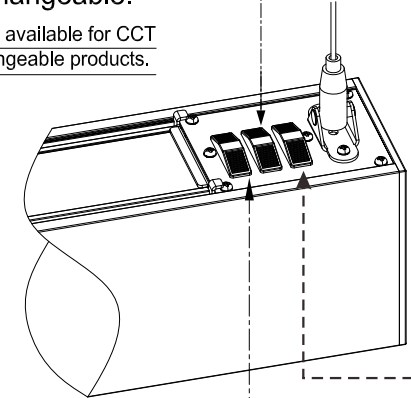
D. Function

Up and down luminescence change

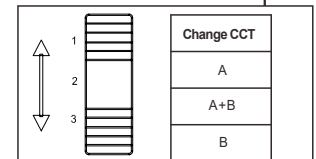
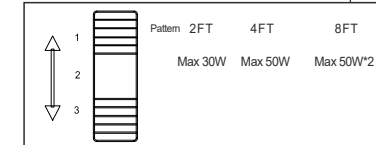


CCT Changeable:

Note: Only available for CCT changeable products.

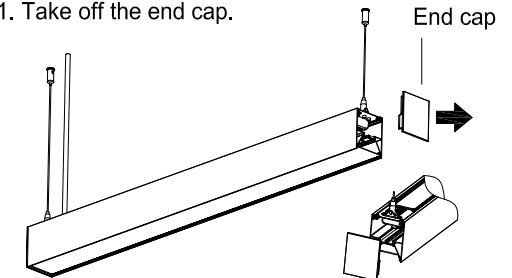


Power Change



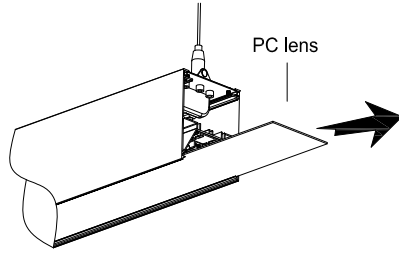
E. Change PC Lens with Parabolic Lens

1. Take off the end cap.

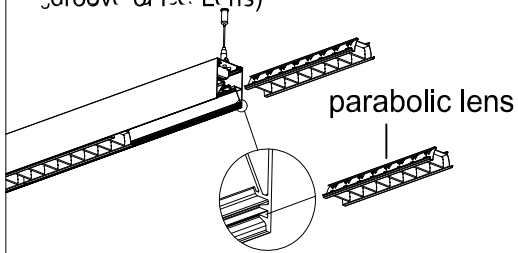


E. Surface Mount

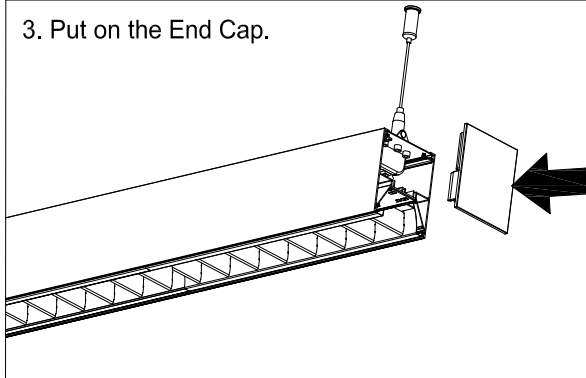
2. Take out the PC lens.



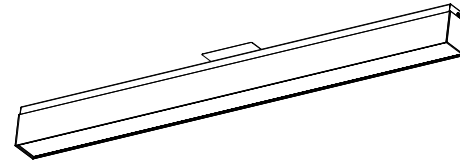
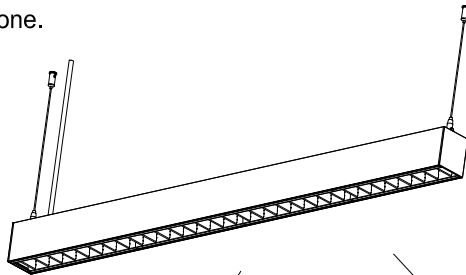
3. Mount the parabolic lens on (by the same groove of PC Lens)



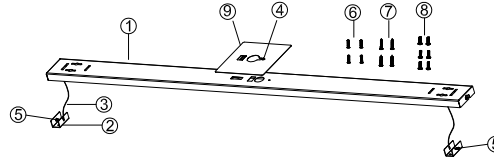
3. Put on the End Cap.



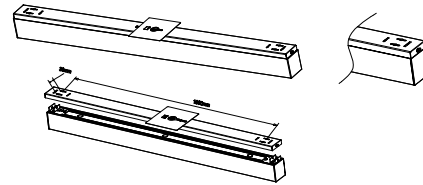
4. Done.



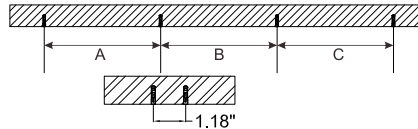
Installation Kits



1	Surface Mount Bracket	1199*69*20mm
2	Surface Mount Bracket 2	43*22.5*18mm
3	Safety cable	L=150mm
4	Round head pull nail	4*5mm
5	Countersunk head screw	PM4*10
6	Cross head tapping screw	PA4*35M
7	Plastic Anchor	4*28mm
8	Round head machine screws	PM4*8mm
9	Decorative plate	140*140mm T=0.6mm

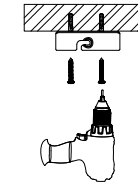


1. Drill Hole on the ceiling based on the Length of the fixture, fix the plastic anchor in the hole .

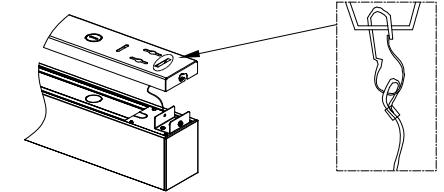


No.	Size	A(in)	B(in)	C(in)
1	2FT	18.898	/	/
2	4FT	42.520	/	/
3	6FT	25.984	14.173	25.984
4	8FT	37.795	14.173	37.795

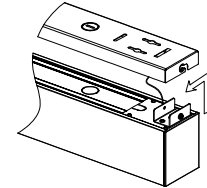
2. Fix the surface mount bracket on the ceiling with PA4*30 screw.



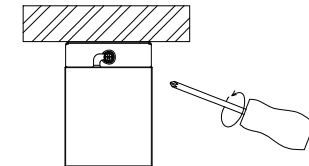
3. Hook the safety cable of the fixture on the slot of the surface mount bracket.



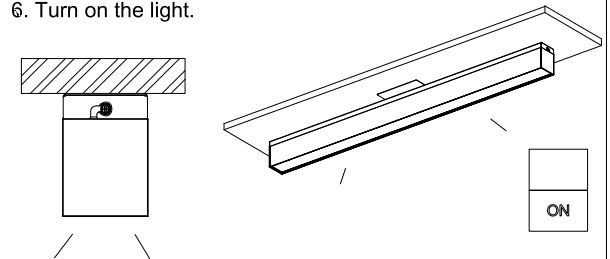
4. Wiring the fixture with the supply power, clear up the wires and safety cables, clip the fixture into the slot of the surface mount plate on two side



5. Fix screws on two side of the fixture



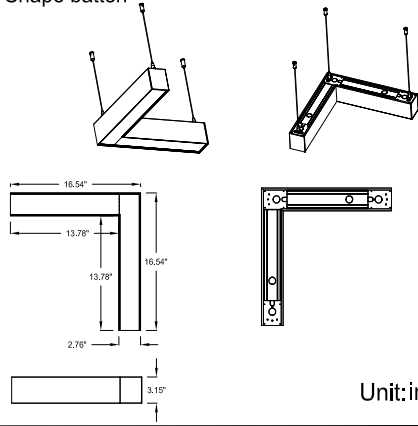
6. Turn on the light.



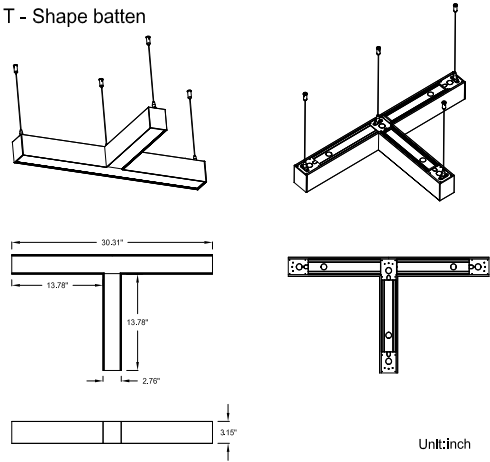
F. Link Battens

1. Battens Suspend Mount as a Separate Part.

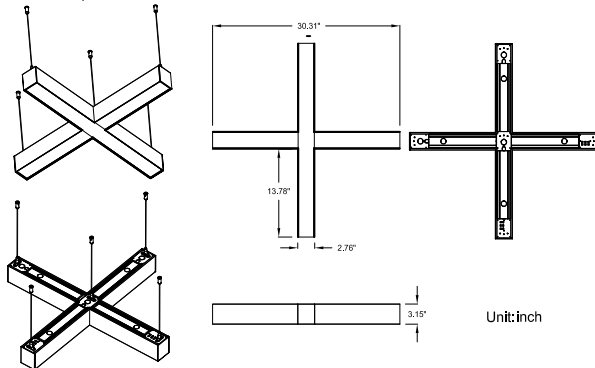
L- Shape batten



T - Shape batten

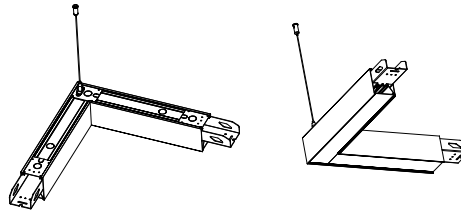


X- Shape batten

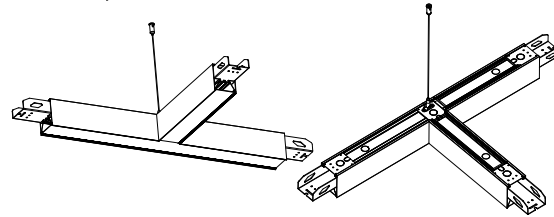


2. Batten Suspended Mount as Link Part.

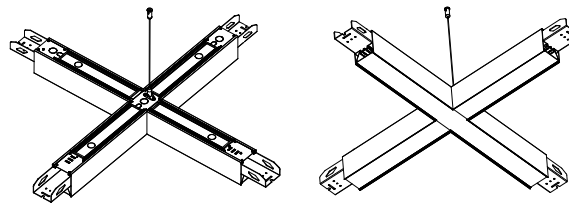
L- Shape batten



T - Shape batten



X- Shape batten



Linkable fixtures Qty need to meet the below two conditions:

1) $N \leq 7$ pcs

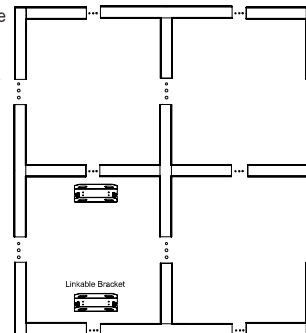
2) Input voltage = 120V, $N * P < 420W$

Input voltage = 277V, $N * P \leq 960W$

Input voltage = 347V, $N * P \leq 1200W$

Note: N = Qty of linkable fixtures,

P = Wattage per fixture



This splicing diagram requires more than two AC inlet wiring points.