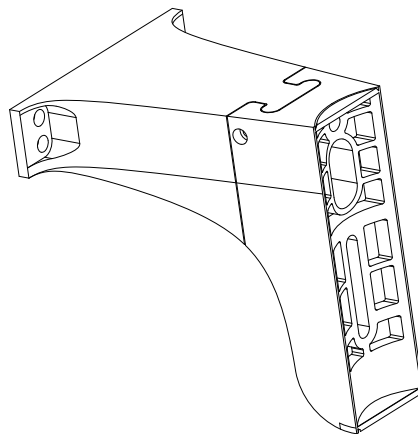
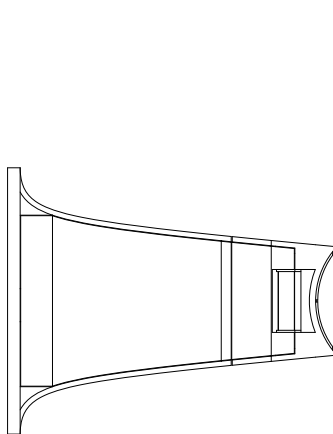
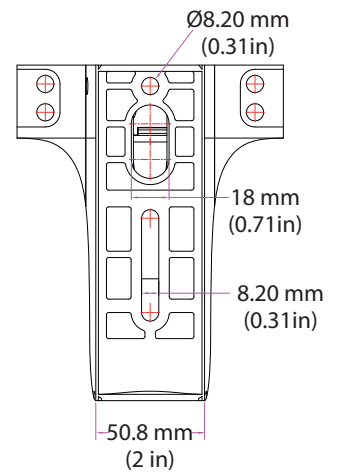
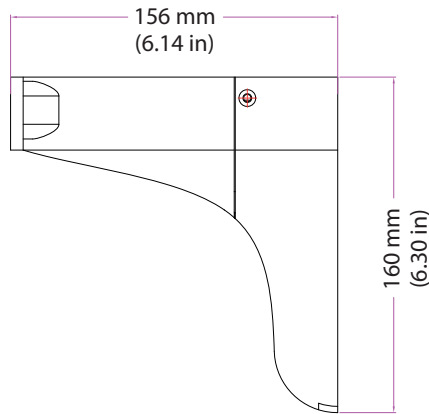
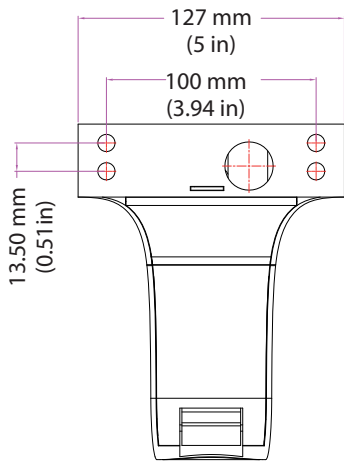


Pictures for illustration purpose only

Size

Weight: 1.13 kg



Drilling

