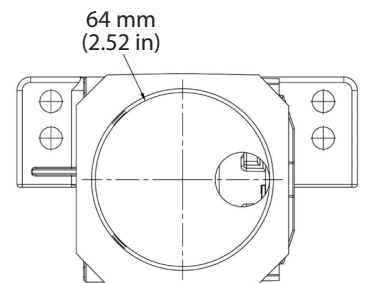
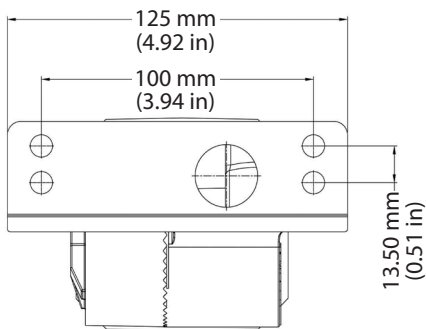
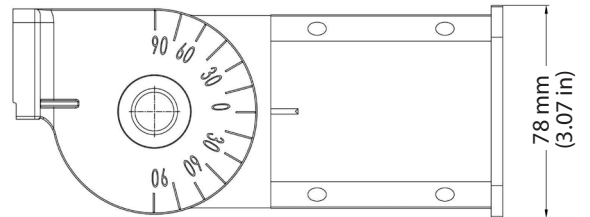
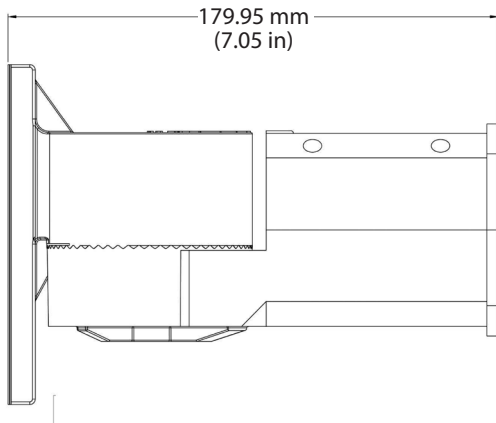


Pictures for illustration purpose only

Size

Weight: 1.18 kg



info@technilight.ca

WWW.TECHNILIGHT.CA