



WARNING

PLEASE READ ALL INSTRUCTIONS BEFORE ATTEMPTING INSTALLATION

SAFETY: This fixture must be wired in accordance with the national electrical code and applicable local codes and ordinances. Proper grounding is required to insure personal safety. Carefully observe the grounding procedure under installation section. All work should be done by a qualified electrician.

RISK OF ELECTRIC SHOCK - Disconnect power at fuse or circuit breaker before installing or servicing.

RISK OF PERSONAL INJURY - Fixture may become damaged and/or unstable if not installed properly. Tighten all fixture components to their recommended torque values.

WARNING: Make certain power is **OFF** before starting installation or attempting any maintenance.

SURFACE MOUNT

1. Adjust the length of the wire according to the actual needs. Select CCT and power according to therequirements. (Fig 1)

2. Secure the mounting plate to the fixture. (Fig 2)

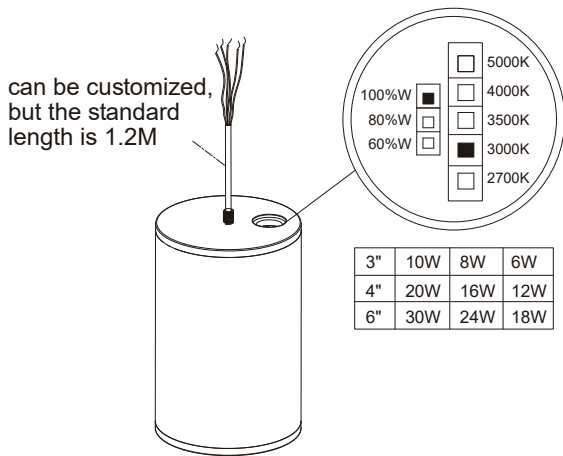


Fig 1

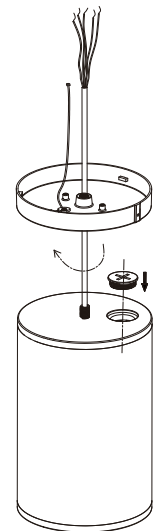


Fig 2

3. ①Fixed ceiling tray on the ceiling. ②Put on the safety rope. ③Connect the wire. (Fig 3)

4. Rotate and snap the light onto the ceiling tray. (Fig 4)

5. Attach the fixing screws. (Fig 5)

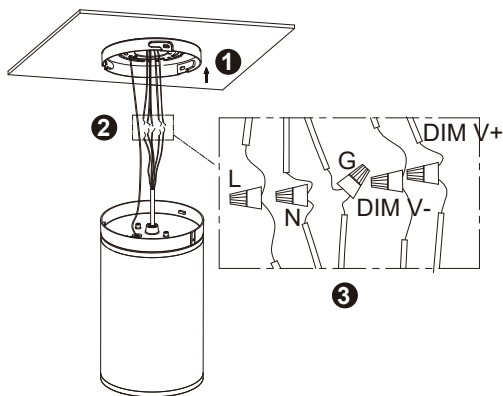


Fig 3

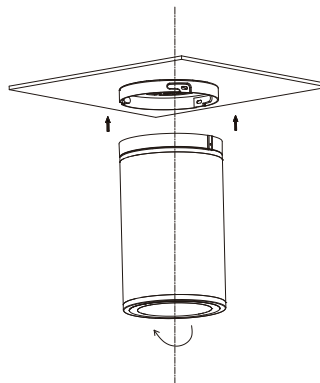


Fig 4

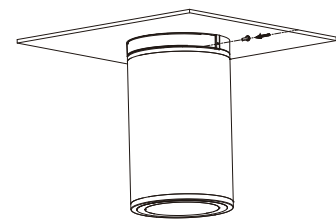
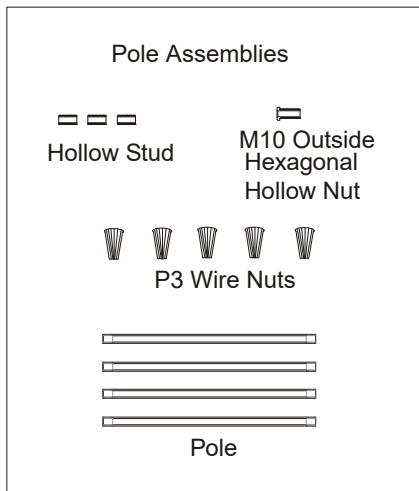
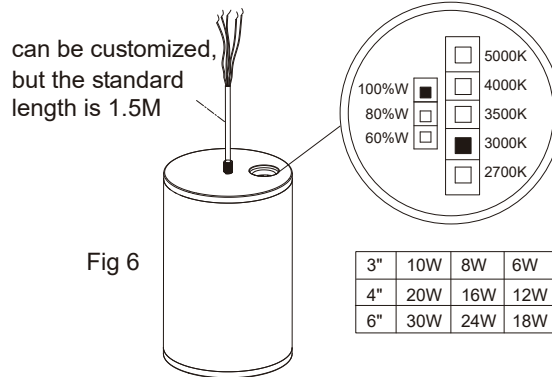


Fig 5

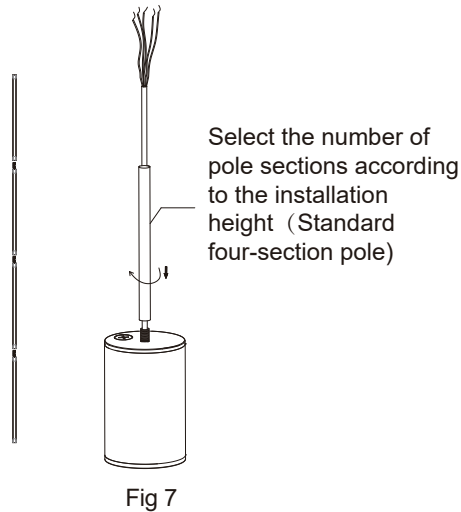
STEM PENDANT MOUNT



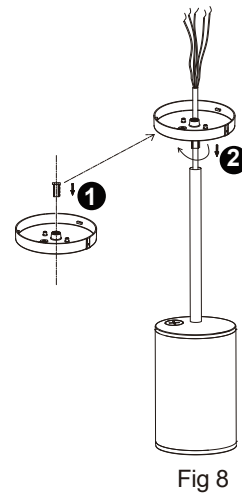
1. Adjust the length of the wire according to the actual needs. Select CCT and power according to the requirements. (Fig 6)



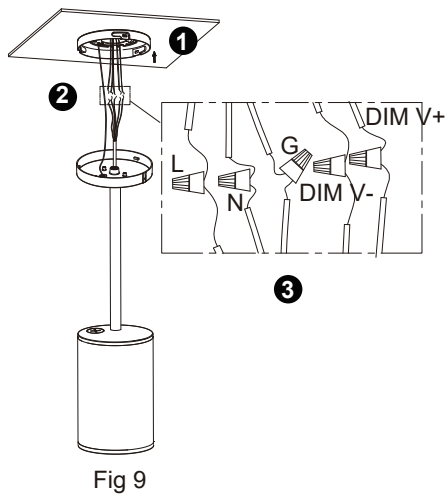
2. Pole and lamp body threaded connection. (Fig 7)



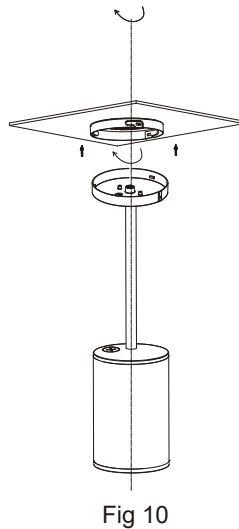
3. ① Install the hollow thread on the lamp panel. ② Rod and disc threaded connection. (Fig 8)



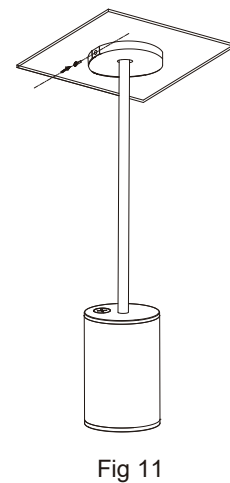
4. ① Fixing the ceiling tray to the ceiling. ② hang up safety rope. ③ Connect the wire. (Fig 9)



5. Rotate the lamp and attach it to the ceiling plate. (Fig 10)

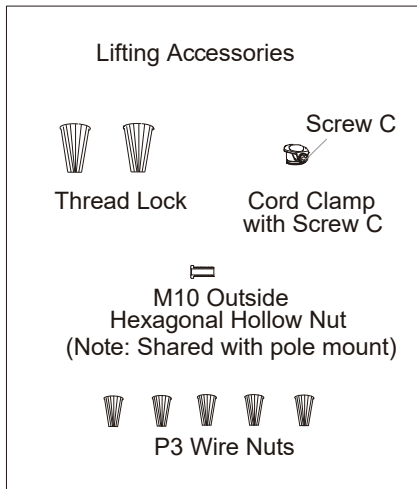


6. Install fixing screws. (Fig 11)



CABLE PENDANT MOUNT

Ref#: 20240925



1. Adjust the length of the wire according to the actual needs. Select CCT and power according to the requirements. (Fig 12)

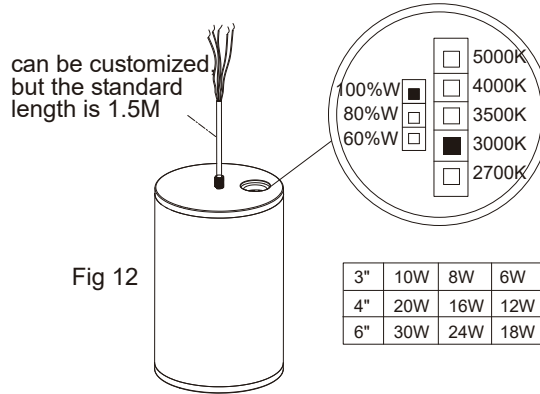


Fig 12

2. ① Nut connection. ② Nut to lower screw connection. (Fig 13)



Fig 13

3. ① Attach the hollow screws to the light panel. ② Nut to top screw connection. (Fig 14)

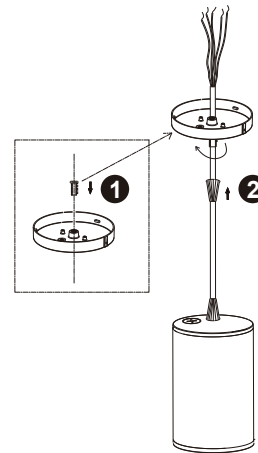


Fig 14

4. ① Slip on the line buckle and adjust the length of the lanyard. ② Fixed ceiling tray on the ceiling. ③ Put on the safety rope. ④ Connect the wire. (Fig 15)

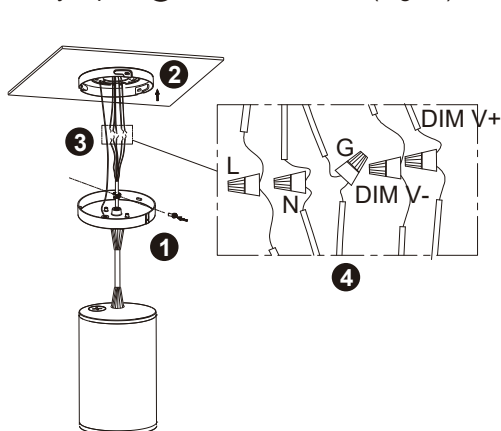


Fig 15

5. Rotate and snap the light onto the ceiling tray. (Fig 16)

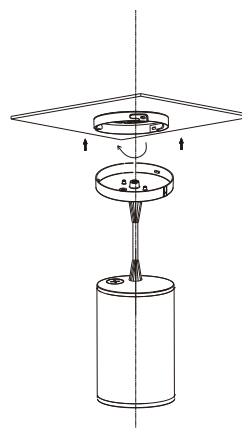


Fig 16

6. Attach the fixing screws. (Fig 17)

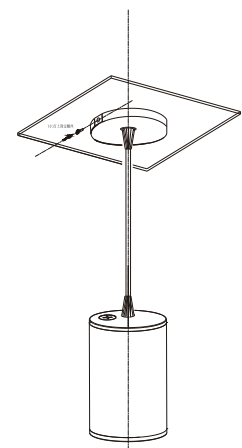


Fig 17