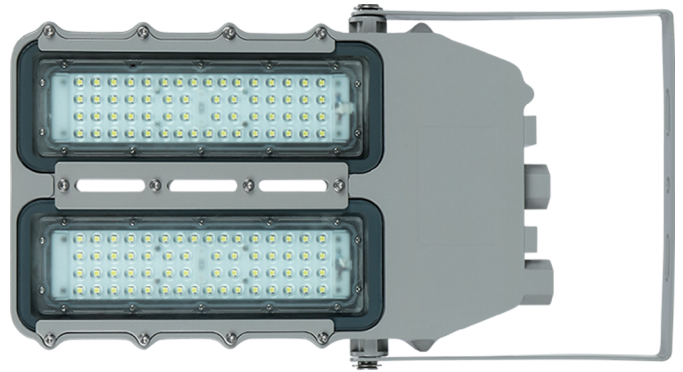
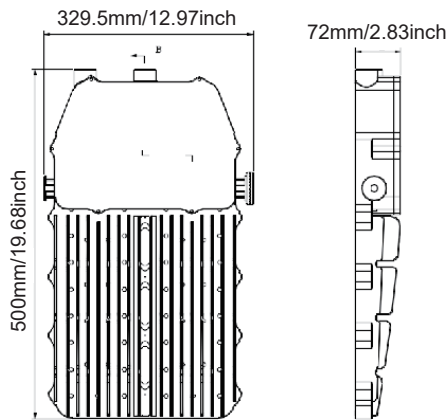


Explosion-proof



Specifications TLEAL200HD120P

Electrical specifications

Model No.	TLEAL200HD120P
Power (W) ± 10%	200 W
Input Voltage (V)	AC200-480V, 50/60Hz
Efficacy ± 3%	130 lm/W
Power Factor (PF)	0.9
Surge protection	N/D

Photometric specifications

CRI	≥70
CCT	5 000 K
Beam angle	120°
Light Output ± 3%	26 000 lm
Dimmable	0-10 V

Mechanical specifications

IP Rating	IP66 / IP67
Material	Aluminum
Lens	Clear tempered glass
Net Weight	9.5 kg
Product size (mm)	± 500 x 329.5 x 72 mm
Product size (inch)	± 19.68" x 12.97" x 2.83"
Operating Humidity	N/D
Operating Temperature	-40°C ~ 60°C
Lifespan (L70)	50 000 hours

Product description:

- UL-844 Dangerous places
CAN / CSA-C22.2 NO. 137
CLASS 1 - DIV 2 - GROUP A, B, C, D
CLASS 2 - DIV 1 - GROUP E, F, G
CLASS 2 - DIV 2 - GROUP F, G
CLASS 3
- Savings on energy consumption compared to HPS / MH lighting.
- Warranty: 5 years.
- Other CCT available on request.
- Color: Gray.

Applications:

Areas with risk of explosion (gas emissions), areas with vapor or dust, petrochemical complexes, mines, etc.
Designed for wet locations.
Indoor and outdoor.