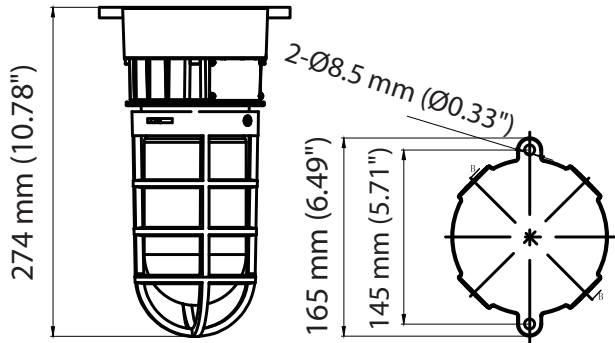


## Low bay explosion proof



### Optional accessories available



## Specifications TLEGC40D120P

### Electrical specifications

Model No.	TLEGC40D120P
Power (W) ± 10%	40 W
Input Voltage (V)	AC100-277V, 50/60Hz
Efficacy ± 3%	100 lm/W
Power Factor (PF)	≥0.9
Total harmonic distortion	N/D
Surge protection	N/D
Dimmable	0-10 V

### Photometric specifications

CRI	≥70
CCT	5 000 K
Beam angle	120°
Light Output ± 3%	4 000 lm

### Mechanical specifications

IP Rating	IP66
Material	Aluminum
Lens	Clear (Tempered glass)
Net Weight	2.27 kg
Product size (mm)	Ø165 x 274 mm
Product size (inch)	Ø6.49" x 10.78"
Operating Humidity	10% - 90%
Operating Temperature	-40°C ~ 60°C
Lifespan (L70)	150 000 hours

## Product description:

- UL 844  
CSA C22.2 No. 137-18  
CLASSE I DIVISION 2, GROUPE A, B, C, D  
CLASSE II DIVISION 1, GROUPE E, F, G  
CLASSE II DIVISION 2, GROUPE F, G  
CLASSE III
- Save up to 70% on electricity consumption compared to HPS/MH lighting fixture.
- Warranty: 5 years.
- Other CCT available on request.
- Color: Gray.
- 3/4" NPT.

## Applications:

Areas with risk of explosion (gas emissions), areas with vapor or dust, petrochemical complexes, mines, etc.  
Designed for wet locations.  
Indoor and outdoor.