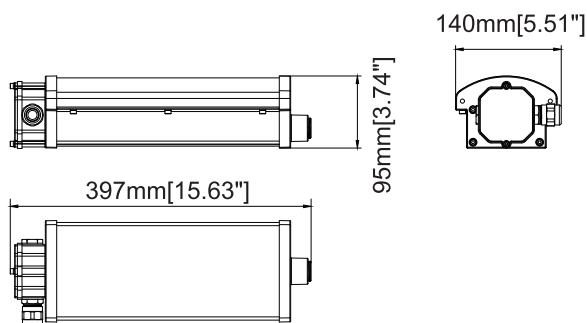


Explosion proof



Specifications TLEL1F20D120P

Electrical specifications

Model No.	TLEL1F20D120P
Power (W) ± 10%	20 W
Input Voltage (V)	AC100-277V, 50/60Hz
Efficacy ± 3%	130 lm/W
Power Factor (PF)	0.9
Surge protection	N/D

Photometric specifications

CRI	≥70
CCT	5 000 K
Beam angle	120°
Light Output ± 3%	2 600 lm
Dimmable	0-10 V

Mechanical specifications

IP Rating	IP66
Material	Aluminum + PC
Lens	Clear
Net Weight	2.9 kg
Product size (mm)	± 397 x 140 x 95 mm
Product size (inch)	± 15.63" x 5.51" x 3.74"
Operating Humidity	N/D
Operating Temperature	-40°C ~ 55°C
Lifespan (L70)	>150 000 hours

Product description:

- UL-844 Dangerous places
CAN / CSA-C22.2 NO. 137
CLASS I DIV 2 GROUP A, B, C, D
CLASS II DIV 1 GROUP E, F, G
CLASS II DIV 2 GROUP F, G
CLASS III
- Savings on energy consumption compared to HPS / MH lighting.
- Warranty: 5 years.
- Other CCT available on request.
- Color: Gray.

Applications:

Areas with risk of explosion (gas emissions), areas with vapor or dust, petrochemical complexes, mines, etc.
Designed for wet locations.
Indoor and outdoor.

