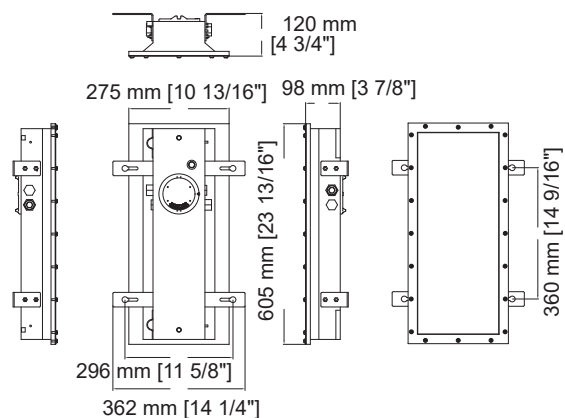


Explosion-proof



Specifications TLEPS12C40HD120P

Electrical specifications

Model No.	TLEPS12C40HD120P
Power (W) ± 10%	40 W
Input Voltage (V)	AC200-480V, 50/60Hz
Efficacy ± 3%	130 lm/W
Power Factor (PF)	0.9
Surge protection	N/A

Photometric specifications

CRI	N/A
CCT	5 000 K
Beam angle	120°
Light Output ± 3%	5 200 lm
Dimmable	0-10 V

Mechanical specifications

IP Rating	IP66 / IK10
Material	Stainless steel
Lens	Polycarbonate
Net Weight	9 kg
Product size (mm)	± 605 x 275 x 120 mm
Product size (inch)	± 23.8" x 10.8" x 4.7"
Operating Humidity	N/A
Operating Temperature	-40°C ~ 60°C
Lifespan (L70)	>150 000 hours

Product description:

- UL-844 Hazardous locations
CAN / CSA-C22.2 NO. 137
CLASS 1 - DIVISION 2 - GROUP A, B, C, D
CLASS 2 -ZONE 2 - GROUP IIA, IIB, IIC
- Installation: surface or suspended.
- Impact-resistant. (IK10)
- Savings on energy consumption compared to HPS / MH lighting.
- Warranty: 5 years.
- Other CCT available on request.
- Color: white.

Applications:

Areas with risk of explosion (gas emissions), areas with vapor or dust, petrochemical complexes, mines, etc.
Designed for wet locations.
Indoor and outdoor.