

IMPORTANT:

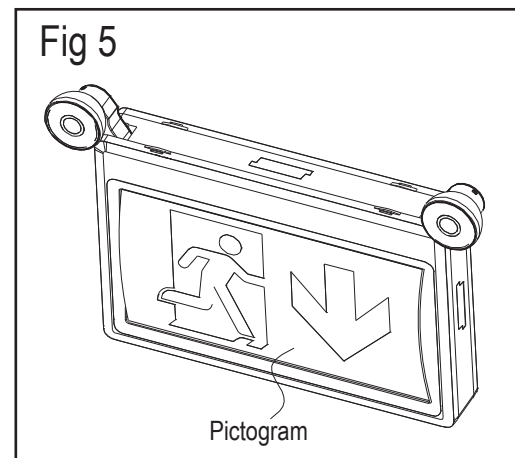
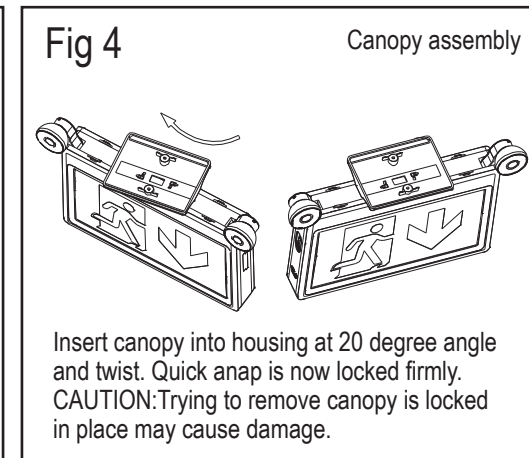
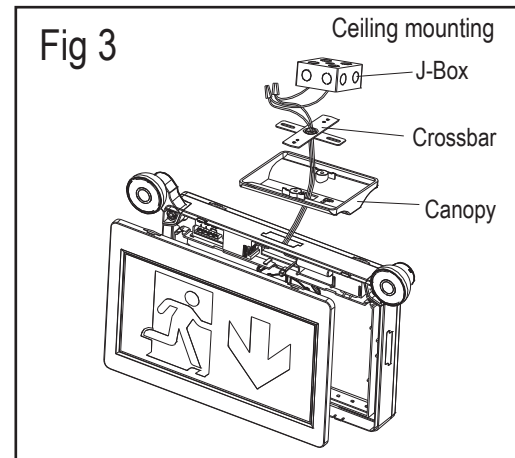
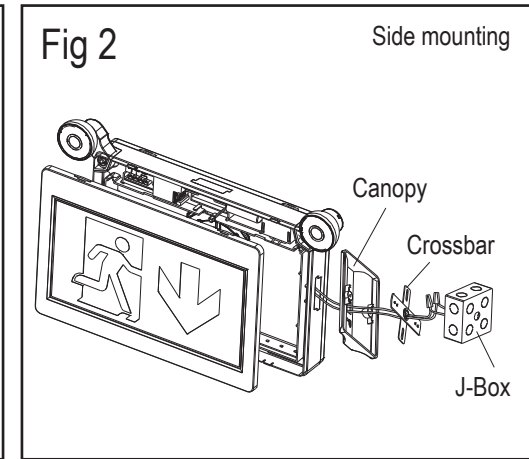
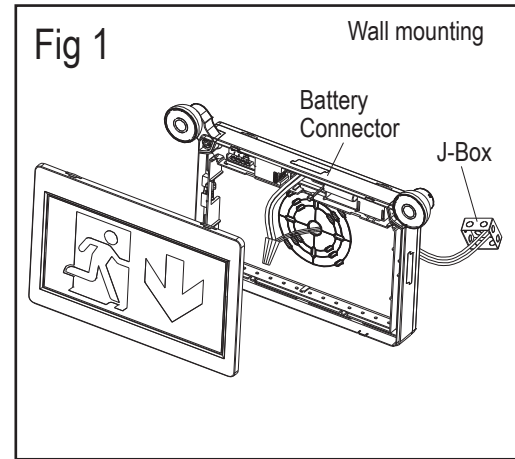
IMPORTANT SAFEGUARDS READ AND FOLLOW ALL SAFETY INSTRUCTIONS

When re-lamping, only use lamps specified in the exit sign using other lamp Types may result in transformer damage or unsafe conditions, Battery in this unit may not be fully charged, After electricity is hooked up to unit, let the battery charge for at least 24 hours, Normal operation of this unit should then take effect (when applicable).

Model list:

Rated voltage	AC120-347V~, 60Hz
Rated wattage	4.5W
Emergency Output Rating	4.8W
Emergency Run Time	120 Minutes
Correlated Color Temperature	6000-6500K
Battery	Ni-Cd 3.6V 3600mAh
Battery life	up to 4 years
Recharge Time	48 hrs
Operating Temp Range	0°C-40°C
Max. mounting height:	22.7ft(6.8m)
Dimensions	395x69x285mm
Warranty	2 years

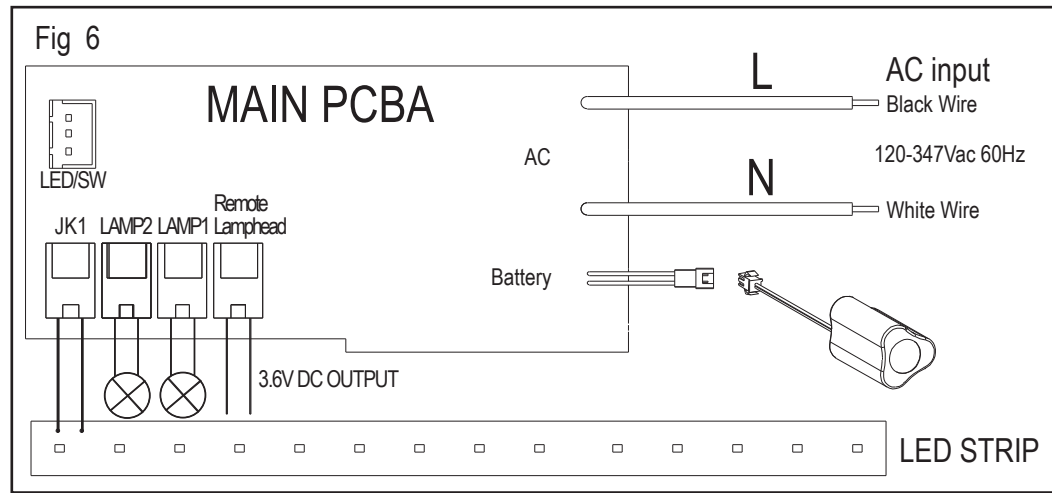
Mounting Instruction



The fixture suitable for wall mounting, side mounting, ceiling mounting.

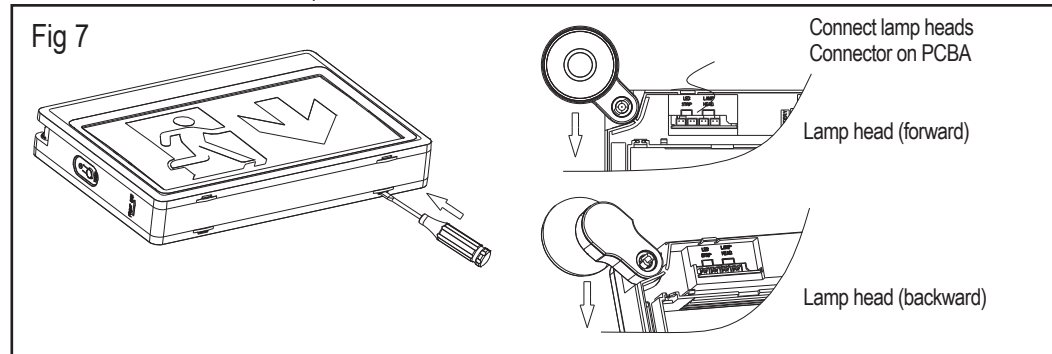
1. Open front cover. Assemble 2pcs lamp heads on the frame.
2. Knockout appropriate mount screw hole and cable hole, mount back plate on the wall after feeding building AC supply cable into back plate (see Fig 1).
3. For ceiling and side mounting purpose, remove the mounting hole cover on the top or side of the unit, assemble the canopy (see Fig 2,3,4).
4. Attach crossbar to junction box, set the longer blade of crossbar touching the J-Box.
5. Route the proper wires through mounting hole out of housing.
6. Make electrical connections inside the J-Box, as wiring diagram.
7. Push excess wire into J-Box, use screws to tighten canopy to crossbar so that canopy is securely fastened and tight against the wall.
8. Attach battery connector to PC board, restore front cover on unit. Adjust position of lamp heads as needed.
9. If pictogram direction assembled not suitable, pictogram can be taken out for change direction or replaced with a pictogram, and then inserted into the diffuser easily (see Fig 5).

Wiring Diagram(See Fig 6)



Assembly lamp heads(see Fig7)

1. Open front cover by flat screwdriver.
2. Insert the lamp heads at the corners of main frame. Select direction of lamp head before inserting.
3. Connect male connector on lamp head to female connector on PCBA.



READ AND FOLLOW ALL SAFETY INSTRUCTIONS:

1. Review the diagrams thoroughly before beginning.
2. All electrical connections must be in accordance with local codes, and the National electric code.
3. Disconnect power at fuse or circuit breaker before installing or servicing.
4. Do not use outdoors.
5. Do not mount in hazardous locations, or near gas or electric heaters,
6. Do not let power cords touch hot surface.
7. Equipment should be mounted in locations and at heights where it will not be subjected to tampering by unauthorized personnel.
8. The use of accessory equipment not recommended by the manufacturer may cause an unsafe condition.
9. Do not use this equipment for other than intended use.
10. All servicing should be performed by a qualified personnel only.
11. Allow battery to charge for 24 hours before first use.

