



INSTALLATION INSTRUCTION

Notice:

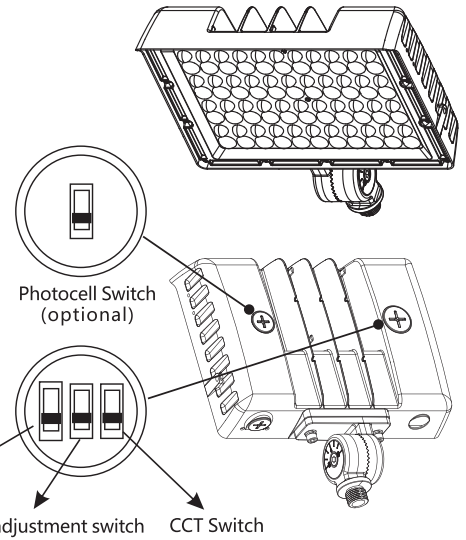
Please read carefully before installing the light fixture. Keep these instructions for future reference.

Wiring to the fixture must comply with the National Electrical Code and all applicable local codes. Proper grounding is required for safety. This product must be installed in accordance with applicable installation codes by a person familiar with the construction and operation of the product and the hazards involved.

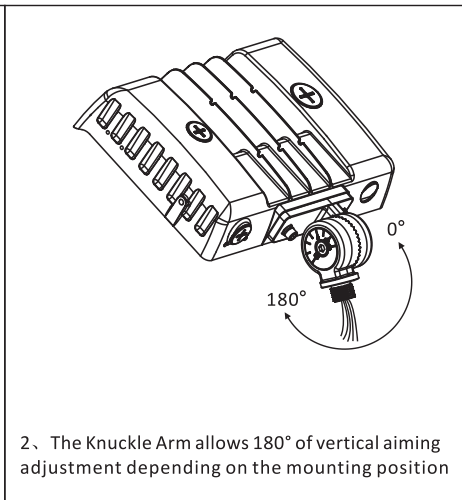
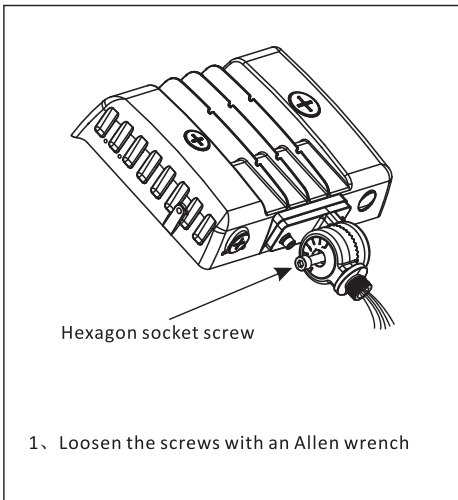
WARNING: Before installing or servicing the light fixture, make sure the power is turned off. There are no user-serviceable parts inside.

WARNING: Do not use a generator to test LED fixtures.

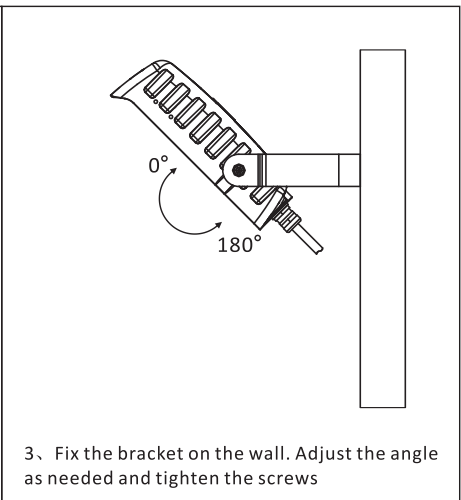
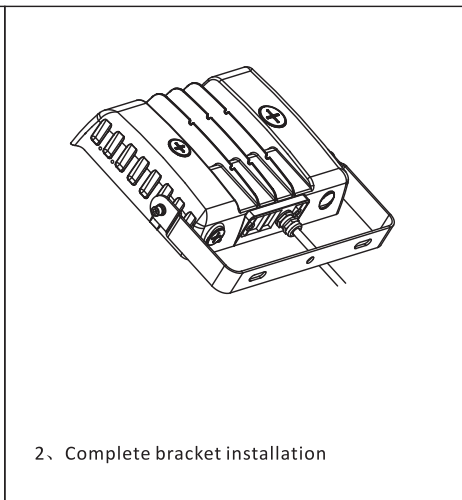
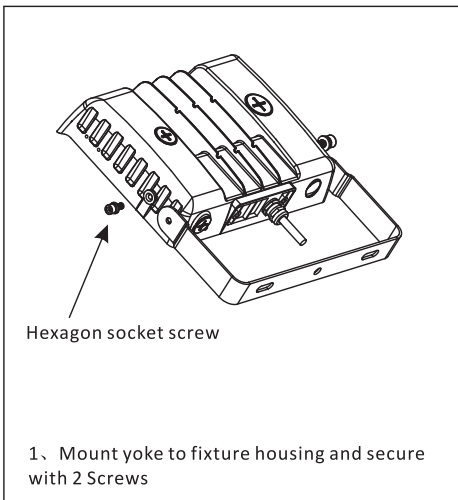
WARNING: Power supply conductor temperature is minimum 90 °C.



KNUCKLE MOUNTING

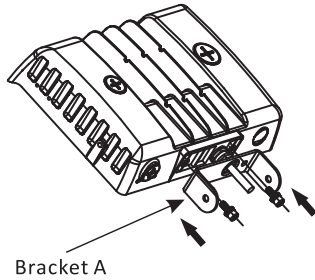


YOKE MOUNTING

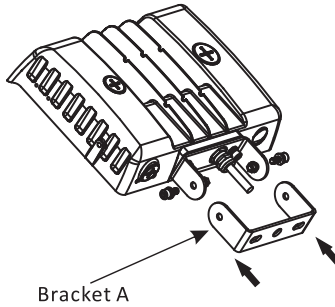


INSTALLATION INSTRUCTION

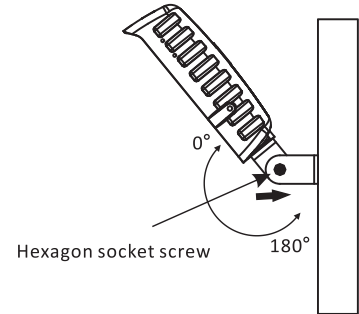
TRUNNION MOUNTING



1、 Fix the trunnion bracket A to the bottom of the fixture with screws

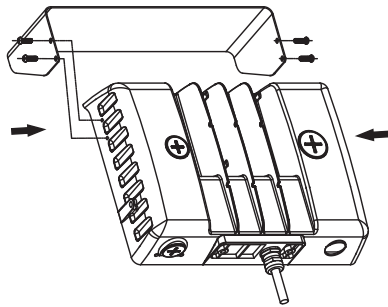


2、 Fix the trunnion bracket B to bracket A from both sides with screws

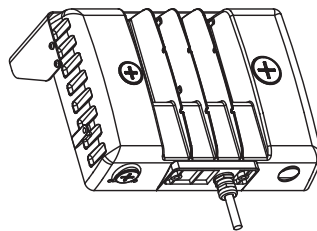


3、 Fix the trunnion bracket B on the wall and adjust the required angle to tighten the screws.

LENS HOOD MOUNTING



1、 Use 4 screws to fix the shading cover to the fixture housing.



2、 Lens hood mounting completed

WIRING DIAGRAM

Universal voltage driver permits operation at 120-277V or 120-347V , 50 or 60 Hz. For 0-10 Dimming, follow the wiring directions

1. Connect the Black/Brown fixture lead to the LINE supply lead.
2. Connect the White/Blue fixture lead to the COMMON supply lead.
3. Connect the Green/Yellow wire from the fixture to supply ground.
Do NOT connect GROUND of the dimming fixture to the output.
4. Connect the purple fixture lead to the DIM V+ lead.
5. Connect the gray fixture lead to the DIM V- lead.

