

Important: Read all instructions prior to installation.

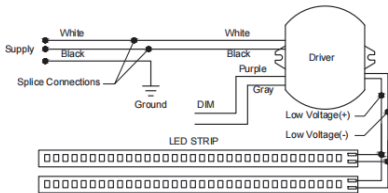
Dimmable LED T-Bar Frame Light



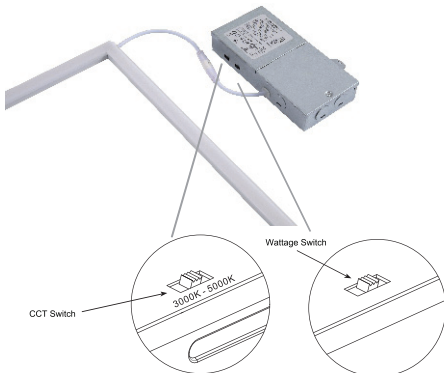
Specifications

Check product label for specific electrical specifications related to installation. Improper installation will void warranty.

Wiring Diagram

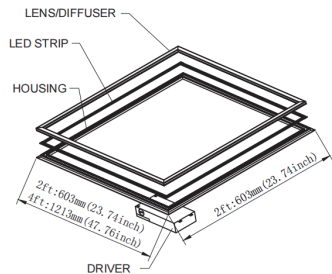


Selectable CCT and Wattage Switches



Safety and Notes

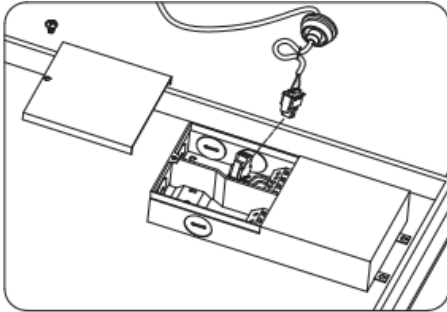
- To reduce the risk of accident, and injury or property damage from fire, electric shock, falling parts, cuts/abrasions, and other hazards read all warnings and instructions included with and on the fixture box and all fixture labels.
- Before installing, servicing, or performing routine maintenance upon this equipment, follow these general precautions
- Commercial installation, service and maintenance of luminaires should be performed by a qualified licensed electrician.
- For the installation: If you are unsure about the installation or maintenance of the luminaires, consult a qualified, licensed electrician and check your local electrical code.
- To prevent wiring damage or abrasion, do not expose wiring to edges of sheet metal or other sharp objects.
- Do not make or alter any open holes in an enclosure of wiring or electrical components during kit installation.
- WARNING:** Turn off electrical power at fuse or circuit breaker box before wiring fixture to the power supply.
- Turn off the power when you perform any maintenance.
- Verify that supply voltage is correct by comparing it with the luminaire label information.
- All wiring connections should be capped with UL approved wire connectors.
- CAUTION:** Avoid direct eye exposure to the light source while it is on.
- Account for small parts and destroy packing material, as these may be hazardous to children.
- NOTICE:** Risk of burn. Disconnect power and allow fixture to cool before changing bulb or handing fixture.
- Green ground screw provided in proper location. Do not relocate
- Minimum 90° supply conductors.
- NOTICE:** Specifications and dimensions subject to change without notice.
- NOTICE:** Suitable for Dry or Damp location, Type IC.
- Failure to properly support the fixture may result in damage or injury, for which the manufacturer does not assume responsibility. A safety cable is not included, but it is recommended that one be connected to grid clip during installation.



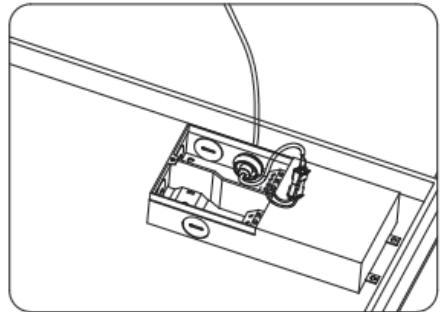
Important: Read all instructions prior to installation.

Dimmable LED T-Bar Frame Light

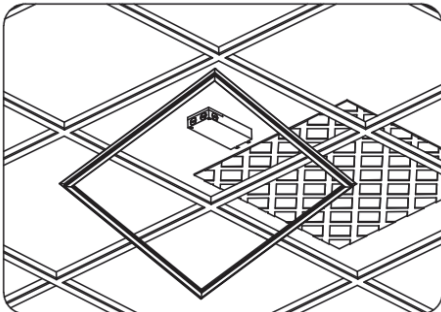
Drop Ceiling Installation



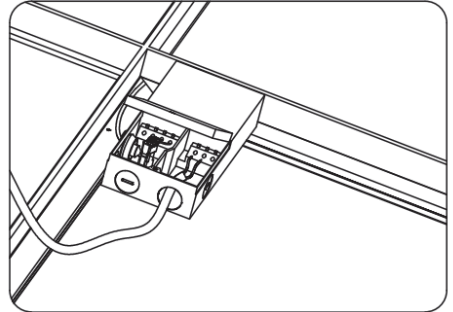
a) Screw off the cover of the driver
knock off one of the knock-out on the driverz



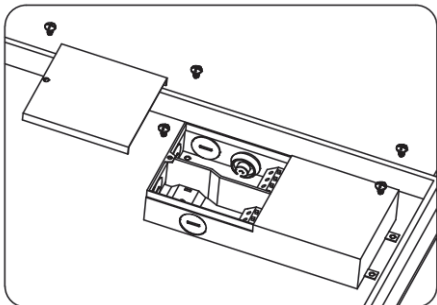
b) Install the grommet in the knock-out, and connect
the connector together



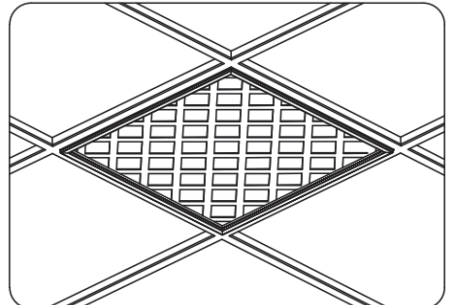
c) Take off knock-out one the other side, connect all
wires with the AC input properly according to the
labels on wires.



d) Remove the plasterboard and install the fram
light in the T-bar.



e) Install the driver to the a rigid location. Driver
should not be mounted in or near a fan air outlet or
other HVAC system components.



f) Put the driver cover back and well installed.
Driver should not be mounted in or near a fan air
outlet or other HVAC system components.