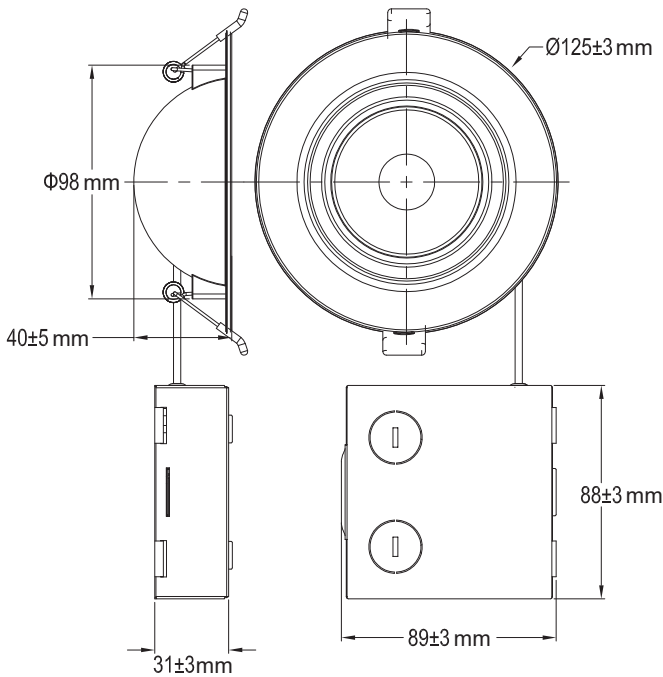


## Gimbal LED recessed light



### Specifications TLGDL4R9AWH

#### Electrical Specifications

Model No.	TLGDL4R9AWH
Power (W) ± 10%	9 W
Input Voltage (V)	AC120 V, 60Hz
Efficacy ± 3%	75 lm/W
Power Factor (PF)	>0.9
Dimmable	Triac

#### Photometric Specifications

CRI	>80
CCT	Selectable
Beam angle	120°
Light Output ± 3%	650 lm

#### Mechanical Specifications

IP Rating	IP20
Material	Aluminum + Metal box
Lens	Frosted (Polycarbonate)
Net Weight	Box: 175g Luminaire: 130g
Product size (mm)	± Ø123 x 32 mm
Product size (inch)	± Ø4.84" x 1.26"
Operating Humidity	10% - 90%
Operating Temperature	-30°C ~ 45°C
Lumen maintenance	>76% at 100 000 hours

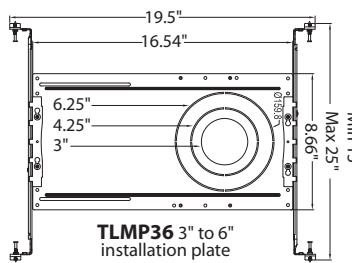
### Product Description:

- Ultra thin 4" recessed down light.
- Adjustable light direction.
- Type IC.
- Airtight according to ASTM E283-04.
- Junction box with quick connector included.
- 5 CCT: selectable 2 700 K, 3 000 K, 3 500 K, 4 000 K and 5 000 K using a switch.
- No toxic chemicals, RoHS compliant.
- Color: white.
- Optional installation plate.

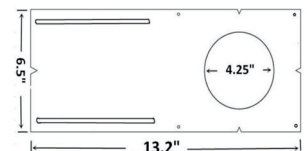
### Applications:

Houses, schools, shopping centers, etc.

### Installation plates and fixing bars optional



TLMP36 3" to 6" installation plate  
+  
TLMPHB Fixing bars  
(Sold separately)



TLMP4 4" installation plate

[info@technilight.ca](mailto:info@technilight.ca)