

Wall-Mounted LED Barn Light Instruction Guide

WARNING

1. Read all safety precautions and installation instructions carefully before installing or servicing this fixture. Failure to comply with these instructions could result in a potentially fatal electric shock and/or property damage.
2. To reduce the risk of electrical shock or other personal injury, ensure the power is turned OFF at the fuse or breaker box before making any electrical connections.
3. For outdoor use only.
4. Must be connected to 120VAC or 100-277VAC 50/60 Hz power source. Detail please refer to product label.
5. Fixture should be mounted to a grounded junction box marked for use in wet locations.
6. Suitable for wall mount and wet locations.
7. NOT suitable for ground locations. Minimum of 4 feet or higher.
8. Light should be installed by a qualified electrician or person experienced with household wiring. The electrical system, and method of electrical connection of the fixture, must be in accordance with the National Electrical Code and local building codes.

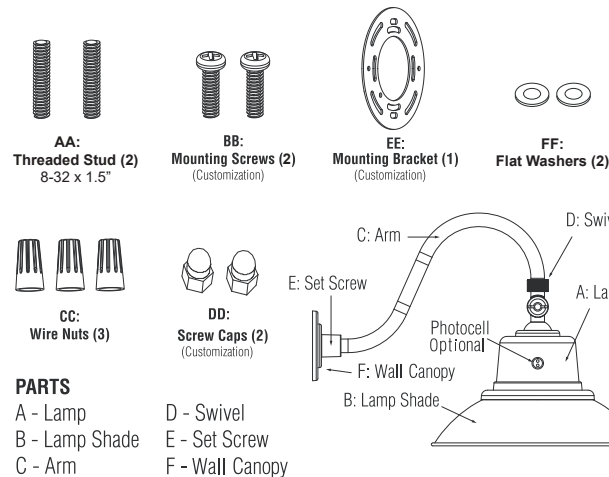
Pre-Installation

Planning Installation

Carefully remove the fixture from the carton and check that all parts are included. Be careful not to misplace any of the screws or parts needed for installing the fixture.

Hardware Included

(Note: Some parts may be pre-assembled)

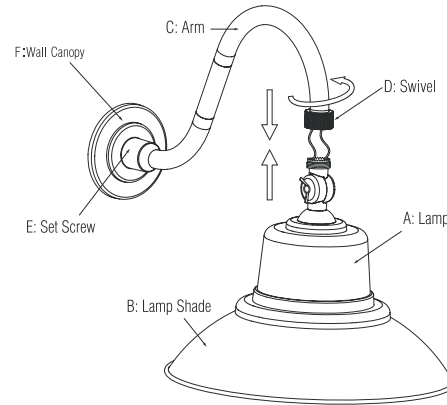


Wall-Mounted LED Barn Light Instruction Guide

Pre-Assemble Fixture

Connect Arm (C) and Lamp (A) through Swivel (D) and rotate Swivel to fasten two parts. Be careful not to misplace any of the hardware needed for installing the fixture.

Note: Tighten Swivel (D) until tight. Do not over tighten.



Installation

Caution: Turn OFF the circuit breaker and light switch before beginning installation.

Important: Do not use this fixture with dimmers or timers. This fixture is suitable for wall mount only. It is not suitable for ground mount installation. For best performance, mount the fixture 2.4-3.6 m / 8-12 ft above the ground.

Pull Out Wires Form Junction Box

Pull the electrical wires (Line, Neutral and Ground) out from the Junction Box.

Attach Power Supply Wire

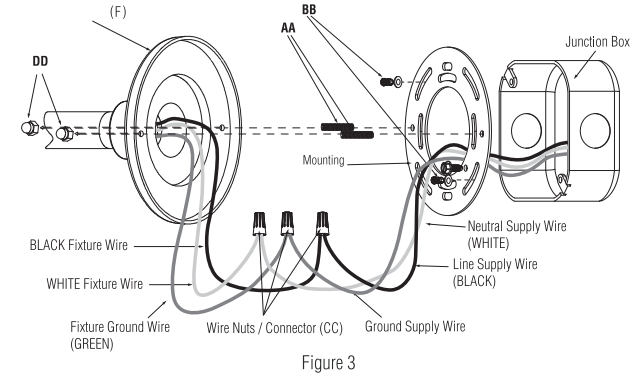
1. Connect the fixture ground wire (GREEN) to the ground supply wire using a wire nut (CC).
2. Connect the BLACK fixture wire to the BLACK (Line) supply wire using the wire nuts (CC).
3. Connect the WHITE fixture wire to the WHITE (Neutral) supply wire using the wire nuts (CC).
4. Carefully tuck all wiring back into the Junction Box, making sure there are no un-insulated wires. (Figure 3)

Note: For proper connection, place the wire nuts over the wires and twist clockwise until tight.

Wall-Mounted LED Barn Light Instruction Guide

Continued

Recommended: Wrap each wire nut with electrical tape (not included).



Screw In Mounting Plate

Attach Mounting Bracket (EE)

Attach Mounting Bracket (EE) to Junction Box using Mounting Screws With Washers (BB).

Make Power Connections

Connect wires as shown. Tuck all wiring into junction box.

Attach Wall Canopy (F)

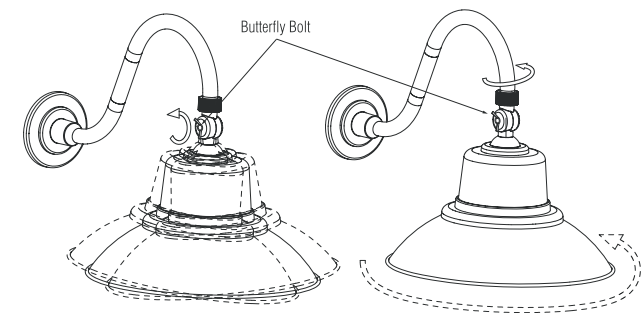
Install one screw cap (DD) onto each threaded stud (AA). Place and align holes with mounting bracket (EE). Insert threaded studs from the front of wall canopy into wall canopy over Junction Box, threaded holes in the mounting bracket. Tighten screw caps evenly.

Recommended: Apply silicon caulk around edge of mounting plate to make it fully weatherproof.

Adjust Fixture Angle

Following the arrow illustration to rotate swivel and butterfly bolt to adjust fixture angle that you want.

Note: Loosen Butterfly Bolt to adjust Lamp Shade and tighten when desired position is reached.

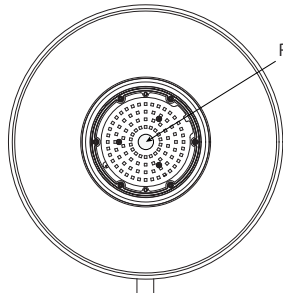


Wall-Mounted LED Barn Light Instruction Guide

Color temperature Setting

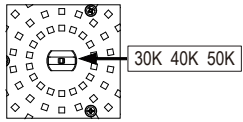
If you are buying a product with adjustable color temperature

Remove the round rubber plug on the front and adjust the desired color temperature prior to installation.



Remove the round rubber plug

WARNING!
Do not shift the switch
When the light is on.



Color Temperature selection by DIP -Switch

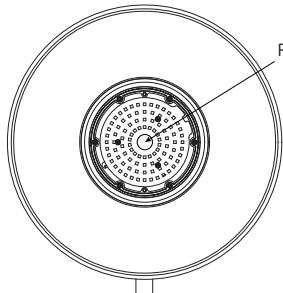
- 3 color temperatures 3000K/4000K/5000K adjustable.
- Please toggle the DIP switch to the right position for your favorite color temperature setting.

3000K warm white 4000K cool white 5000K day light

Power & Color temperature Setting

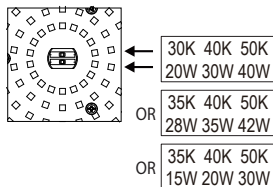
If you are buying a product with adjustable power & color temperature

Remove the round rubber plug on the front and adjust the desired power & color temperature prior to installation.



Remove the round rubber plug

WARNING!
Do not shift the switch
When the light is on.



Color Temperature selection by DIP -Switch

- 3 color temperatures 3000K/4000K/5000K

Power selection by DIP -Switch

- 3 power 20W/30W/40W adjustable
or 28W/35W/42W adjustable
or 15W/20W/30W adjustable

Wall-Mounted LED Barn Light Instruction Guide

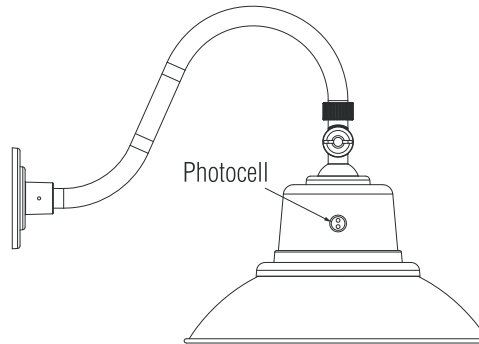
Photocell

This light includes an integrated Photocell which activates the light during low illumination (At Dusk) and de-activates the light when illuminated (At Dawn).

	LUX	PHOTOCELL	FIXTURE
DUSK	< 60 LUX	ACTIVATES	ON
	60-120 LUX	NO ACTION	ON
DAWN	> 120 LUX	ACTIVATES	OFF
	120-60 LUX	NO ACTION	OFF

Note: Please make sure photocell is oriented in a direction where it will receive daylight, and will not be blocked by miscellaneous shadows.

If you'd like to deactivate the photocell, simply un-screw the plastic part, using a philips head screw driver and disconnect the wires located inside the photocell-eye.



Troubleshooting

PROBLEM	POSSIBLE CAUSE	SOLUTION
Light will not come on.	A. Light switch is turned off. B. Fuse is blown or circuit breaker is turned off. C. Incorrect circuit wiring.	A. Turn light switch on. B. Replace fuse or turn circuit breaker on. C. Verify that fixture is wired properly.
Lights come on during the day.	A. Photocell covered.	A. Clean photocell with damp cloth.

USE AND CARE GUIDE

Wall-Mounted LED Barn Light

