

# Installation Instructions

## Hazardous location light (TLHBE)

### Important

READ INSTRUCTIONS CAREFULLY BEFORE INSTALLING. KEEP THIS INSTRUCTIONS FOR FUTURE REFERENCE.

Fixtures must be wired in accordance with the National electrical code and all applicable local codes. Proper grounding is required for safety.

THIS PRODUCT MUST BE INSTALLED IN ACCORDANCE WITH THE APPLICABLE INSTALLATION CODE BY A QUALIFIED ELECTRICIAN WHO IS FAMILIAR WITH THE CONSTRUCTION AND OPERATION OF THE PRODUCT AND THE HAZARDS INVOLVED.

**Warning:** Risk of fire or electric shock. High bay Light installation requires knowledge of luminaires and electrical systems. If not qualified, DO NOT try to install. Please contact an electrician.

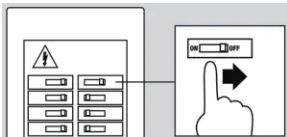
**Warning:** Risk of fire or electric shock. Suitable for wet locations. Make sure the power is off premier to install.

**Warning:** Risk of fire or electric shock. Suitable for non-insulated surface and frame. DO NOT cover fixture with insulation liner or similar material.

**Warning:** DO NOT install in unstable, loose or breakable surfaces.

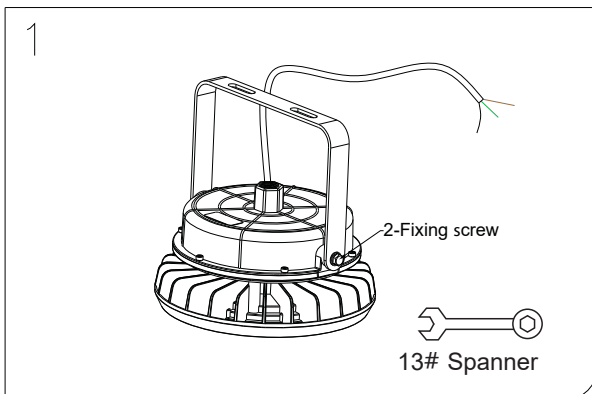
**Warning:** DO NOT let objects impact or exert force on the surface of the fixture.

### I Ceiling mounted

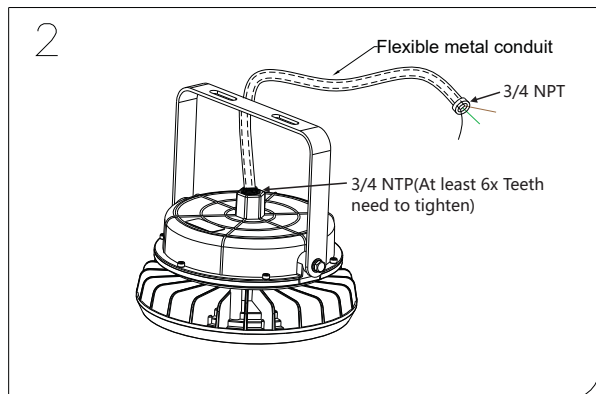


#### **WARNING**

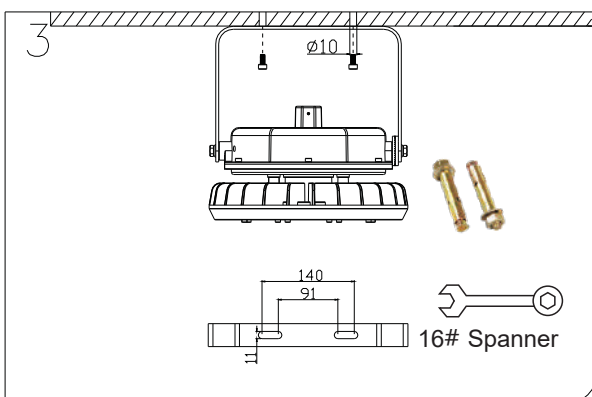
Risk of fire, Electric shock or personal injury  
Before installation, turn off power!



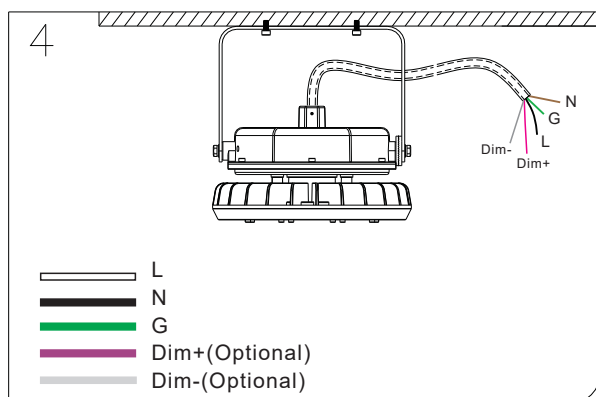
1. Take the fixture and accessory out from cartoon box, ghten 2x angle holder screw as Fig.1.



2. Flexible metal conduit install and ghten with the fixture.



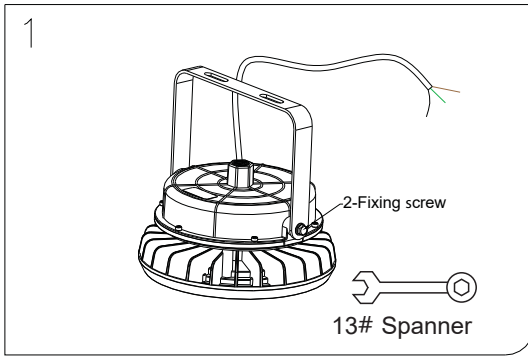
3. Drill 2x hole as Fig.2, the distance can be 91~140mm, fixing Ø10 expanded crews and bracket on ceiling.



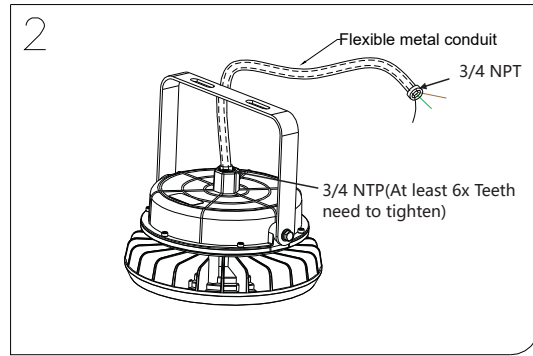
4. Connect the AC cable, Black cable connect to L, white cable connect to N, green cable connect to grounding.

Op onal: Purple cable connect to dim+, gray one connect to dim-.

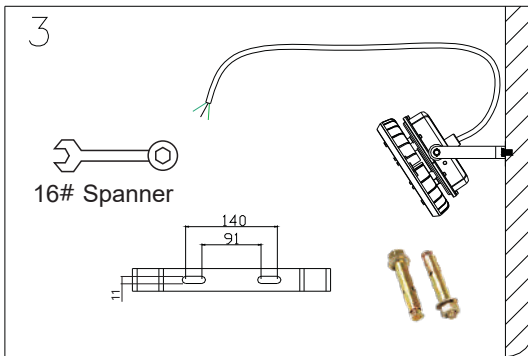
## II Wall mounted



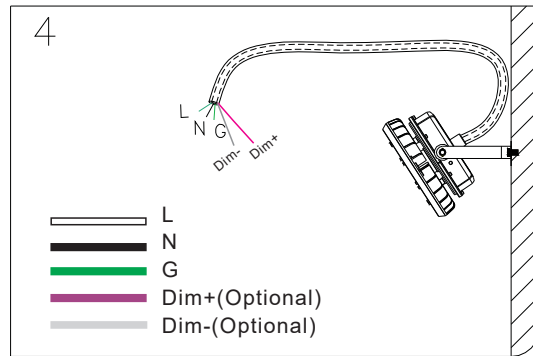
1. Take the fixture and accessory out from cartoon box, tighten 2x angle holder screw as Fig.1.



2. Flexible metal conduit install and tighten with the fixture.

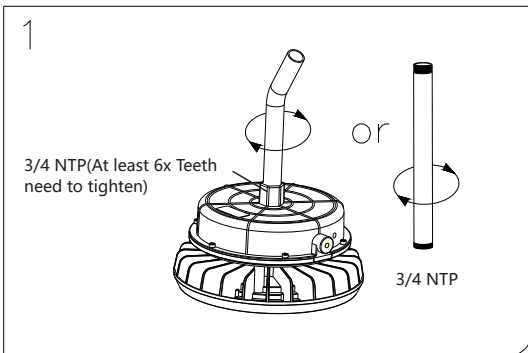


3. Drill 2x hole as Fig.2, the distance can be 91~140mm, fixing  $\varnothing 10$  expansion screws and bracket on ceiling.

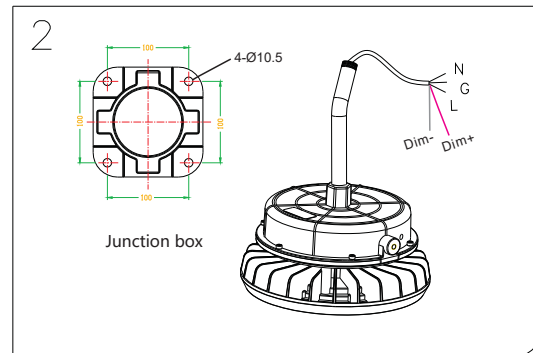


4. Connect the AC cable, Black cable connect to L, white cable connect to N, green cable connect to grounding.  
Optional: Purple cable connect to dim+, gray one connect to dim-.

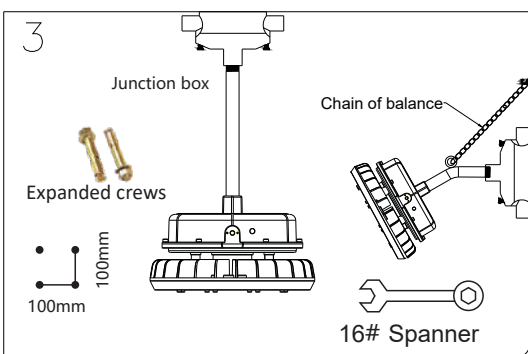
## III Pole mounted



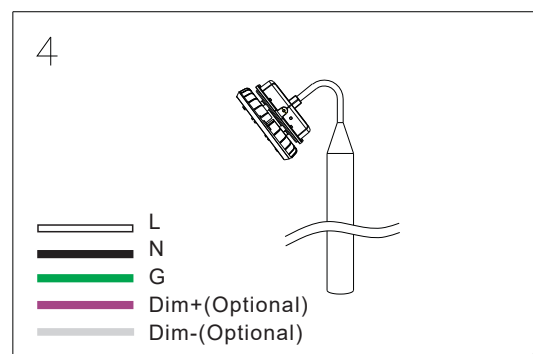
1. Take the fixture and pole accessory out from cartoon box, tighten pole as Fig.1.



2. Connect the AC cable to junction box, black cable connect to L, white cable connect to N, green cable connect to grounding.  
Optional: Purple cable connect to dim+, gray one connect to dim-.



3. Drill 4x  $\varnothing 10$ mm holes, as 100mm distance, install the junction box to the wall or ceiling as Fig.3, tighten the pole to the box, and adjust the chain of balance.



Optional: Install the fixture to the long pole after cable connecting.