

Installation Instructions

LED high bay light (TLHBH)

Important

READ INSTRUCTIONS CAREFULLY BEFORE INSTALLING. KEEP THIS INSTRUCTIONS FOR FUTURE REFERENCE

Fixtures must be wired in accordance with the National electrical code and all applicable local codes. Proper grounding is required for safety.

THIS PRODUCT MUST BE INSTALLED IN ACCORDANCE WITH THE APPLICABLE INSTALLATION CODE BY A QUALIFIED ELECTRICIAN WHO IS FAMILIAR WITH THE CONSTRUCTION AND OPERATION OF THE PRODUCT AND THE HAZARDS INVOLVED.

WARNING: Risk of fire or electric shock. High bay Light installation requires knowledge of luminaires and electrical systems. If not qualified, DO NOT try to install. Please contact an electrician.

Risk of fire or electric shock. Suitable for wet locations. Make sure the power is off permier to install.

Risk of fire or electric shock. Suitable for non-insulated surface and frame. DO NOT cover fixture with insulation liner or similar material.

DO NOT install in unstable, loose or breakable surfaces.

DO NOT let objects impact or exert force on the surface of the fixture.

The light source of this luminaire is not replaceable; when the light source reaches its end of life the whole luminaire shall be replaced.

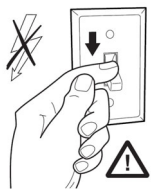
The external flexible cable or cord of this luminaire cannot be replaced; if the cord is damaged, the luminaire shall be destroyed.

You can help protect the environment!

Please remember to respect the local regulations; hand in the non-working electrical equipments to an appropriate waste disposal centre. The packaging material is recyclable. Dispose of the packaging in an environmentally friendly manner and make it available for the recyclable material collection-service.

Terminal block not included, the installation may require advice from qualified person. The terminal block shall conform to IEC 60998-2-1 Screw type of terminal block, suitable for wire with cross-sectional area of 1.0 sq mm After installation, the type protection against electric shock for terminal block must keep same as that of the whole lam

Installation and Electrical Connection



WARNING

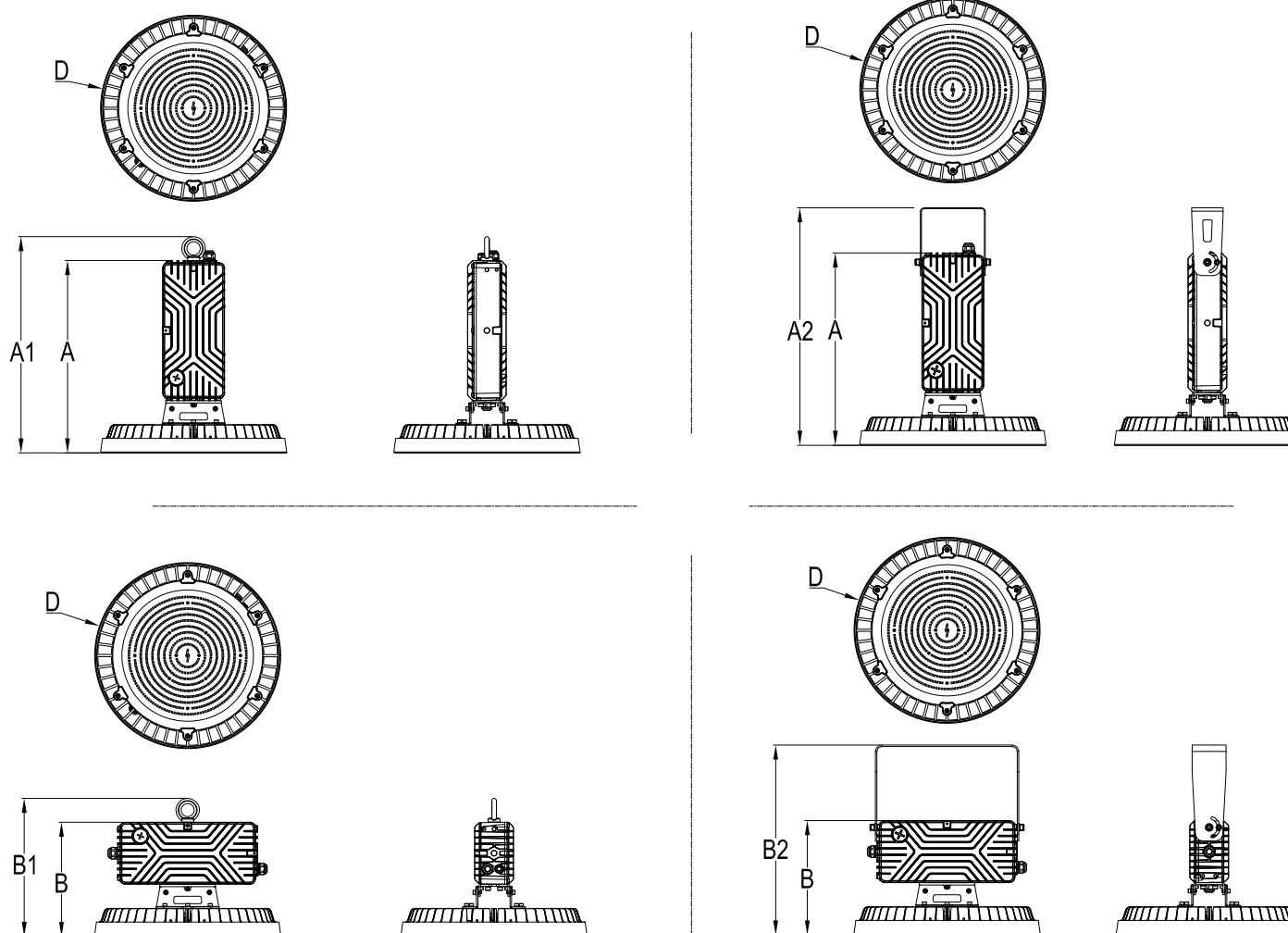
RISK OF FIRE, ELECTRIC SHOCK OR PERSONAL INJURY

Before installation, turn power off.



The installation steps are as follows:

Dimensional drawing:

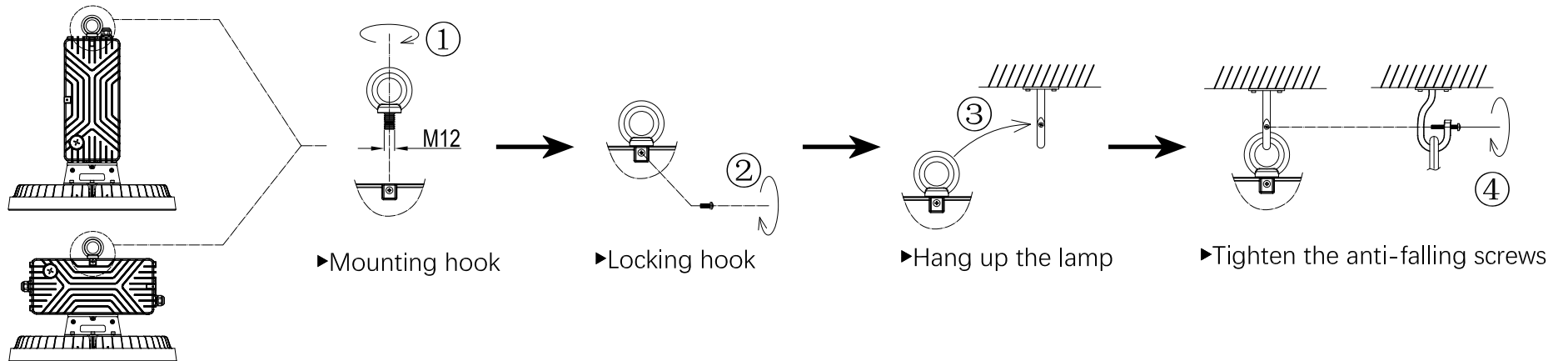


Model	A	A1	A2	B	B1	B2	D
TLHBHUS150	397mm[15.64in]	446mm[17.58in]	490mm[19.31in]	236mm[9.29in]	285mm[11.22in]	392mm[15.44in]	384.5mm[15.14in]
TLHBHUS200	402mm[15.83in]	452mm[17.80in]	495mm[19.51in]	241mm[9.49in]	290mm[11.42in]	397mm[15.63in]	489.5mm[19.27in]

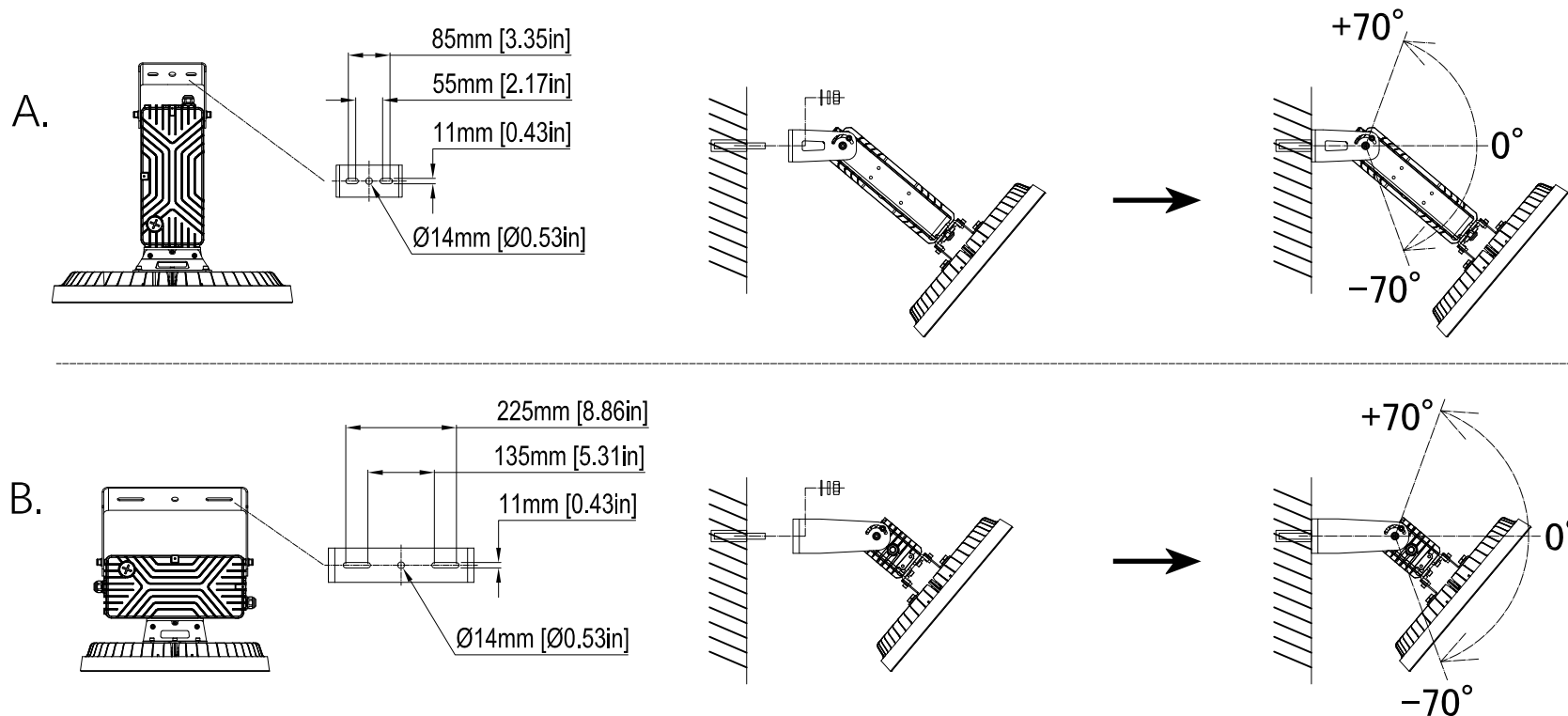
Installation and Electrical Connection

2 The installation steps are as follows:

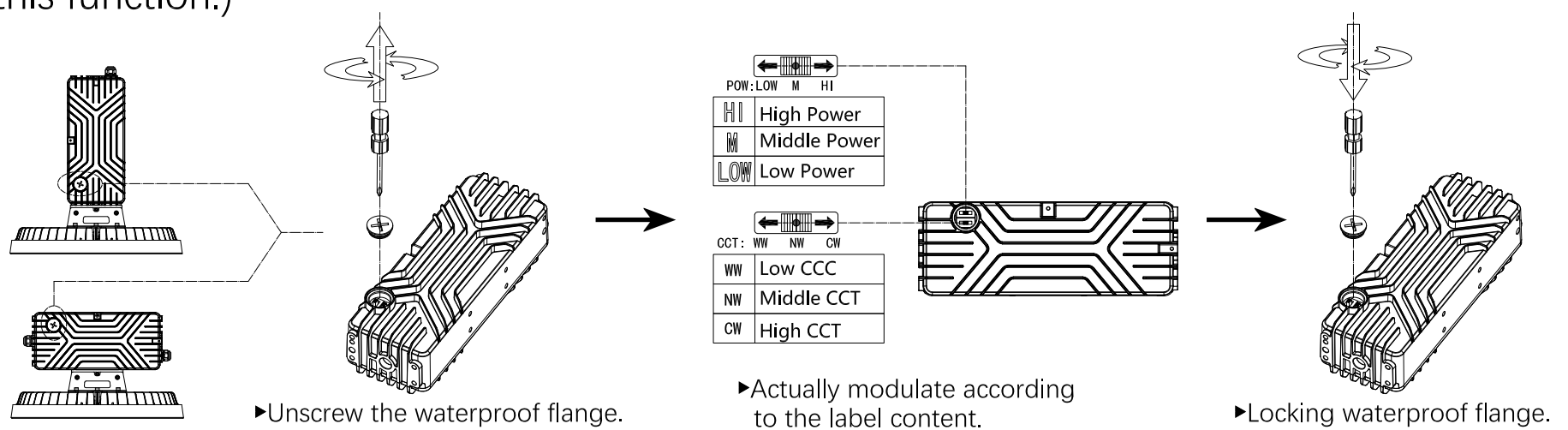
※Top mounting



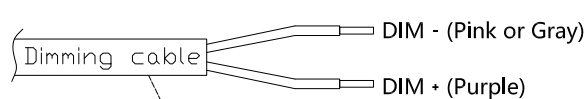
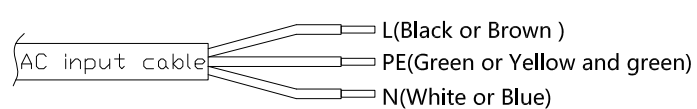
※U-shaped bracket installation (The U-shaped bracket is an optional accessory.)



※Modulation of power/CCT(Only the power adjustment/CCT adjustment version has this function.)



※Connecting lamp cable



Only the dimmable version has dimmable light.

⚠ The cable connection position must be waterproof