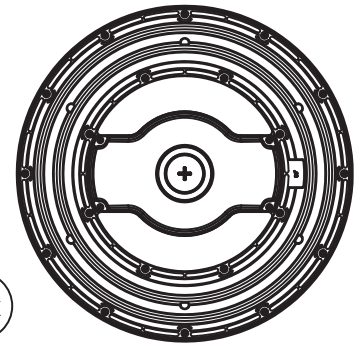
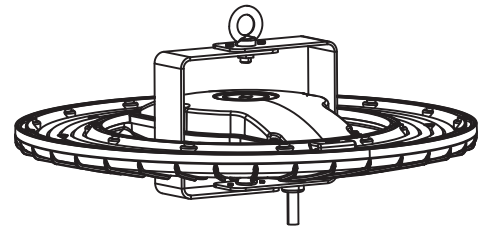
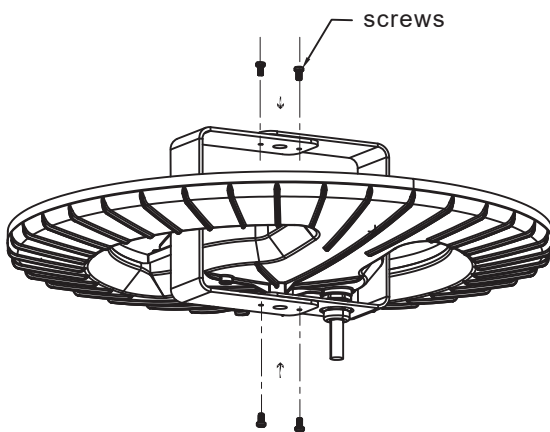


- NSF LED UFO HIGH BAY features an easy-to-clean, smooth dustproof surface with a watertight seal that can withstand frequent wash downs and is built with safety and sanitation in mind. Corrosion-resistant aluminum housing provides excellent heat dissipation. Comes with a 3.9ft cord to make the installation process easier. It is designed to operate on 120-277V or 120-347V or 277-480V circuits with a 0-10V dimmable driver.
- IP69K rating provides protection against ingress of dust and high temperature, high pressure water.
- NSF - Certified by the National Sanitation Foundation as safe for food service processing facilities that require a higher level of sanitation. (NSF certified without emergency power supply)

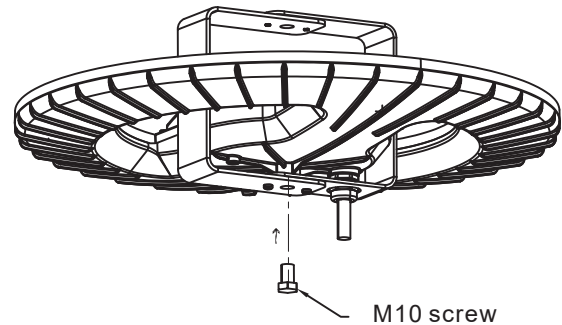
WARNING: Please ensure that the luminaire is powered OFF before adjusting the DIP switches for CCT or power output.



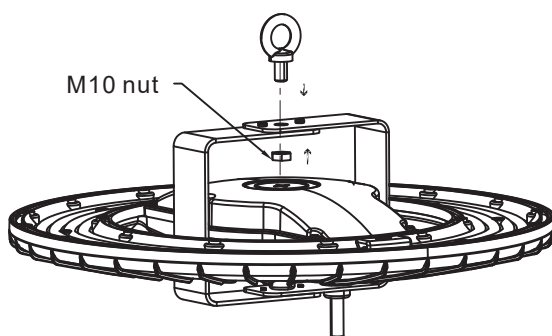
Bracket Installation



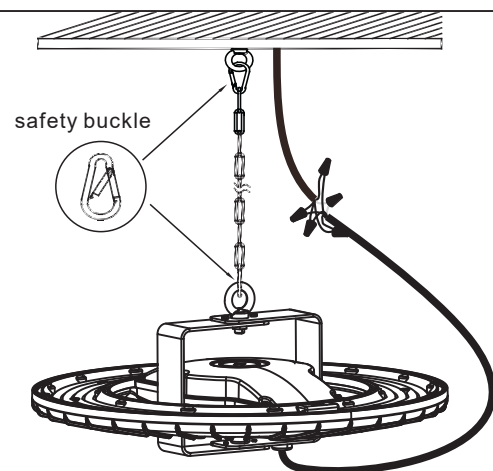
1、 Secure the bracket using four screws.



2、 Secure the bracket to the lamp body using an M10 screw.

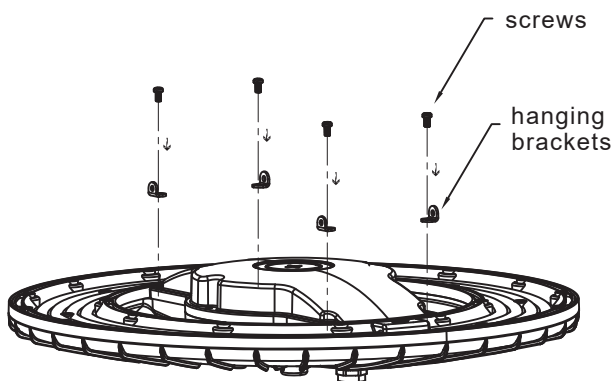


3、 Pass the lifting ring through the bracket and secure it with an M10 nut.

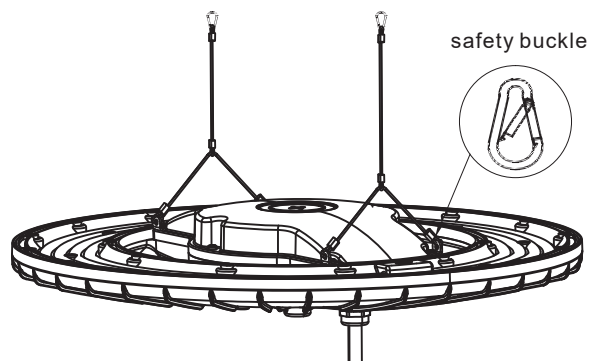


4、 Secure one end of the chain to the light fixture's hanging ring with a safety buckle, and the other end to the ceiling. Then connect the light fixture's power cord to the corresponding AC power line. Installation complete.

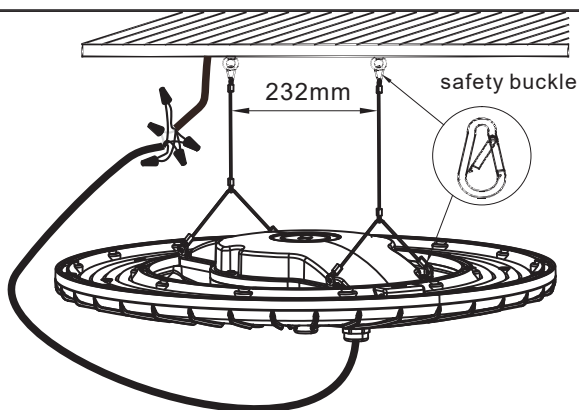
Rope Installation



1、 Use four screws to install the four hanging brackets onto the fixture body.



2、 Attach the end of the safety rope with two safety buckles to the hook holder.



3、 Hang the light fixtures, with safety ropes installed, onto the pre-installed ceiling rings. The recommended ring spacing for ceiling installation is 232mm. Then connect the light fixture's power cord to the corresponding AC power line. Installation complete.

Wiring Diagram

Universal voltage driver permits operation at 120V-277V or 120V-347V or 277V-480V, 50 or 60 Hz. For 0-10 Dimming, follow the wiring directions

1. Connect the Black/Brown fixture lead to the LINE supply lead.
2. Connect the White/Blue fixture lead to the COMMON supply lead.
3. Connect the Green/Yellow wire from the fixture to supply ground.
Do NOT connect GROUND of the dimming fixture to the output.
4. Connect the purple fixture lead to the DIM V+ lead.
5. Connect the pink fixture lead to the DIM V- lead.

