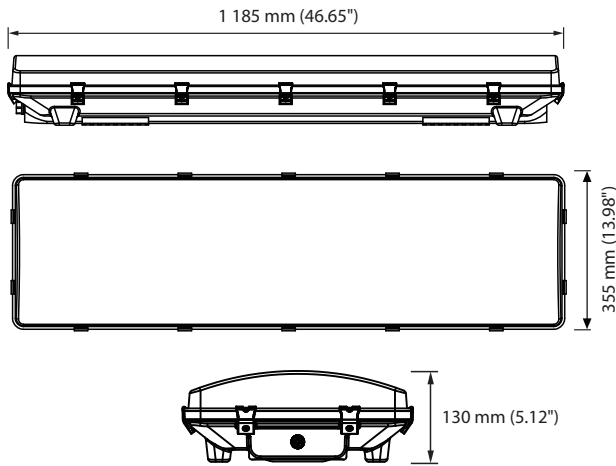




TLHPUS4F150AD IP66 / NEMA4X



Specifications TLHPUS4F150AD

Electrical Specifications

Model No.	TLHPUS4F150AD
DLC ID	S-XMWBEF
Power (W) selectable $\pm 10\%$	100W / 120W / 150W
Input Voltage (V)	AC120-347V, 50/60Hz
Efficacy $\pm 3\%$	140 lm/W
Power Factor (PF)	0.94
Surge protection	N/D
Total harmonic distortion	<20%
Dimmable	0-10V

Photometric Specifications

CRI	83
CCT selectable	4000K / 5000K / 6500K
Beam angle	120°
Light Output $\pm 3\%$	Min: 14 000 lm Max: 21 000 lm

Mechanical Specifications

IP Rating	IP66 / NEMA4X
Material	Polycarbonate
Lens	Frosted
Net Weight	N/D
Product size (mm)	$\pm 1185 \times 355 \times 130$ mm
Product size (in)	$\pm 46.65" \times 13.98" \times 5.12"$
Operating Humidity	10% - 90%
Operating Temperature	-40°C ~ 55°C
Lumen maintenance	>81% at 100 000 hours

Product description:

- Selectable power and CCT.
- Lightweight body material, corrosion resistant, waterproof and dustproof.
- Replaces any conventional high-bay fixture. Installation: Ceiling, wall or suspension.
- Perfect replacement for the whole set of T8 and T5 fluorescent lighting fixture.
- Saves on energy consumption compared to fluorescent lighting.
- Warranty: 5 Years.
- It could be fitted with sensor.
- Clear lens available on request.

Applications:

Suitable for farms, food processing sectors, warehouses, wet locations etc.

Accessoairy not included



info@technilight.ca

WWW.TECHNILIGHT.CA