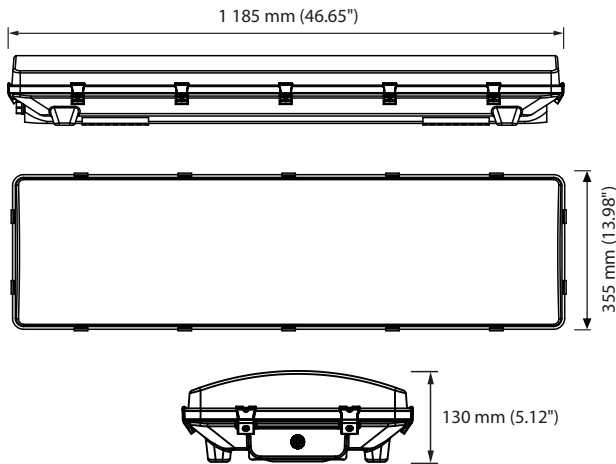




# TLHPUS4F200AD IP66 / NEMA4X



## Specifications TLHPUS4F200AD

### Electrical Specifications

Model No.	TLHPUS4F200AD
DLC ID	S-IVMJBT
Power (W) selectable $\pm 10\%$	140W / 170W / 200W
Input Voltage (V)	AC120-347V, 50/60Hz
Efficacy $\pm 3\%$	160 lm/W
Power Factor (PF)	0.93
Surge protection	N/D
Total harmonic distortion	<15%
Dimmable	0-10V

### Photometric Specifications

CRI	83
CCT selectable	4000K / 5000K / 6500K
Beam angle	120°
Light Output $\pm 3\%$	Min: 22 400 lm Max: 32 000 lm

### Mechanical Specifications

IP Rating	IP66 / NEMA4X
Material	Polycarbonate
Lens	Frosted
Net Weight	N/D
Product size (mm)	$\pm 1185 \times 355 \times 130$ mm
Product size (in)	$\pm 46.65" \times 13.98" \times 5.12"$
Operating Humidity	10% - 90%
Operating Temperature	-40°C ~ 55°C
Lumen maintenance	>81% at 100 000 hours

## Product description:

- Selectable power and CCT.
- Lightweight body material, corrosion resistant, waterproof and dustproof.
- Replaces any conventional high-bay fixture. Installation: Ceiling, wall or suspension.
- Perfect replacement for the whole set of T8 and T5 fluorescent lighting fixture.
- Saves on energy consumption compared to fluorescent lighting.
- Warranty: 5 Years.
- It could be fitted with sensor.
- Clear lens available on request.

## Applications:

Suitable for farms, food processing sectors, warehouses, wet locations etc.

### Accessoairy not included



**TLHPSR**  
4' suspension kit

[info@technilight.ca](mailto:info@technilight.ca)

[WWW.TECHNILIGHT.CA](http://WWW.TECHNILIGHT.CA)