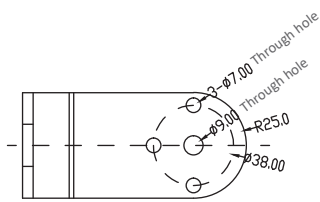
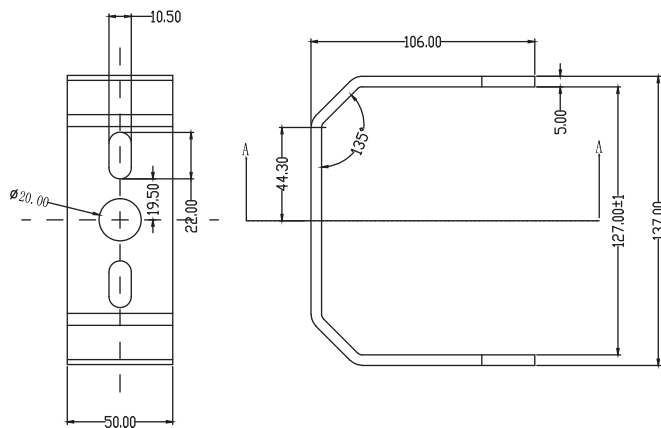


Pictures for illustration purpose only

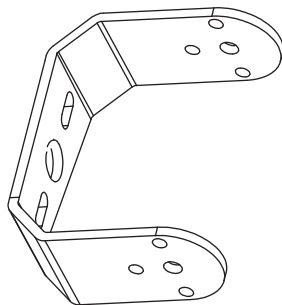
## Dimensions (mm)

Weight: 1.38 kg

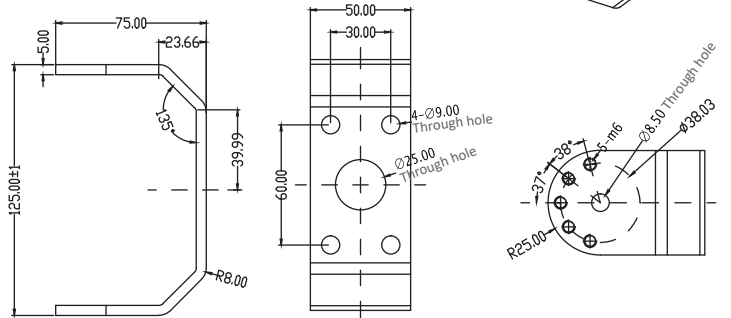
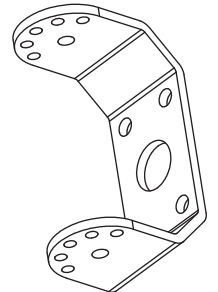
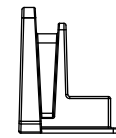
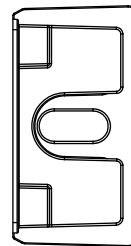
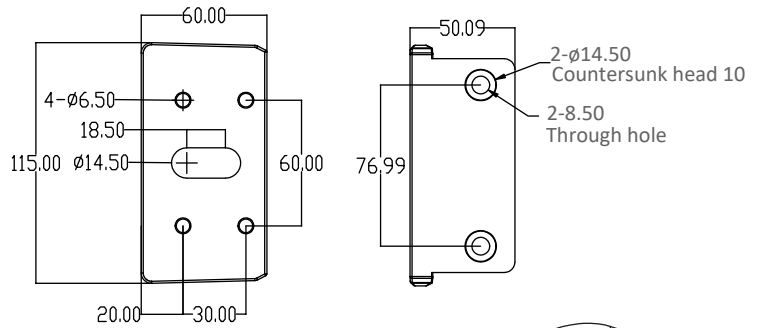
### LS-FT-TM



Section A-A



### Bracket Base



[info@technilight.ca](mailto:info@technilight.ca)

[WWW.TECHNILIGHT.CA](http://WWW.TECHNILIGHT.CA)