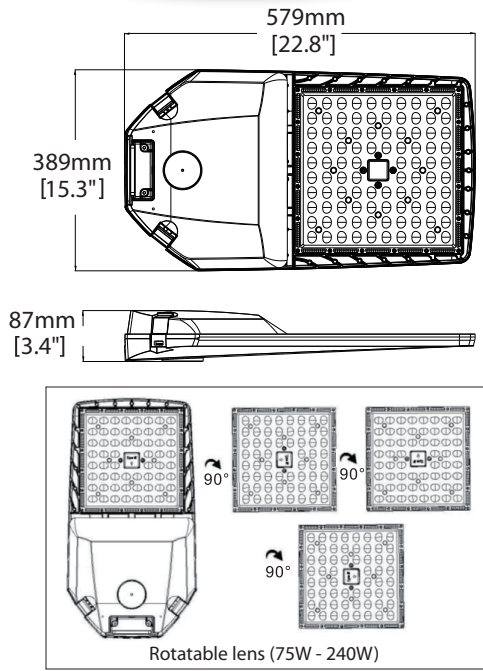




TLLAU240T4PBK IP65 / NEMA 4X

Parking and wide area



Optional accessories available



Specifications TLLAU240T4PBK

Electrical Specifications

Model No.	TLLAU240T4PBK
DLC ID	PFRBFH9C
Power (W) ± 10%	240 W (238.5 W)
Input Voltage (V)	120-347V, 50/60Hz
Efficacy ± 3%	152.76 lm/W
Power Factor (PF)	0.905
Dimmable	0-10V
Replace MH/HPS	650 W
Surge protection	6 kv
Total harmonic distortion	≤15%

Photometric Specifications

CRI	72
CCT	5 000 K
Beam angle	Type IV Medium
Light Output ± 3%	36 432 lm
BUG rating	B3-U0-G5

Mechanical Specifications

IP Rating	IP65 / NEMA 4X
Material	Aluminum
Lens	PC
Net Weight	6.7 kg
Product size (mm)	± 579 x 389 x 87 mm
Product size (inch)	± 22.8 x 15.3 x 3.4 in
EPA	2.39 ft ²
Operating Humidity	10% - 90%
Operating Temperature	-40°C ~ 45°C
Lumen maintenance	N/A



Product Description:

- Light and slim housing.
- Optional photocell. Installation on top of the luminaire. Drilling required.
- Optional motion sensor.
- Easily replace traditional MH or HPS luminaire fixture.
- Powerful light efficacy.
- Saves in electricity consumption compared to fluorescent lighting fixture.
- Other CCT available on special request.
- Color: Black. Other colors available on special request.
- Warranty: 5 Years.

Applications:

Outdoor parking and wide area.

info@technilight.ca

WWW.TECHNILIGHT.CA