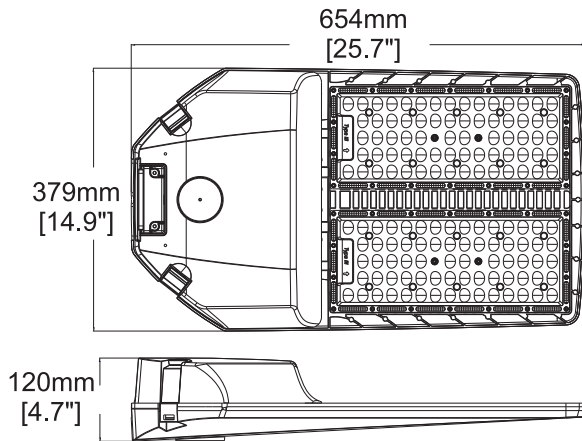




TLLAU300T4NBK IP65 / NEMA 4X

Parking and wide area



Specifications TLLAU300T4NBK

Electrical Specifications

Model No.	TLLAU300T4NBK
DLC ID	PG4RZSIY
Power (W) ± 10%	300 W (299.7 W)
Input Voltage (V)	120-347V, 50/60Hz
Efficacy ± 3%	148.7 lm/W
Power Factor (PF)	0.932
Dimmable	0-10V
Replace MH/HPS	750 W
Surge protection	6 kv
Total harmonic distortion	≤15%

Photometric Specifications

CRI	73
CCT	4 000 K
Beam angle	Type IV Medium
Light Output ± 3%	44 563 lm
BUG rating	B3-U0-G5

Mechanical Specifications

IP Rating	IP65 / NEMA 4X
Material	Aluminum
Lens	PC
Net Weight	10.1 kg
Product size (mm)	± 654 x 379 x 120 mm
Product size (inch)	± 25.7 x 14.9 x 4.7 in
EPA	2.95 ft ²
Operating Humidity	10% - 90%
Operating Temperature	-40°C ~ 45°C
Lumen maintenance	>79% at 100 000 hours

Optional accessories available



Product Description:

- Light and slim housing.
- Optional photocell. Installation on top of the luminaire. Drilling required.
- Optional motion sensor.
- Easily replace traditional MH or HPS luminaire fixture.
- Powerful light efficacy.
- Saves in electricity consumption compared to fluorescent lighting fixture.
- Other CCT available on special request.
- Color: Black. Other colors available on special request.
- Warranty: 5 Years.

Applications:

Outdoor parking and wide area.

info@technilight.ca

WWW.TECHNILIGHT.CA