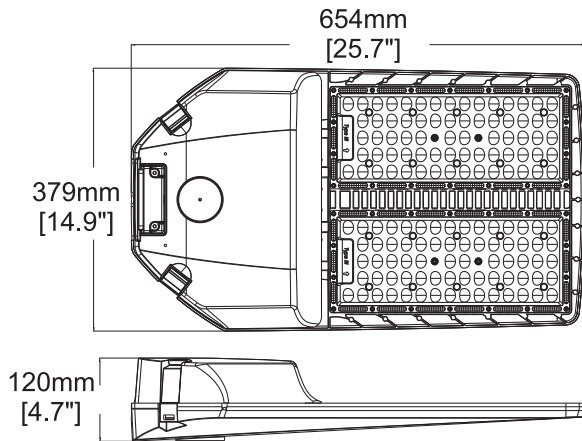




TLLAU300T4PBK IP65 / NEMA 4X

Parking and wide area



Specifications TLLAU300T4PBK

Electrical Specifications

| | |
|---------------------------|-------------------|
| Model No. | TLLAU300T4PBK |
| DLC ID | PUUGC3LX |
| Power (W) ± 10% | 300 W (299.7 W) |
| Input Voltage (V) | 120-347V, 50/60Hz |
| Efficacy ± 3% | 152.72 lm/W |
| Power Factor (PF) | 0.932 |
| Dimmable | 0-10V |
| Replace MH/HPS | 750 W |
| Surge protection | 6 kv |
| Total harmonic distortion | ≤15% |

Photometric Specifications

| | |
|-------------------|----------------|
| CRI | 72 |
| CCT | 5 000 K |
| Beam angle | Type IV Medium |
| Light Output ± 3% | 45 769 lm |
| BUG rating | B3-U0-G5 |

Mechanical Specifications

| | |
|-----------------------|------------------------|
| IP Rating | IP65 / NEMA 4X |
| Material | Aluminum |
| Lens | PC |
| Net Weight | 10.1 kg |
| Product size (mm) | ± 654 x 379 x 120 mm |
| Product size (inch) | ± 25.7 x 14.9 x 4.7 in |
| EPA | 2.95 ft ² |
| Operating Humidity | 10% - 90% |
| Operating Temperature | -40°C ~ 45°C |
| Lumen maintenance | >79% at 100 000 hours |

Optional accessories available



Product Description:

- Light and slim housing.
- Optional photocell. Installation on top of the luminaire. Drilling required.
- Optional motion sensor.
- Easily replace traditional MH or HPS luminaire fixture.
- Powerful light efficacy.
- Saves in electricity consumption compared to fluorescent lighting fixture.
- Other CCT available on special request.
- Color: Black. Other colors available on special request.
- Warranty: 5 Years.

Applications:

Outdoor parking and wide area.

info@technilight.ca

WWW.TECHNILIGHT.CA