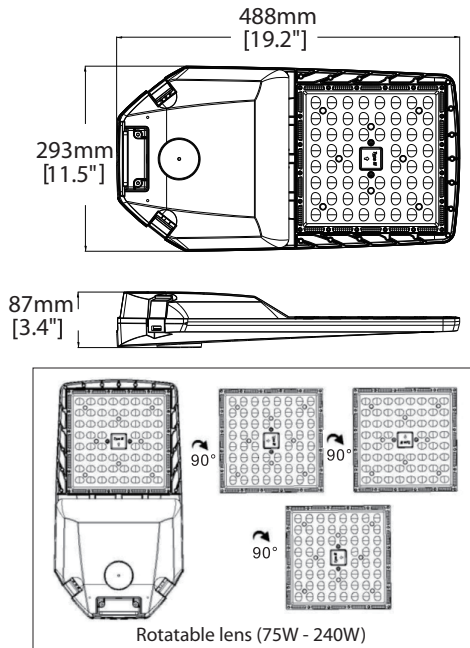




# TLLAU75T4NBK IP65 / NEMA 4X

Parking and wide area



Optional accessories available



## Specifications TLLAU75T4NBK

### Electrical Specifications

Model No.	TLLAU75T4NBK
DLC ID	P4850MVG
Power (W) ± 10%	75 W (75.9 W)
Input Voltage (V)	120-347V, 50/60Hz
Efficacy ± 3%	147.16 lm/W
Power Factor (PF)	0.889
Dimmable	0-10V
Replace MH/HPS	200 W
Surge protection	6 kv
Total harmonic distortion	≤20%

### Photometric Specifications

CRI	72
CCT	4 000 K
Beam angle	Type IV Medium
Light Output ± 3%	11 173 lm
BUG rating	B3-U0-G5

### Mechanical Specifications

IP Rating	IP65 / NEMA 4X
Material	Aluminum
Lens	PC
Net Weight	5 kg
Product size (mm)	± 488 x 293 x 87 mm
Product size (inch)	± 19.2 x 11.5 x 3.4 in
EPA	1.92 ft <sup>2</sup>
Operating Humidity	10% - 90%
Operating Temperature	-40°C ~ 45°C
Lumen maintenance	N/A



## Product Description:

- Light and slim housing.
- Optional photocell. Installation on top of the luminaire. Drilling required.
- Optional motion sensor.
- Easily replace traditional MH or HPS luminaire fixture.
- Powerful light efficacy.
- Saves in electricity consumption compared to fluorescent lighting fixture.
- Other CCT available on special request.
- Color: Black. Other colors available on special request.
- Warranty: 5 Years.

## Applications:

Outdoor parking and wide area.

[info@technilight.ca](mailto:info@technilight.ca)

[WWW.TECHNILIGHT.CA](http://WWW.TECHNILIGHT.CA)