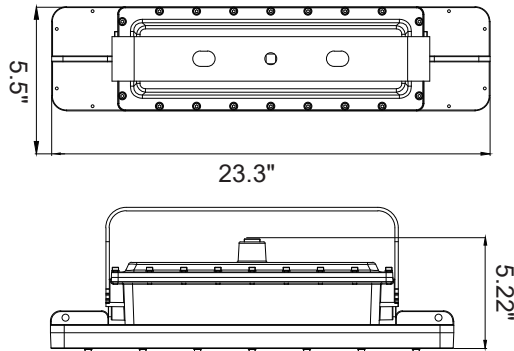


Explosion proof



Specifications TLLEP2C60H120P

Electrical specifications

| | |
|-------------------|---------------------|
| Model No. | TLLEP2C60H120P |
| Power (W) ± 10% | 60 W |
| Input Voltage (V) | AC200-480V, 50/60Hz |
| Efficacy ± 3% | 140 lm/W |
| Power Factor (PF) | 0.9 |
| Surge protection | N/D |

Photometric specifications

| | |
|-------------------|----------|
| CRI | ≥70 |
| CCT | 5 000 K |
| Beam angle | 120° |
| Light Output ± 3% | 8 400 lm |
| Dimmable | 0-10 V |

Mechanical specifications

| | |
|-----------------------|------------------------|
| IP Rating | IP65 |
| Material | Aluminum |
| Lens | Clear tempered glass |
| Net Weight | 12 kg |
| Product size (mm) | ± 584.2 x 127 x 126 mm |
| Product size (inch) | ± 23.3" x 5.5" x 5.22" |
| Operating Humidity | N/D |
| Operating Temperature | -40°C ~ 60°C |
| Lifespan (L70) | >150 000 hours |

Product description:

- UL-844 Dangerous places
CAN / CSA-C22.2 NO. 137
CLASS 1 DIV 1 GROUP C, D
CLASS 1 DIV 2 GROUP A, B, C, D
CLASS 2 DIV 1 GROUP E, F, G
CLASS 2 DIV 2 GROUP F, G
CLASS 3
- Savings on energy consumption compared to HPS / MH lighting.
- Warranty: 5 years.
- Other CCT available on request.
- Color: Gray.

Applications:

Areas with risk of explosion (gas emissions), areas with vapor or dust, petrochemical complexes, mines, etc.

Designed for wet locations.
Indoor and outdoor.